

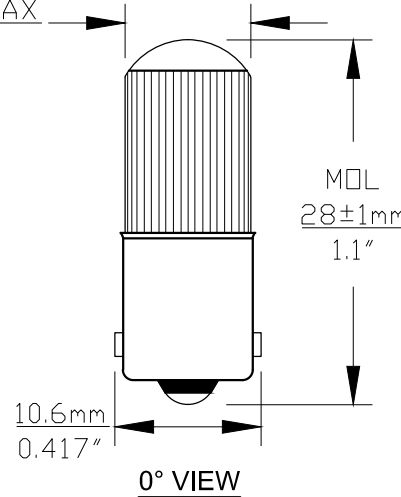


Since 1959

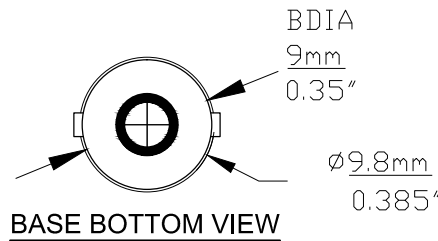
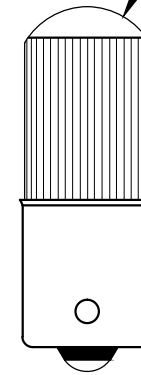
PART NO.	BASE TYPE	EMITTED COLOR	TEST VOLTAGE	CURRENT (mA)	WATTS	AVERAGE CURRENT LIFE HOURS	REVISIONS			
							REV #	DESCRIPTION	DATE	APPROVED
L1048MB-W	Miniature Bayonet (BA9s)	WHITE	48.0V	5mA ±10%	0.24W ±10%	10,000	1	ISSUED	03/11/2024	M.L.

LUMINOUS FLUX	COLOR TEMPERATURE	X,Y COORDINATE/ DOMINANT WAVELENGTH	LIGHT EFFICACY
Unit: LM Error margin: ±25%	Unit: K		Unit: LMW
3	6,000	X:0.31-0.32 Y:0.33-0.34	12.5

DIA
9.2mm MAX
0.36"



T-3 1/4
BULB SHAPE
Plastic



UNLESS OTHERWISE SPECIFIED: DIMENSIONS ARE IN INCHES TOLERANCES		CEC INDUSTRIES LTD			
DECIMALS .XX ± .05		599 BOND STREET		LINCOLNSHIRE, IL 60069	
ANGULAR .XXX ± .010		TITLE LIGHT BULB NO. L1048MB-W		DATE 03/11/2024	
FRACTIONAL ±1/64		SIZE A	FSCM NO.	DWG NO. L1048MB-W	REV 1
DRAWN ROSE MEDINA	DATE 03/11/2024	SCALE	PLOT SCALE	SHEET 1 OF 1	
CHECKED		MATERIAL		FILE L1048MB-W.pdf	
DESIGN		DRAWING NOT TO SCALE			