

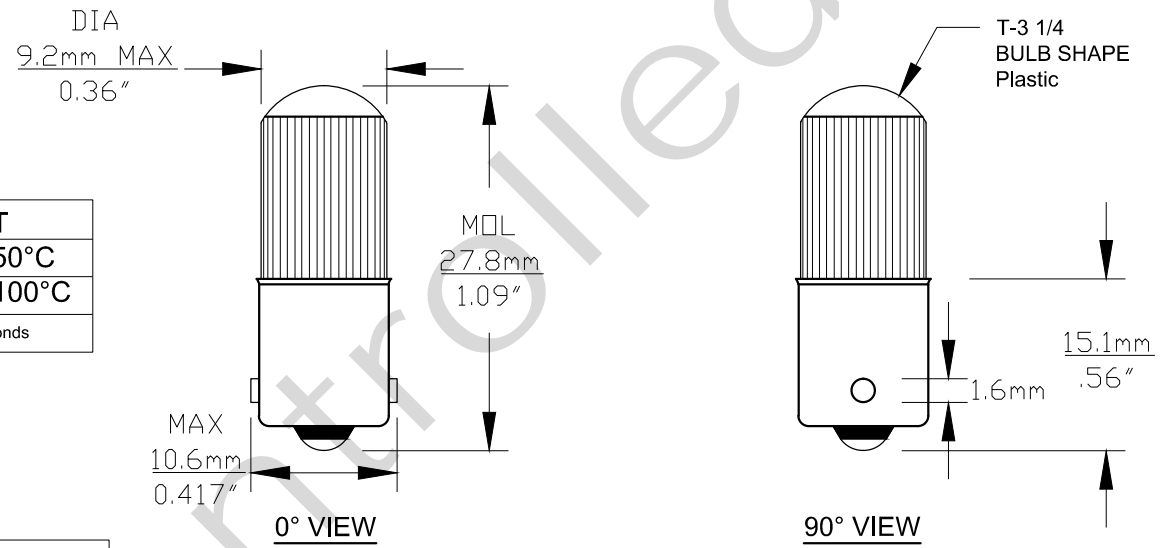


PART NO.	BASE TYPE	DESIGN VOLTS	DESIGN AMPS	WATTS	AVERAGE LIFE HOURS	REVISIONS			
						REV #	DESCRIPTION	DATE	APPROVED
L1060MB Series (See Below)	Miniature Bayonet (BA9s)	60.0V AC/DC	5mA ±10%	0.3W	10,000	1	ISSUED	07/15/2013	D.C.
						2	ADDED A, B, W & WW/REV WATTS & DIMMENSIONS	08/10/2018	R.M.
						3	REVISED mA, W, WAVELENGTH, K TEMP, INT	08/06/2021	M.L.

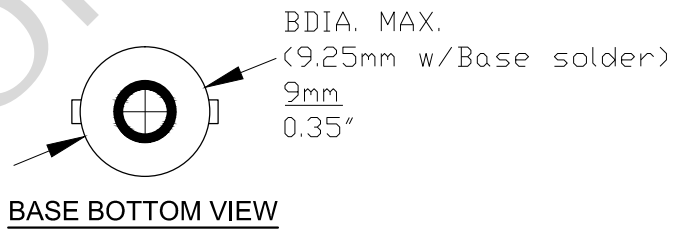
Electronics and Optical Characteristics: Ta=25°C

TEST CONDITION:
 Power: 0.3W
 Current: 5±10%mA

PARAMETER	MAX UNIT
Operating Temperature Range	-20°C to +50°C
Storage Temperature Range	-40°C to +100°C
Lead Solder Temperature 1.6mm Below Package 260°C for 5 Seconds	



PART NO.	EMITTING COLOR	LUMINOUS INTENSITY	EFFICACY	DOMINANT WAVELENGTH	
		Unit: LM Error margin: ±5%		Unit: LM/W	Unit: nm
L1060MB-W	SUPER WHITE	7	9.72	X:0.31	Y:0.33
L1060MB-WW	WARM WHITE	5	6.94	X:0.43	Y:0.39
L1060MB-A	AMBER	2	2.78	590~595	
L1060MB-B	ULTRA BLUE	1	1.39	465~470	
L1060MB-G	ULTRA GREEN	6	8.33	525~530	
L1060MB-R	SUPER RED	2	2.78	625~630	



PART NO.	COLOR TEMPERATURE	SINGLE LED INTENSITY	VIEWING ANGLE
	Unit: K	Unit: mcd (1m)	Unit: deg
L1060MB-W	6500	2100	89.0
L1060MB-WW	3000	1800	89.0
L1060MB-A	1608	750	111.7
L1060MB-B	>=100000	450	103.2
L1060MB-G	7698	1650	110.5
L1060MB-R	1001	900	90.3



UNLESS OTHERWISE SPECIFIED: DIMENSIONS ARE IN INCHES TOLERANCES				CEC INDUSTRIES LTD			
DECIMALS .XX ± .05		ANGULAR ± 0.5°		599 BOND STREET		LINCOLNSHIRE, IL 60069	
.XXX ± .010		FRACTIONAL ±1/64		TITLE LIGHT BULB NO. L1060MB-Series			
DRAWN DENNIS CLARK	DATE 07/15/2013	SIZE A	FSCM NO.	DWG NO. L1060MB-Series	REV 3		
CHECKED		SCALE	PLOT SCALE	SHEET 1 OF 1			
DESIGN		FILE L1060MB-Series.pdf	DRAWING NOT TO SCALE				