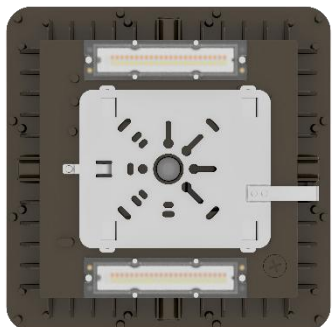
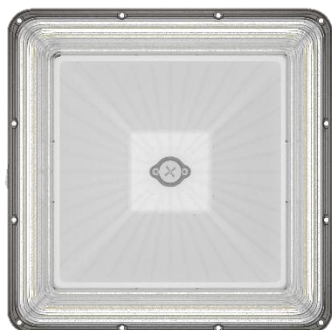


LED Multi Wattage Multi CCT 13" Square Canopy Light



CONSTRUCTION:

Heavy die-cast aluminum housing with polyester powder-coated finish

OPTICAL SYSTEM:

2835 LED chips, 140° beam angle.

WARRANTY:

5-year limited warranty. Actual performance may differ as a result of end-user environment and application.

ELECTRICAL:

120-277V input

Operating Temperature:

-40°C to 40°C, -40°F to 104°F

INSTALLATION & MOUNTING:

Wall Mounting for easy installation.

CONTROLS & DIMMING:

1-10V dimming comes standard.

FEATURES

- Default Wattage: 100W
- Default CCT: 5,000K
- IP65 & IK08 double protection
- Easy installation and maintenance
- Corrosion and rust proof
- 100,000 hours lifetime (Ta=30°C@L80)

SUITABLE APPLICATIONS

- Warehouses
- Stadiums
- Factories
- Parking Lots
- Shopping Malls
- Supermarkets
- Logistic Centers
- Auto dealerships



OPTIONAL ACCESSORIES:



Microwave Bluetooth Sensor
LOC-ACY-S-MWS-BT-01-G1
(Compatible with App)



Microwave Sensor
LOC-ACY-S-MWS-01-G1
(Compatible with LOC-RC-WHITE-G1)



PIR Sensor
LOC-ACY-S-PIRS-01-G1
(Compatible with LOC-RC-WHITE-G1)



PIR Bluetooth Sensor
LOC-ACY-S-PIRS-BT-01-G1
(Compatible with App)



Remote Control
LOC-RC-WHITE-G1



Emergency
LOC-EMDR-18W-AC-C

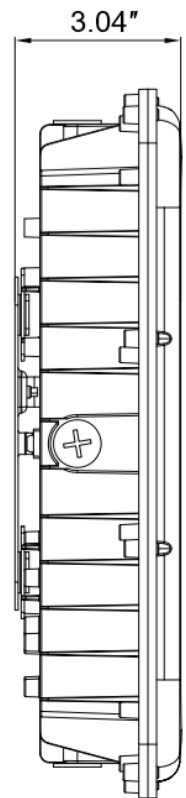
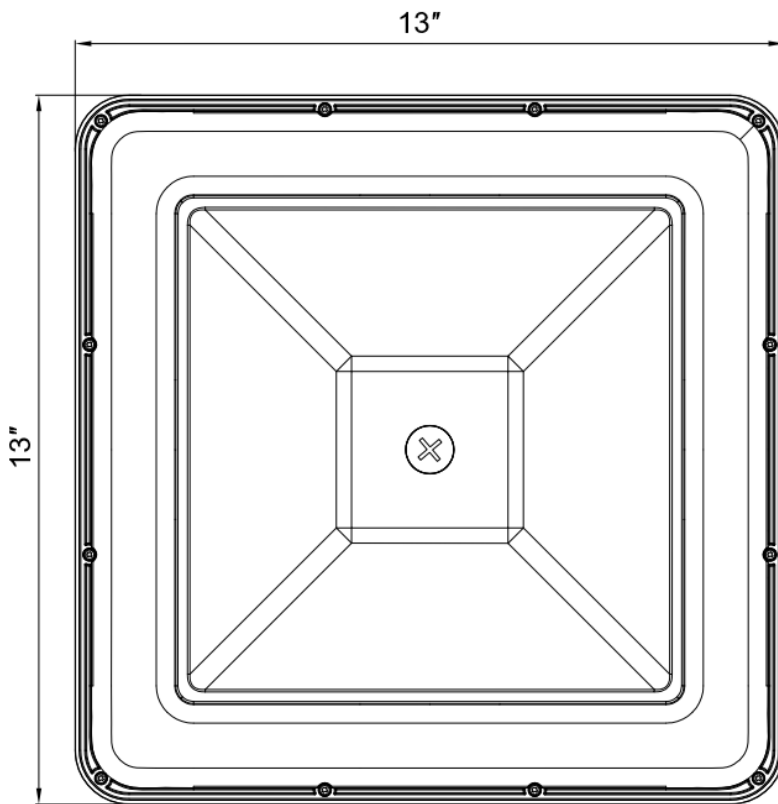


Backlight
LOC-LCP-BLB

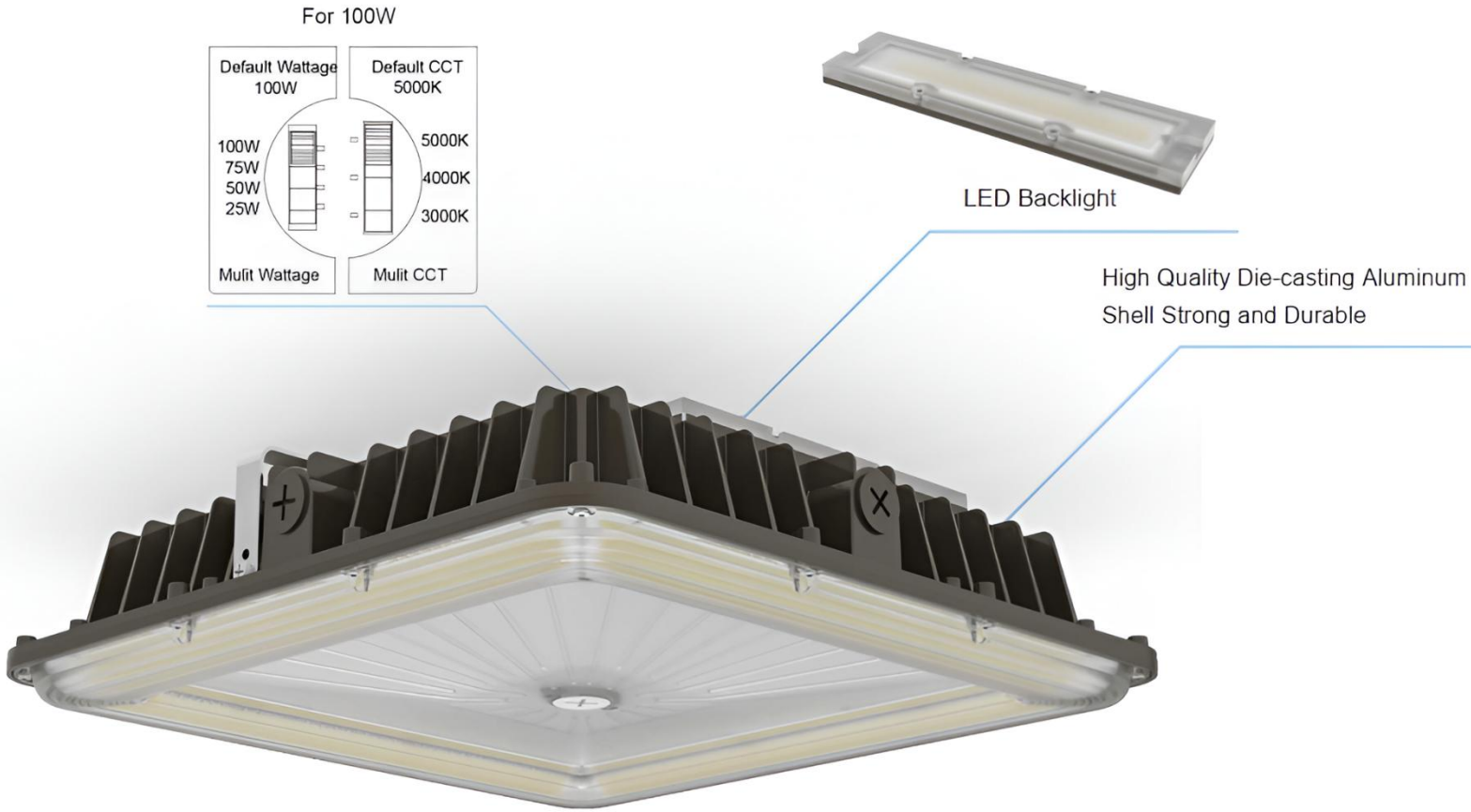
LOC-LCP-MW100W3CCT

WATTAGE SELECTABLE	CCT SELECTABLE	LUMENS	EFFICACY	VOLTAGE	CRI	POWER FACTOR	THD	REPLACES
25W	3000K / 4000K / 5000K	3,750LM	150lm/W	120-277V	>70	0.9	<15%	
50W	3000K / 4000K / 5000K	7,500LM	150lm/W	120-277V	>70	0.9	<15%	
75W	3000K / 4000K / 5000K	11,250LM	150lm/W	120-277V	>70	0.9	<15%	
100W	3000K / 4000K / 5000K	15,000LM	150lm/W	120-277V	>70	0.9	<15%	

MEASUREMENTS



SPECIFICATION FEATURES



MODEL	QTY	NET WEIGHT	MASTER CARTON SIZE	GROSS WEIGHT	PCS CTN	UPC CODE
LOC-LCP-MW100W3CCT	1	5.51lbs	14.17" x 14.17" x 4.53"	6.61lbs	1	00810050949354