

ACCESSORIES

REFER TO ACCESSORY INDEX TO MATCH ACCESSORY WITH PRODUCT.
ILLUSTRATIONS SHOWN ARE TYPICAL REPRESENTATIONS.

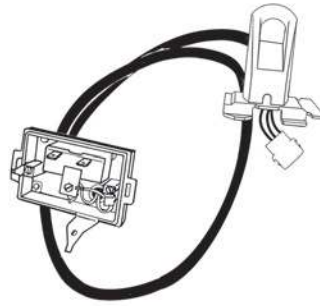
EZ CONNECT™ LCP-RHB — GEN 5 & GEN 6 ONLY

Loop, Cord and Power Hook Plug with Generation 5 plug-in connector. For use with Receptacle/Hook Box RHBTF or RHBNTF (see next page).

UL LISTED Ordering numbers shown are UL Listed for load make/break. Note: Available as suitable for wet locations. Add "W" suffix to end of ordering number.

- EZLCP-RHB
120V, 208V, 240V, 277V, 480V unfused
- EZLCP-RHBF1
120V or 277V with single fuseholder (less fuse)
- EZLCP-RHBF2
208V, 240V or 480V with double fuseholders (less fuses)

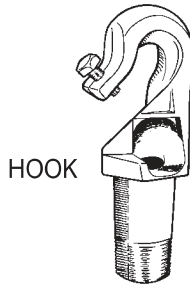
* NOTE: Not for use with Multivolt Fixtures



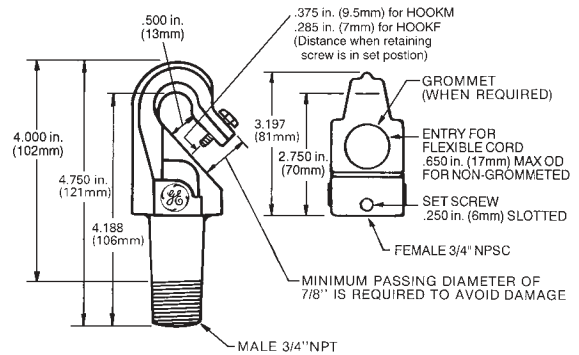
Loop, Cord and Power Hook Plug

HOOK

- HOOKF
Female
- HOOKFG
Female Grommeted
- HOOKM
Male
- HOOKMG
Male Grommeted

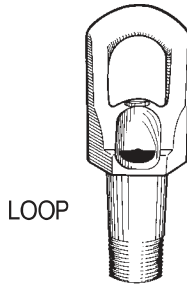


HOOK

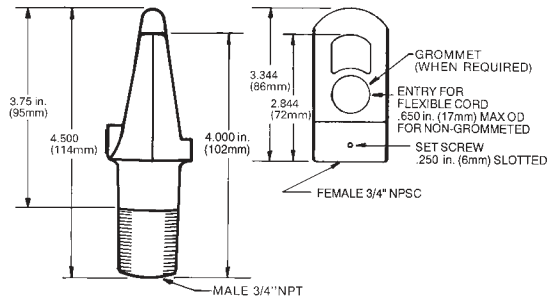


LOOP

- LOOPF
Female
- LOOPFG
Female Grommeted
- LOOPM
Male
- LOOPMG
Male Grommeted



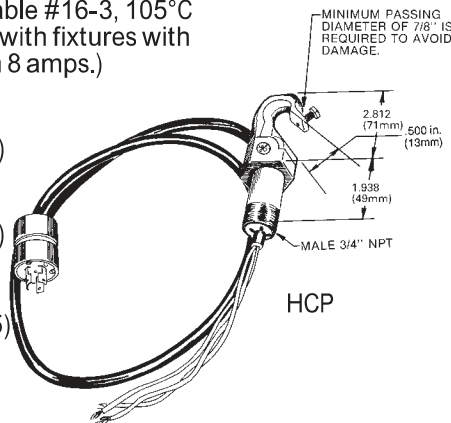
LOOP



HOOK (MALE) CORD AND PLUG

3 ft (0.9 meters) usable cable #16-3, 105°C (Contact factory for use with fixtures with line current greater than 8 amps.)

- HCP120
120V
(Plug NEMA Line #L5-15)
- HCP250
208V & 240V
(Plug NEMA Line #L6-15)
- HCP277
277V
(Plug NEMA Line #L7-15)
- HCP347
347V (20 amp plug)
(P&SL3720P)
- HCP480
480V
(Plug NEMA Line #L8-20)



LOOP (MALE), CORD AND PLUG

3 ft (0.9 meters) usable cable #16-3, 105°C (Contact factory for use with fixtures with line current greater than 8 amps.)

- LCP120
120V
(Plug NEMA Line #L5-15)
- LCP250
208V & 240
(Plug NEMA Line #L6-15)
- LCP277
277V
(Plug NEMA Line #L7-15)
- LCP347
347V (20 amp plug)
(P&SL3720P)
- LCP480
480V
(Plug NEMA Line #L8-20)

