

20-3747 A

REVISIONS		
REV	DESCRIPTION	DATE
A0	RELEASE TO PRODUCTION	10/4/2007

SAFETY STANDARDS COMPLIANCE:
 UL1310, CLASS 2
 LVD EN 60950
 UL48

EMI STANDARDS:
 FCC 47 CFR PART 15 CLASS B
 CE EN55022, EN55011 CLASS B
 EN61000-4-2,3,4,5,6,8,11

SAFETY CERTIFICATIONS
 CUL E234571
 UL E234571
 CE FV561623
 CE EC561623
 CUL E249377
 UL E249377

LVD EN61347 95-0146-3
 EMC EN55015, EN61000,
 EN61547 06-09-MAS-130-03

INPUT RANGE: AC 115/230V, Full Range.
 100 - 240 VAC, 0.5 A @ FULL LOAD.
 277 VAC, 0.125 A @ FULL LOAD.

FREQUENCY: 47 - 63 Hz. **POWER FACTOR:** > 0.92

EFFICIENCY: 85 % Typ. **LEAKAGE CURRENT:**

PEAK INRUSH: < 0.25mA @ 115VAC
 10 AMPS @ 115V AC
 20 AMPS @ 230V AC

LOAD CAPACITY: 25 WATTS

OUTPUT	MIN	MAX	LOAD REG
920mA	12.0 VOLTS	24.0 VOLTS	+5%/-5%

COOLING: CONVECTION

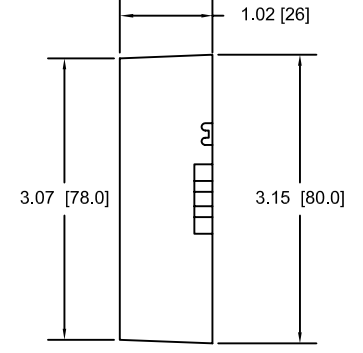
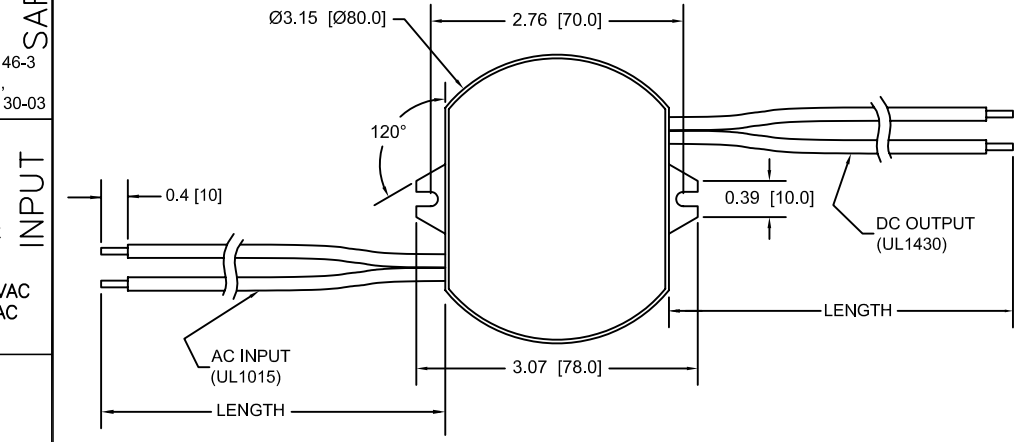
NOISE LEVEL: 0 dB

RELIABILITY (MTBF): (MIL-HDBK-217E)
 100,000 HRS. @ 25 DEG. C @ FULL LOAD

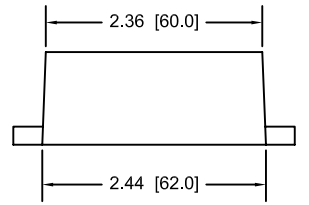
ENVIRONMENTAL CONDITIONS:
 OPERATING TEMPERATURE: -30 ~ 70°C
 RELATIVE HUMIDITY: 5 ~ 95%
 LOCATION: DAMP OR DRY

CONNECTOR:

PROTECTION:
 OCP,SCP
 AUTO-RECOVERY



CON	PIN	COLOR	OUTPUT	AWG	LENGTH
AC	---	BLACK	LINE	18	6.0 [152]
IN	---	WHITE	NEUTRAL	18	
DC	---	GRAY	+V	18	+0.5 [+13]
OUT	---	BLACK	GND	18	-0.0 [-0]



NOTES:
 TEMP DE-RATING 1% PER °C FROM 60°C TO 70°C

MANUFACTURED BY: HIGH PERFECTION TECHNOLOGY CO., LTD. CN-0141

THIS ITEM IS THE PROPERTY OF MAGTECH INDUSTRIES AND CONTAINS PROPRIETARY CONFIDENTIAL AND TRADE SECRET INFORMATION. THE INFORMATION CONTAINED HEREIN MUST NOT BE USED, DISCLOSED OR REPRODUCED IN WHOLE OR IN PART WITHOUT PRIOR WRITTEN CONSENT FROM MAGTECH IND.

UNLESS OTHERWISE SPECIFIED	APPROVAL DATE	10/4/2007
DIMENSIONS IN INCHES [MM]	EFFECTIVE DATE	10/4/2007
TOLERANCES:	CHECKED BY	
.X DECIMALS± .05 [1.3]	APPROVED BY	
.XX DECIMALS± .02 [0.5]		
.XXX DECIMALS± .005 [0.13]		
ANGLES± 1°		
FRACTIONS± 1/16		
DO NOT SCALE THIS DRAWING		
INTERPRET DRAWING PER ANSI Y14.5M		



TITLE:
 LP1025-24-C0920, STD 277VAC

MODEL NO.	DWG NO.	REV. AO	SH OF
LP1025-24-C0920	M20-3747		1 1