

LED Driver

| LP1040-xx Series Switch-Mode LED Driver | |
|--|---------------------|
| Total Power | 40 Watts |
| Input Voltages | 90 ~ 264VAC, 277VAC |
| Number of Outputs | One |

Product Specifications

ANZ#: Z094K, September 6, 2011

SPECIAL FEATURES

- UL1310, Class 2 and UL48 compliant
- Single output, ranged from 10V up to 36VDC
- IP66 compliant
- Suitable for dry and damp locations
- Designed for outdoor or indoor applications
- Suitable in standard electrical junction boxes
- ELV (trailing-edge) dimmable - Optional
- Active PFC reduces power consumption

ENVIRONMENTAL

Operating temperature: -30 to 50 °C
(De-rating : 2% per °C from 50~70°C)
Storage temperature: -40 to 85 °C
Humidity (Non-Condensing): 5% to 95%
Cooling: Convection
Vibration Frequency: 5 to 50 Hz
MTBF: >100,000 Hours at full load and 25°C ambient conditions (MIL-217F)
EMC : Compliant to 47CFR, Part 2, Part15 and CispR PUB, 22 Class B
Acoustic Noise: Less than 24db (20~20K Hz)

ELECTRICAL SPECIFICATIONS

Input range 90 ~ 264 VAC, 277VAC
Frequency 47 to 63 Hz
Power Factor > 0.90 at full load, 115VAC
Crest Factor 1.5 max.
Inrush current 30.0 Amps maximum at 230VAC, cold start, 25° C
Input current 0.50 Amps maximum at 115VAC
Efficiency 85% typical at maximum load
EMI filtering 47CFR, Part 2, Part 15 and CispR PUB, 22 Class B
Maximum power 40W
Current Accuracy ±1% (when applicable)
Load regulation ±3%
Leakage Current N/A
Hold up time 300uA typ. half cycle minimum at 120 VAC and 80% of rated load
Protection Over-voltage, Over current and Short circuit protection: Auto-recovery

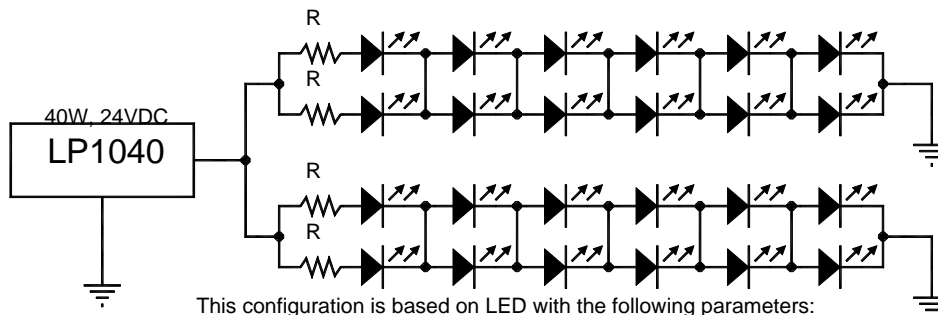
SAFETY

UL UL1310, Class 2 and UL879 recognized
cUL UL1310, Class 2 and UL879 recognized
CE Certified

| Model Number | Constant Voltage Mode | | | Model Number | Constant Current Mode | | |
|--------------|-----------------------|------------|-------|-----------------|-----------------------|-----------|-------|
| | V (DC) | A (mA) | Watts | | V (DC) | mA (max.) | Watts |
| LP1040-48 | 48, ±5% | 100 - 830 | 40 | LP1040-48-Cxxxx | 24~52 | 830, ±5% | 40 |
| LP1040-36 | 36, ±5% | 111 - 1100 | 40 | LP1040-36-Cxxxx | 18~ 36 | 1110, ±5% | 40 |
| LP1040-24 | 24, ±5% | 167 - 1670 | 40 | LP1040-24-Cxxxx | 12~ 24 | 1670, ±5% | 40 |
| LP1040-22 | 22, ±5% | 182 - 1820 | 40 | LP1040-22-Cxxxx | 12 ~ 22 | 1820, ±5% | 40 |
| LP1040-18 | 18, ±5% | 222 - 2220 | 40 | LP1040-18-Cxxxx | 9 ~ 18 | 2200, ±5% | 40 |
| LP1040-15 | 15, ±5% | 268 - 2680 | 40 | LP1040-15-Cxxxx | 9 ~ 15 | 2680, ±5% | 40 |
| LP1040-13 | 13, ±5% | 308 - 3080 | 40 | LP1040-13-Cxxxx | 7 ~ 13 | 3080, ±5% | 40 |
| LP1040-12 | 12, ±5% | 333 - 3330 | 40 | LP1040-12-Cxxxx | 7 ~ 12 | 3330, ±5% | 40 |
| LP1040-10 | 10, ±5% | 400 - 4000 | 40 | LP1040-10-Cxxxx | 6 ~ 10 | 4000, ±5% | 40 |
| LP1040-09 | 9, ±5% | 445 - 4450 | 40 | LP1040-09-Cxxxx | 6 ~ 9 | 4450, ±5% | 40 |

Note: The output current of Constant Current models are adjustable at factory from 50% ~ 100%.

RECOMMEND APPLICATION SCHEMATICS



This configuration is based on LED with the following parameters:
V : 3.0V ~ 3.5V I : 300mA ~ 350mA A. I : 300mA ~ 350mA
Recommended value for R is 20 ohm, 3W

MECHANICAL DRAWING

Model Information – Single DC output

LP1040-XX

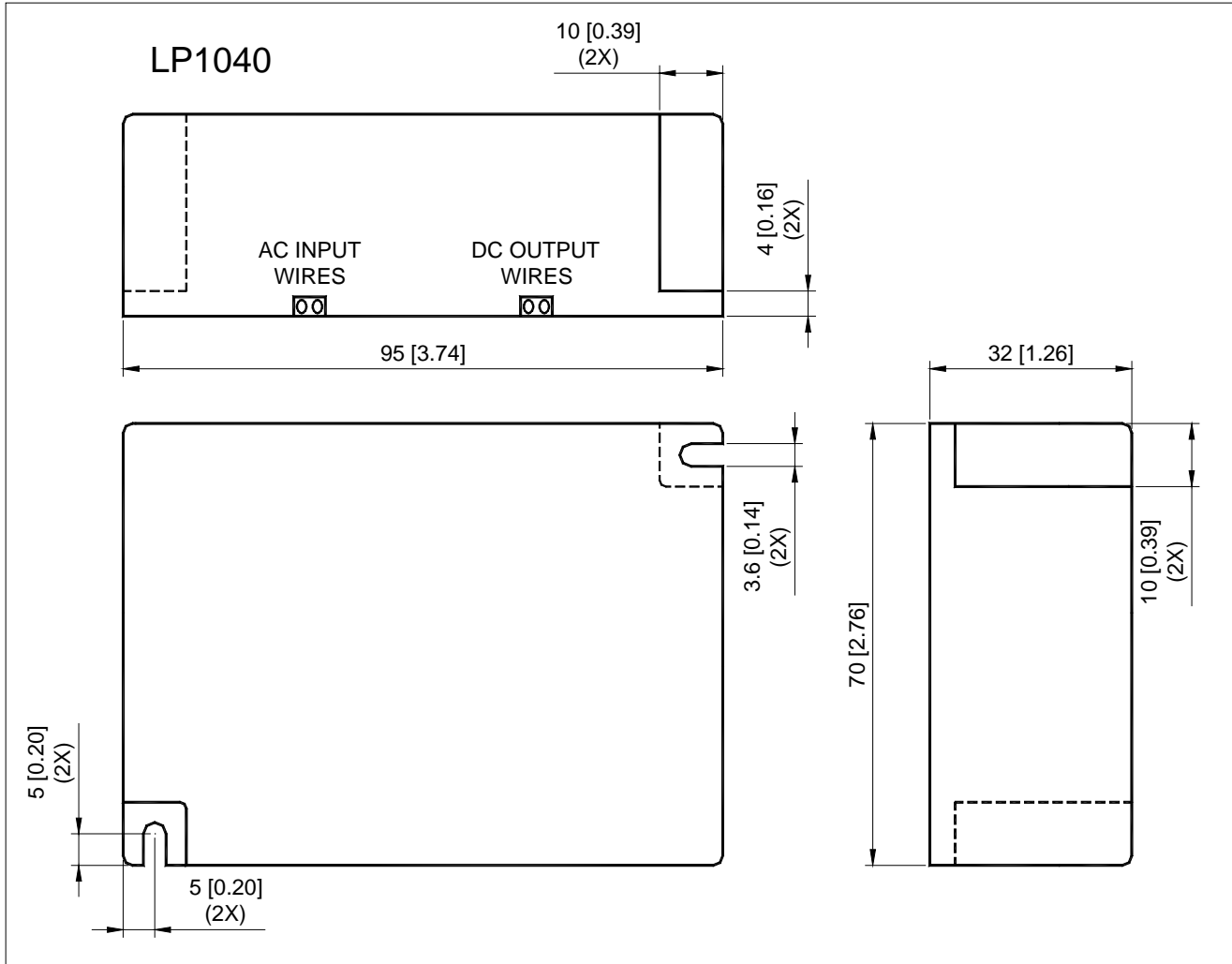
XX – Voltage rating, 10, 08, 09, 10 24.

AC input cable

AWG #18, two conductors UL PLTC type or equiv.

DC output cable

AWG #18, two conductors UL PLTC type or equiv.



mm [inch]