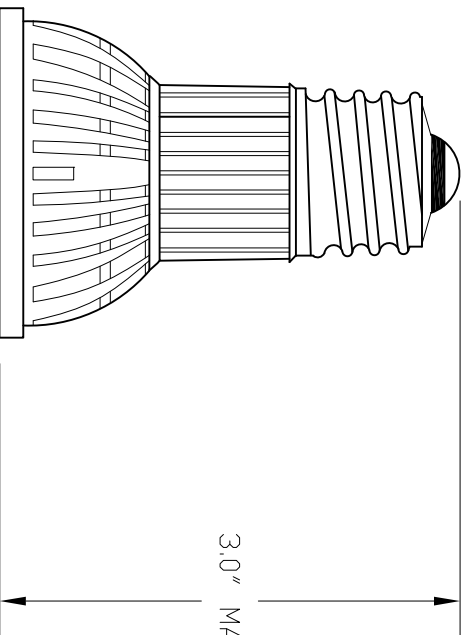
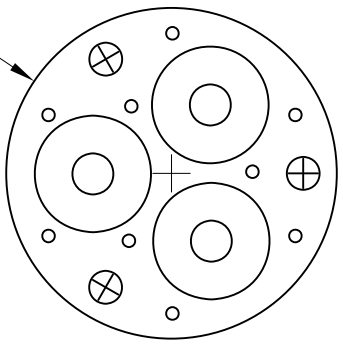


PART NO.	COLOR	LUMENS	UNIT BEAM ANGLE	BASE TYPE	VOLTS	AMPS	WATTS	AVERAGE LIFE HOURS
LPAR16-360-W	WHITE	195	30°	MEDIUM	85-260VAC	300-350mA	3	50,000
LPAR16-360-WW	WARM WHITE	150	30°	MEDIUM	85-260VAC	300-350mA	3	50,000



OPERATING TEMPERATURE  
 MINIMUM -20°C (-4°F)  
 MAXIMUM 40°C (104°F)



REV	DESCRIPTION	DATE	APPROVAL
3	OPERATING TEMPERATURE & MAX LENGTH ADDED	10/06/2009	D.C.
2	ADDITION OF LUMENS	09/09/2008	D.C.
1	ISSUED	07/29/2008	D.C.

REVISIONS

UNLESS OTHERWISE SPECIFIED:  
 DIMENSIONS ARE IN INCHES  
 TOLERANCES  
 DECIMALS ANGULAR  
 XX ± .02  
 XXX ± .010  
 FRACTIONAL ± 1/64

TITLE  
 LPAR16-360 SERIES 85-260VAC, LED LAMPS

DRAWN D. C.	DATE 7/29/2008	SIZE A	FSCM NO.	DWG NO. LPA16-360 SERIES	REV 3
CHECKED		SCALE	PLOT SCALE	SHEET 1 of 1	
DESIGN		FILE LPAR16-360 SERIES.dwg			DO NOT SCALE DRAWING
MATERIAL					