



■ Features :

- Universal AC input / Full range (up to 305VAC)
- Built-in active PFC function
- High efficiency up to 91%
- Protections: Short circuit / Over current / Over voltage / Over temperature
- Cooling by free air convection
- Fully isolated plastic case
- Fully encapsulated with IP67 level (Note.6)
- Class II power unit, no FG
- Suitable for LED lighting and moving sign applications
- Compliance to worldwide safety regulations for lighting
- Suitable for dry / damp / wet locations
- 3 years warranty



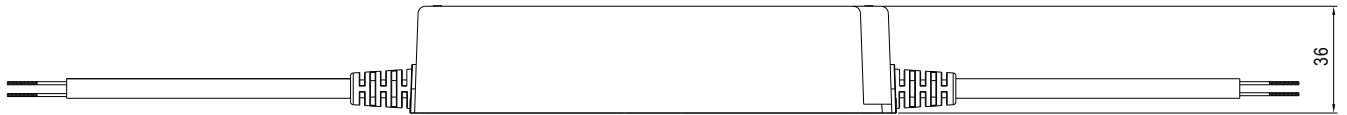
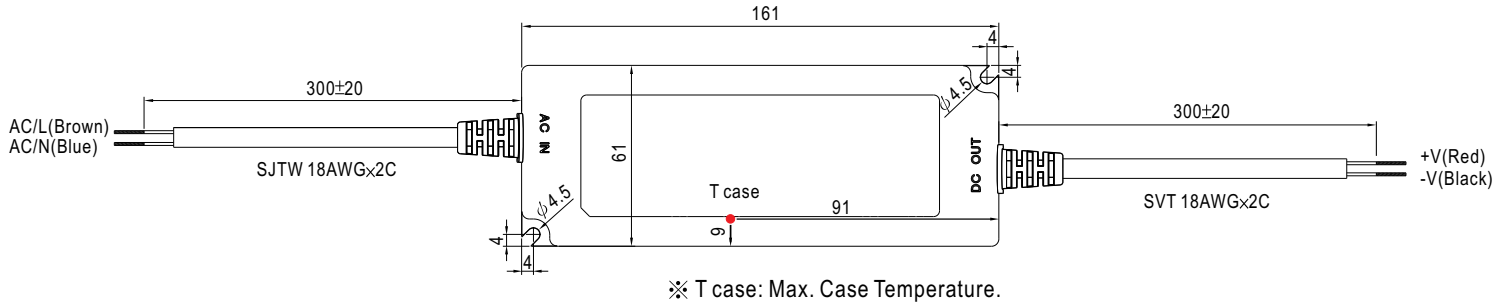
SPECIFICATION

MODEL	LPF-90-15	LPF-90-20	LPF-90-24	LPF-90-30	LPF-90-36	LPF-90-42	LPF-90-48	LPF-90-54									
OUTPUT	DC VOLTAGE	15V	20V	24V	30V	36V	42V	48V	54V								
	CONSTANT CURRENT REGION Note.4	9 ~ 15V	12 ~ 20V	14.4 ~ 24V	18 ~ 30V	21.6 ~ 36V	25.2 ~ 42V	28.8 ~ 48V	32.4 ~ 54V								
	RATED CURRENT	5A	4.5A	3.75A	3A	2.5A	2.15A	1.88A	1.67A								
	RATED POWER	75W	90W	90W	90W	90W	90.3W	90.24W	90.18W								
	RIPPLE & NOISE (max.) Note.2	150mVp-p	150mVp-p	150mVp-p	200mVp-p	200mVp-p	200mVp-p	200mVp-p	200mVp-p								
	VOLTAGE TOLERANCE Note.3	±4.0%	±4.0%	±4.0%	±4.0%	±4.0%	±4.0%	±4.0%	±4.0%								
	LINE REGULATION	±0.5%	±0.5%	±0.5%	±0.5%	±0.5%	±0.5%	±0.5%	±0.5%								
	LOAD REGULATION	±1.5%	±1.0%	±0.5%	±0.5%	±0.5%	±0.5%	±0.5%	±0.5%								
	SETUP, RISE TIME Note.7	2000ms, 80ms / 115VAC at full load		1000ms, 80ms / 230VAC at full load													
HOLD UP TIME (Typ.)	16ms/230VAC		16ms/115VAC at full load														
INPUT	VOLTAGE RANGE Note.5	90 ~ 305VAC		127 ~ 431VDC													
	FREQUENCY RANGE	47 ~ 63Hz															
	POWER FACTOR (Typ.)	PF>0.97/115VAC, PF>0.96/230VAC, PF>0.95/277VAC at full load (Please refer to "Power Factor Characteristic" curve)															
	EFFICIENCY (Typ.)	89%	90%	90.5%	91%	91%	91%	91%	91%								
	AC CURRENT (Typ.)	0.95A / 115VAC		0.5A / 230VAC		0.4A / 277VAC											
	INRUSH CURRENT(Typ.)	COLD START 70A/230VAC															
	LEAKAGE CURRENT	<0.75mA / 277VAC															
PROTECTION	OVER CURRENT Note.4	95 ~ 108%															
	OVER VOLTAGE	18 ~ 21V		23 ~ 27V		28 ~ 34V		34 ~ 38V		41 ~ 46V		47 ~ 53V		54 ~ 60V		59 ~ 65V	
		Protection type : Shut down o/p voltage, re-power on to recover															
OVER TEMPERATURE	90°C ±10°C (RTH2)																
Protection type : Shut down o/p voltage, re-power on to recover																	
ENVIRONMENT	WORKING TEMP.	-40 ~ +70°C (Refer to "Derating Curve")															
	WORKING HUMIDITY	20 ~ 95% RH non-condensing															
	STORAGE TEMP., HUMIDITY	-40 ~ +80°C, 10 ~ 95% RH															
	TEMP. COEFFICIENT	±0.03%/°C (0 ~ 50°C)															
	VIBRATION	10 ~ 500Hz, 5G 12min./1cycle, period for 72min. each along X, Y, Z axes															
SAFETY & EMC	SAFETY STANDARDS	UL8750, EN61347-1, EN61347-2-13 independent, J61347-1, J61347-2-13, IP67 approved ; Design refer to UL60950-1, TUV EN60950-1															
	WITHSTAND VOLTAGE	I/P-O/P:3.75KVAC															
	ISOLATION RESISTANCE	I/P-O/P:100M Ohms / 500VDC / 25°C / 70% RH															
	EMC EMISSION	Compliance to EN55015, EN61000-3-2 Class C (≥ 60% load) ; EN61000-3-3															
	EMC IMMUNITY	Compliance to EN61000-4-2,3,4,5,6,8,11; EN61547, EN55024, light industry level(surge 2KV), criteria A															
OTHERS	MTBF	301.6Khrs min. MIL-HDBK-217F (25°C)															
	DIMENSION	161*61*36mm (L*W*H)															
	PACKING	0.7Kg;20pcs/15Kg/0.73CUFT															
NOTE	<ol style="list-style-type: none"> All parameters NOT specially mentioned are measured at 230VAC input, rated load and 25°C of ambient temperature. Ripple & noise are measured at 20MHz of bandwidth by using a 12" twisted pair-wire terminated with a 0.1uf & 47uf parallel capacitor. Tolerance : includes set up tolerance, line regulation and load regulation. Constant current operation region is within 60% ~100% rated output voltage. This is the suitable operation region for LED related applications, but please reconfirm special electrical requirements for some specific system design. Derating may be needed under low input voltages. Please check the static characteristics for more details. Suitable for indoor use or outdoor use without direct sunlight exposure. Please avoid immerse in the water over 30 minutes. Length of set up time is measured at cold first start. Turning ON/OFF the power supply may lead to increase of the set up time. The power supply is considered as a component that will be operated in combination with final equipment. Since EMC performance will be affected by the complete installation, the final equipment manufacturers must re-qualify EMC Directive on the complete installation again. 																

Mechanical Specification

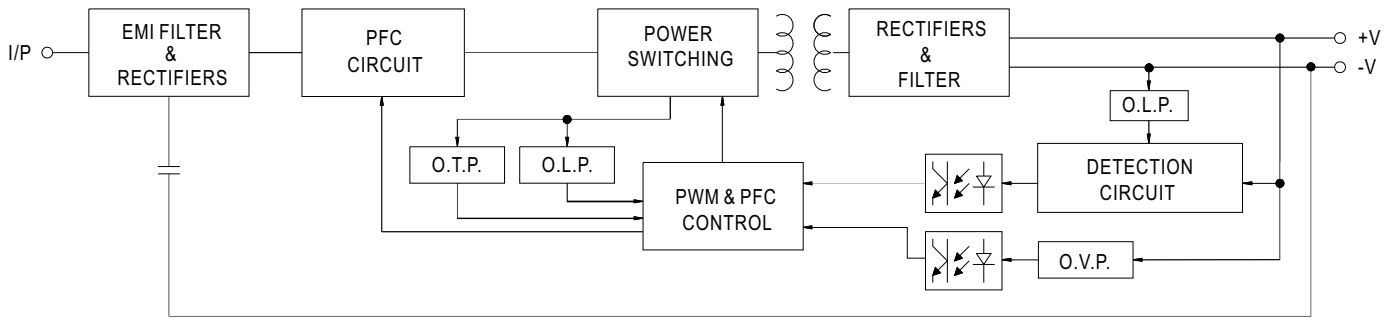
Case No.LPF-90A

Unit:mm

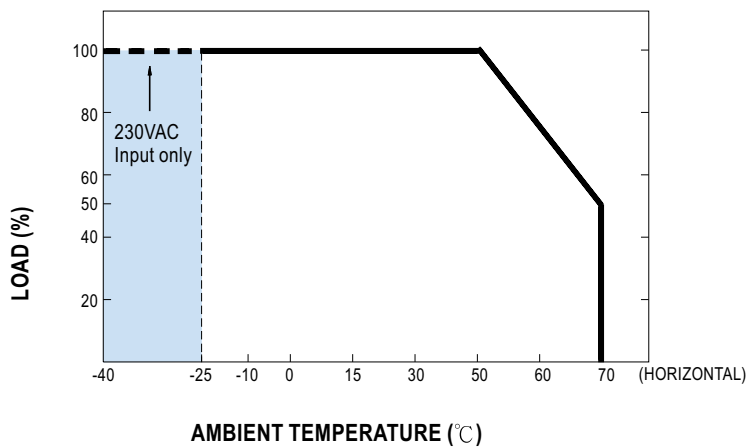


Block Diagram

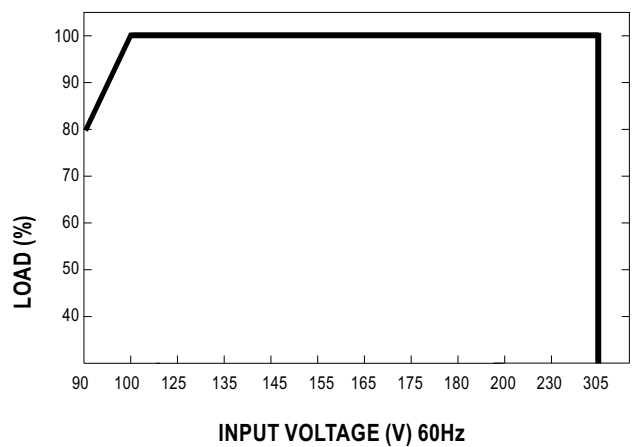
fosc : 100KHz



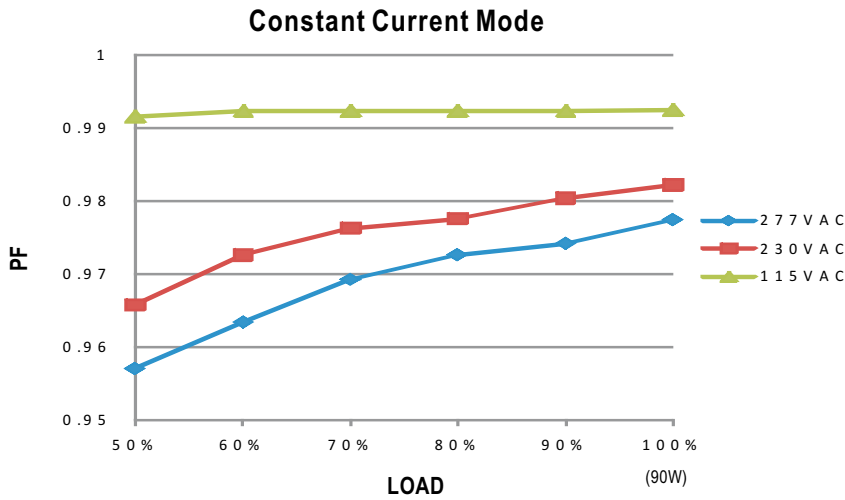
Derating Curve



Static Characteristics

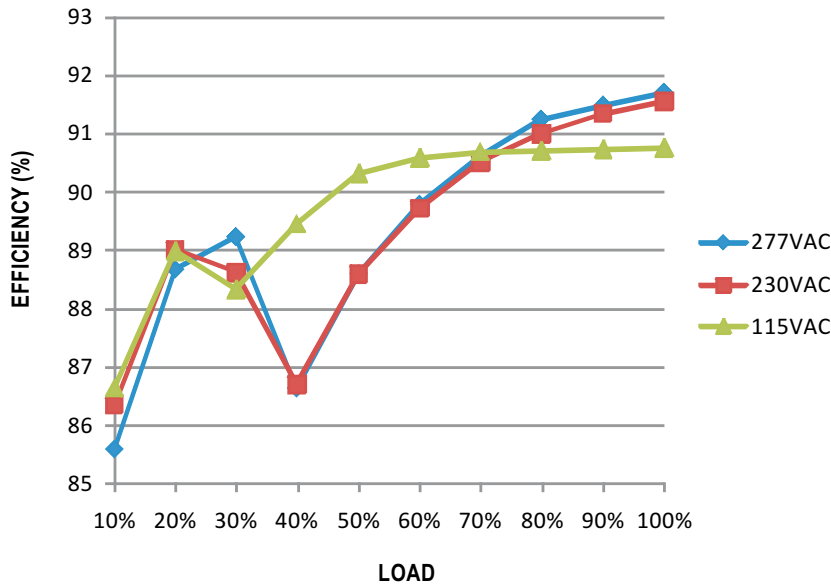


Power Factor Characteristic



EFFICIENCY vs LOAD (48V Model)

LPF-90 series possess superior working efficiency that up to 91% can be reached in field applications.

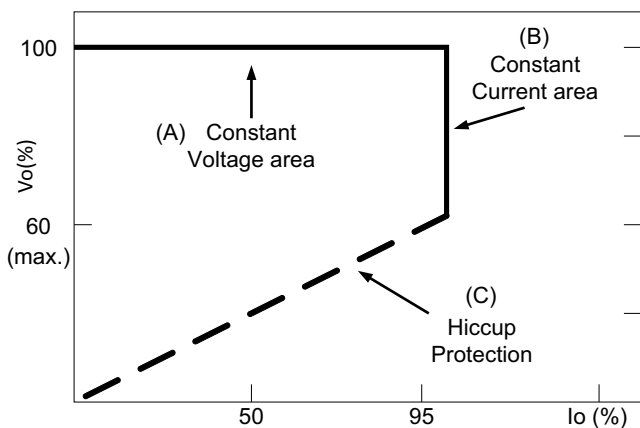


DRIVING METHODS OF LED MODULE

There are two major kinds of LED drive method "direct drive" and "with LED driver".

A typical LED power supply may either work in "constant voltage mode (CV) or constant current mode (CC)" to drive the LEDs.

Mean Well's LED power supply with CV+ CC characteristic can be operated at both CV mode (with LED driver, at area (A) and CC mode (direct drive, at area (B)).



Mouser Electronics

Authorized Distributor

Click to View Pricing, Inventory, Delivery & Lifecycle Information:

MEAN WELL:

[LPF-90-30](#) [LPF-90-36](#) [LPF-90-42](#) [LPF-90-48](#) [LPF-90-54](#) [LPF-90-15](#) [LPF-90-20](#) [LPF-90-24](#)