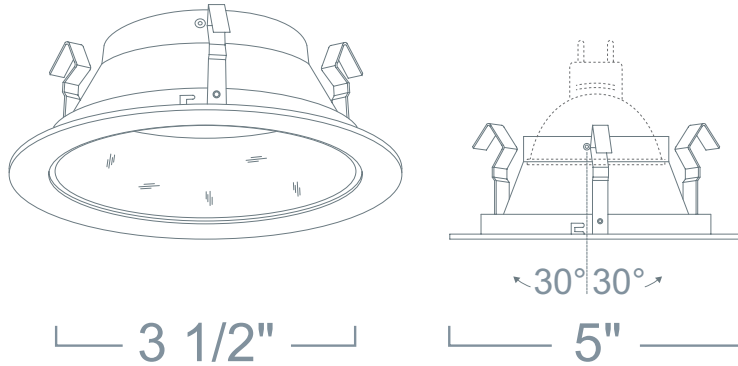


LR1401 - CLEAR LENSED REFLECTOR 4" LOW VOLTAGE TRIMS



SPECIFICATION

12V 75W Max MR16 GU5.3

Application: Used in both general and accent lighting applications. Utilizing the crisp, light output and the precision aiming capabilities of the MR16 lamps, this trim brings out the most vibrant colors from artwork and accentuates the beauty of jewelry, crystals as well as architectural features. Provides an even illumination with excellent lumen cutoff to create a dramatic lighting scene. The highly reflective surface allows for maximum lumen output.

Gasket: Supplied with gasket to prevent light leakage and unsightly heat streaks on ceiling surface.

Lens Inclusion: Clear glass protective safety lens included in packaging.

Mounting: Steel pressure springs mounted on trim to ensure positive retention inside housing.

Reflector Finish: Spun Aluminum Reflector Available in White, Black, Clear, Gold, All Copper*, All Mocha* and Satin Haze.

Ring Finish: Die-Formed Aluminum Trim Ring Available in White, Black, Chrome, Gold, Natural and Copper.

COMPATIBILITY

 LH1499 STANDARD HOUSING	 LH1499IC IC DOUBLE WALL HOUSING	 LH1499R REMODEL HOUSING 120V/277V
 LSH1499 SHALLOW HOUSING	 LSH1499IC SHALLOW IC HOUSING	 LSH1499R SHALLOW REMODEL HOUSING

Note: Wattage limitations on compatible items must be met.

2016.6.14

FEATURE:



ORDERING EXAMPLE : LR1401W

LR1401	REFLECTOR FINISH	RING FINISH	RATING	ACCESSORIES
LR1401	W :White B :Black C :Clear G :Gold CO :All Copper* MO :All Mocha* S :Satin Haze	Blank :White B :Black C :Chrome G :Gold N :Natural CO :Copper	Blank :Damp Location -WL :Wet Location	/L38 :Clear Lens /L40 :Yellow Lens /L41 :Blue Lens /L42 :Amber Lens /L43 :Green Lens /L44 :Daylight Blue Lens /L48 :Lens with Internal Louver Filter /L49 :Frosted Soft Focus /L50UV :UltraViolet Filter /L53 :Micro - Prismatic Spread Lens /L55 :Linear Spread Lens /LL16B :Black /LL16C :Clear

ID#: 198