

# Solais Lighting | LR30 LED Lamp

## Solais LED PAR30 Lamp Replacement

**Product Description:** The Solais active LED PAR30 short neck lamp replacement has the high light output, light weight and full dimming capabilities of halogen incandescent sources – resulting in a high-performance product perfect for commercial, museum, retail and hospitality applications.

**ViOLight™:** Solais developed ViOLight™ for its retail clients demanding better vibrance to colors in their environments. This technology strengthens retailers' products with enhanced color.

**Performance Summary:** Fully dimmable | Halogen PAR form factor (ANSI compliant) | Lightest LED lamps on the market | Certified to UL Standard 1993 | RoHS-compliant | Contain no lead or mercury | Dry location rating

**Application:** Designed for use in track and recessed fixtures (including IC rated housing)

**Voltage:** 120v Standard

**CCT:** 2700K, 3000K, 3500K\*, 4000K\*

**Dimmable:** Yes - Visit [solais.com/dimming.php](http://solais.com/dimming.php) for compatibility list

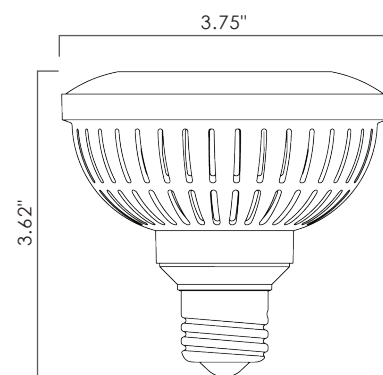
**Life:** 50,000 Hours (L70)

**Base Type:** E26, GU24\*

**Weight (oz.):** 6.8



## Lamp Images



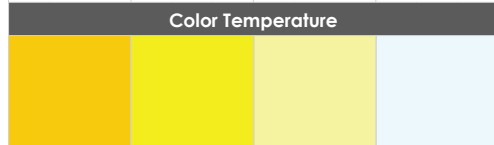
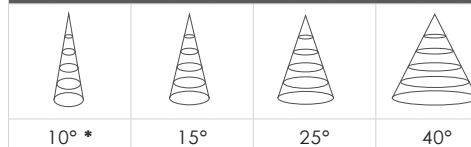
Product Code	Power (Watts)	Beam Angle	CCT (K)	Lumen Output	CBCP (cd)	CRI	ENERGY STAR®
LR30/15/30v/900/___*	12.5	15°	3000	900	7380	85	
LR30/25/30v/900/___*	12.5	25°	3000	900	4590	85	
LR30/40/30v/900/___*	12.5	40°	3000	900	1800	85	

NOTE: ViOLight Fixtures and Fixtures ≥ 22 watts must have 1/2" clearance.

Product Code	Power (Watts)	Beam Angle	CCT (K)	Lumen Output	CBCP (cd)	CRI	ENERGY STAR®
LR30/10/30K/1250/___*	16	10°	3000	1250	25875	85	
LR30/15/30K/1250/___	16	15°	3000	1250	10250	85	
LR30/25/30K/1250/___	16	25°	3000	1250	6375	85	
LR30/40/30K/1250/___	16	40°	3000	1250	2500	85	
LR30/10/27K/1250/___*	16	10°	2700	1250	25875	85	
LR30/15/27K/1250/___	16	15°	2700	1250	10250	85	
LR30/25/27K/1250/___	16	25°	2700	1250	6375	85	
LR30/40/27K/1250/___	16	40°	2700	1250	2500	85	
LR30/10/30K/1000/___*	13	10°	3000	1000	20700	85	
LR30/15/30K/1000/___	13	15°	3000	1000	8200	85	
LR30/25/30K/1000/___	13	25°	3000	1000	5100	85	
LR30/40/30K/1000/___	13	40°	3000	1000	2000	85	
LR30/10/27K/1000/___*	13.5	10°	2700	1000	20700	85	
LR30/15/27K/1000/___	13.5	15°	2700	1000	8200	85	
LR30/25/27K/1000/___	13.5	25°	2700	1000	5100	85	
LR30/40/27K/1000/___	13.5	40°	2700	1000	2000	85	

Housing Color: White (WH), Silver (SL)\*, and Black (BK)\*

## Beam Angles



### \* Special Order

**Note:** ViOLight products will produce up to 20% less measured lumens than their standard CCT equivalent; Although, perceived lumens will be noticeably higher.

# Solais Lighting | LR30 LED Lamp

## Ordering Information

LR30/25/30K/1000/WH

LR30		/		/		/		/	
Form Factor (PAR30)	Beam Angle	CCT	Lumens	Housing	WH - White	SL - Silver*	BK - Black*		
LR30	10° 15° 25° 40°	30v / 27K / 27K / 30K	900 / 1000 / 1250						

## LUXIANCE®

powered by SOLAIS

Luxiance utilizes active cooling to remove heat from the LED system - allowing Solais LED lamps to operate cooler, resulting in superior life, light output, and performance.

## THEROTTLE™

powered by SOLAIS

Thermal Throttle – In the event that Solais LEDs become overheated, they will dim themselves to protect your technology investments.

## VIOLIGHT™

powered by SOLAIS

Violight technology radiates superior color quality, enhancing colors in merchandise, making them more vibrant and offering a truly competitive LED replacement for the CMH-like crispness of white colors.

**LIMITED WARRANTY:** Solais Lighting warrants that our lamps and fixtures will operate for a period of five (5) years from the date of purchase or 25,000 hours, whichever comes first, when used in accordance with package and lamp directions. If your Solais product does not last for the warranty period, please send your name and address, the product you are returning, register receipts and proof of purchase to the address listed on our website. This limited warranty does not cover products subject to misuse, electrical current fluctuation, accident, neglect, or acts of God. THIS REPLACEMENT OR REPAIR IS THE SOLE WARRANTY OBLIGATION OF SOLAIS AND IS IN LIEU OF ALL OTHER WARRANTIES, EXPRESS OR IMPLIED, INCLUDING ANY WARRANTY OF MERCHANTABILITY OR FITNESS FOR A PARTICULAR PURPOSE. LIABILITY FOR INCIDENTAL AND CONSEQUENTIAL DAMAGES EXCLUDED.

For complete warranty terms and conditions, please see: [www.solais.com/warranty](http://www.solais.com/warranty)

**WARNING:** Not for use in fully enclosed luminaires. Risk of electric shock. Use in an indoor, dry location only. This device is not intended for use with emergency exit fixtures or emergency exit lights. May not be compatible with all dimmers; please visit [solais.com/dimming](http://solais.com/dimming) for up-to-date dimmer compatibility information.

**NOTES:** This device complies with Part 15 of the FCC Rule. This product may cause interference with other devices. If interference occurs, change the locations of the products involved. **Compatible on 120v systems.**