

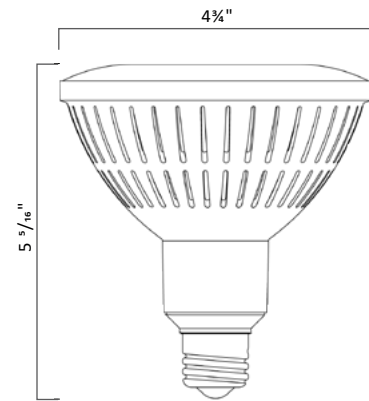
LR38

PAR 38 | LED LAMP

- 120 V
- 50,000 Hours (L70)
- Halogen PAR form factor (ANSI compliant)
- Lightest LED lamps on the market
- RoHs-compliant
- Dry location rating
- ETL Certified to UL Standard 1993
- Contain no lead or mercury
- Fully dimmable; Compatability list available.
- Base Types: E26 Standard; GU24*
- Recommended for use in open environment fixtures
- Approved for use in recessed IC and non-IC rated fixtures with open apertures only
- **VioLight** color rendering enhancements available
- *90+ High CRI available for 27K and 30K. Consult factory for availability in other color temperatures. To order, replace 'K' in CCT designation with 'h' in code below.



Weight: 9.4 oz.



Ordering Information

Example: LR38/25/30K/1600/WH

Lamp	Beam Spread	CCT	Lumens	Housing Color
LR38	15	27K	1600	WH - White
	25	30K*	1600	SL - Silver*
	40	35K*	1600	BK - Black*
		40K*	1600	
		30v	1850	
		27K	2400	
		30K	2400	
		35K*	2400	
		40K*	2400	

*Consult factory for lead time and availability
 Note: VioLight and High CRI products will produce up to 20% less measured lumens than their standard CCT equivalent; Although, perceived lumens will be noticeably higher than their standard counterparts.



Warranty



IES Files



Dimmers



LUXIANCE®

Luxiance utilizes active cooling to remove heat from the LED system - allowing Solais LED lamps to operate cooler, resulting in superior life, light output, and performance.



THEROTTLE

Thermal Throttle – In the event that Solais products begin to overheat, they will undetectably dim themselves to protect your technology investments.



VIOLIGHT™

VioLight radiates superior quality, enhancing colors in merchandise, making colors more vibrant and offering a truly competitive LED replacement for CMH-like crispness.

WARNING: Not for use in fully enclosed luminaires. Risk of electric shock. Use in an indoor, dry location only. This device is not intended for use with emergency exit fixtures or emergency exit lights. May not be compatible with all dimmers; please visit solais.com/dimming for up-to-date dimmer compatibility information.

NOTES: This device complies with Part 15 of the FCC Rule. This product may cause interference with other devices. If interference occurs, change the locations of the products involved. **Compatible on 120v systems.**

LR38

PAR 38 | LED LAMP

Product Code				Power (Watts)	CBCP (cd)	Standard CRI
Lamp	Beam Angle	CCT	Delivered Lumens			
	15	27K	1600	17	13100	83
	25				8150	
	40				3200	
	15	30K			13100	
	25				8150	
	40				3200	
	15	27K	2400	26	19650	
	25				12350	
	40				4800	
	15	30K			19650	
	25				12350	
	40				4800	
	15	30v	1850	22	15140	85
	25				9420	
	40				3700	



Warranty



IES Files



Dimmers



Therottle

Thermal Throttle – In the event that Solais products begin to overheat, they will undetectably dim themselves to protect your technology investments.



VioLight™

VioLight radiates superior quality, enhancing colors in merchandise, making colors more vibrant and offering a truly competitive LED replacement for CMH-like crispness.



Luxiance®

Luxiance utilizes active cooling to remove heat from the LED system - allowing Solais LED lamps to operate cooler, resulting in superior life, light output, and performance.

WARNING: Not for use in fully enclosed luminaires. Risk of electric shock. Use in an indoor, dry location only. This device is not intended for use with emergency exit fixtures or emergency exit lights. May not be compatible with all dimmers; please visit solais.com/dimming for up-to-date dimmer compatibility information.

NOTES: This device complies with Part 15 of the FCC Rule. This product may cause interference with other devices. If interference occurs, change the locations of the products involved. **Compatible on 120v systems.**