

## LRP20

### PAR20 | LED LAMP

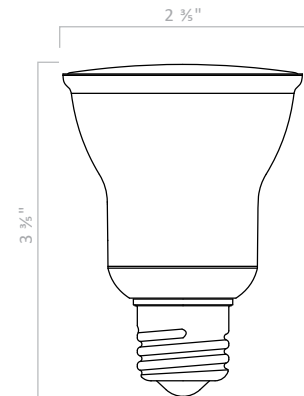
- 120 V
- 50,000 Hours (L70)
- Halogen PAR form factor (ANSI compliant)
- Lightest LED lamps on the market
- RoHs-compliant
- Wet location rating
- ETL Certified to UL Standard 1993
- Contain no lead or mercury
- Fully dimmable; Compatability list available.
- Base Types: E26 Standard; GU24\*
- Recommended for use in open environment fixtures
- Approved for use in recessed IC and non-IC rated fixtures with open apertures only
- \*MonoWhite color rendering enhancements available
- 90+ High CRI standard



Weight: 5.7oz.



Ordering Information		Example: LRP20/40/30h/SV	
Lamp	Beam Spread	CCT	Color
LRP20	25 40	25h* 27h 30m* 30h 35m* 35h* 40h* 50h*	*WH - White SV - Silver *BK - Black



Lamp	Product Code			Power (Watts)	CBCP (cd)	Standard CRI
	Beam Angle	CCT	Delivered Lumens			
LRP20	25	25h	425	6	1700	90
	40				770	
	25	27h	475		1700	
	40				770	
	25	30h	500		1700	
	40				770	
	25	30m*			1700	
	40	35m*			770	

\*Consult factory for lead time and availability  
 Note: MonoWhite products will produce up to 20% less measured lumens than their standard CCT equivalent; Although, MonoWhite product perceived lumens will be noticeably higher than their standard counterparts.



Therottle

Thermal Throttle – In the event that Solais products begin to overheat, they will undetectably dim themselves to protect your technology investments.



Optics

OPTICS<sup>2</sup> involves a recessed primary optic and surface secondary optic that allows Solais LRP lamps to duplicate the exact performance and aesthetics of incandescents.



Warranty



IES Files



Dimmers

**WARNING:** Not for use in fully enclosed luminaires. Risk of electric shock. Use in an indoor, dry location only. This device is not intended for use with emergency exit fixtures or emergency exit lights. May not be compatible with all dimmers; please visit solais.com/dimming for up-to-date dimmer compatibility information.

**NOTES:** This device complies with Part 15 of the FCC Rule. This product may cause interference with other devices. If interference occurs, change the locations of the products involved. **Compatible on 120v systems.**