



CUSTOMER NAME _____
 Project Name _____
 Date _____ Type _____
 Catalog Number _____

The Flex Downlight Series is designed to satisfy a wide range of general illumination applications up to 4600 lumens. Available in 4", 6", and 8" apertures with selectable lumen and CCT for easy changes at installation. The integral 120–277V driver provides 0–10V and ELV/Triac phase dimming making it contractor-friendly and ideal for both commercial and light commercial spaces.

CONSTRUCTION

Reflector:	Spun aluminum
Lens:	Diffuse Polycarbonate
Paint:	Powder coat white
Weights:	Up to 1.8 lbs (0.82 kg)
Optical Assembly:	Custom engineered reflectors for wide distribution

OPTICAL SYSTEM

Lumens:	Selectable, 750-4600 lm See ordering logic below
Distribution:	Very Wide (90°) with 1.1 Spacing Criteria
Efficacy:	Up to 106 LPW
CCT:	Selectable 2700K/3000K/ 3500K /4000K/5000K <i>Bold indicates switch default</i>
CRI:	90 CRI

ELECTRICAL

Input Voltage:	120–277V
Input Frequency:	50/60Hz
Power Factor (PF)*:	PF > 0.9
Total Harmonic Distortion (THD)*:	< 20%

* PF and THD may vary with options

CONTROLS

Dimming: Multi-Dim 0–10V to 1% and ELV/Triac Phase Dimming to 5%

AMBIENT TEMPERATURE

TYPE	TEMPERATURE RATE
Operating Temperature	–10° to +40° C

LUMEN MAINTENANCE

LXX(10K) @ Hours
L90@60,000HR

MOUNTING

- **New Construction:** Direct mount, or with Frame kit installed on drywall or T-Grid
- **Retrofit:** Spring clips clamp on to existing frame or direct mount to ceiling structure
- Refer to Installation Guide for more information

DESIGN LIFE & WARRANTY

- ETL Listed, IC rated up to 1500lm; Air-tight rated, JA-8
- **Current's Limited 5-year Warranty:** Please see website.



Ordering Information

CUSTOMER NAME

Project Name _____

Date _____ Type _____

Catalog Number _____

LRX

X

9

SW

FAMILY	SHAPE/SIZE	LUMENS ¹	CRI	CCT	DIMMING	OPTIONS
LRX = Lumination® Flex Downlight	R4 = 4" Round Downlight	1X = 750/ 1100 /1500	9 = 90	SW = Selectable CCT (2700K/ 3000K /3500K /4000K/5000K)	Standard with Multi-Dim 0-10V to 1% and ELV/Triac Phase Dimming to 5%	Standard without Emergency Ready EL = Emergency Ready ²
	R6 = 6" Round Downlight	2X = 1100/ 1500 /2500				
	R8 = 8" Round Downlight	4X = 3000/ 4000 /4600				

Notes:

1. Default settings are in **BOLD**.
2. EL Emergency Ready must be ordered with EMBB Accessory Kits (see Accessories section for compatibility details).

PRELIMINARY

CUSTOMER NAME

Project Name _____

Date _____ Type _____

Catalog Number _____

All Accessories are ordered separately

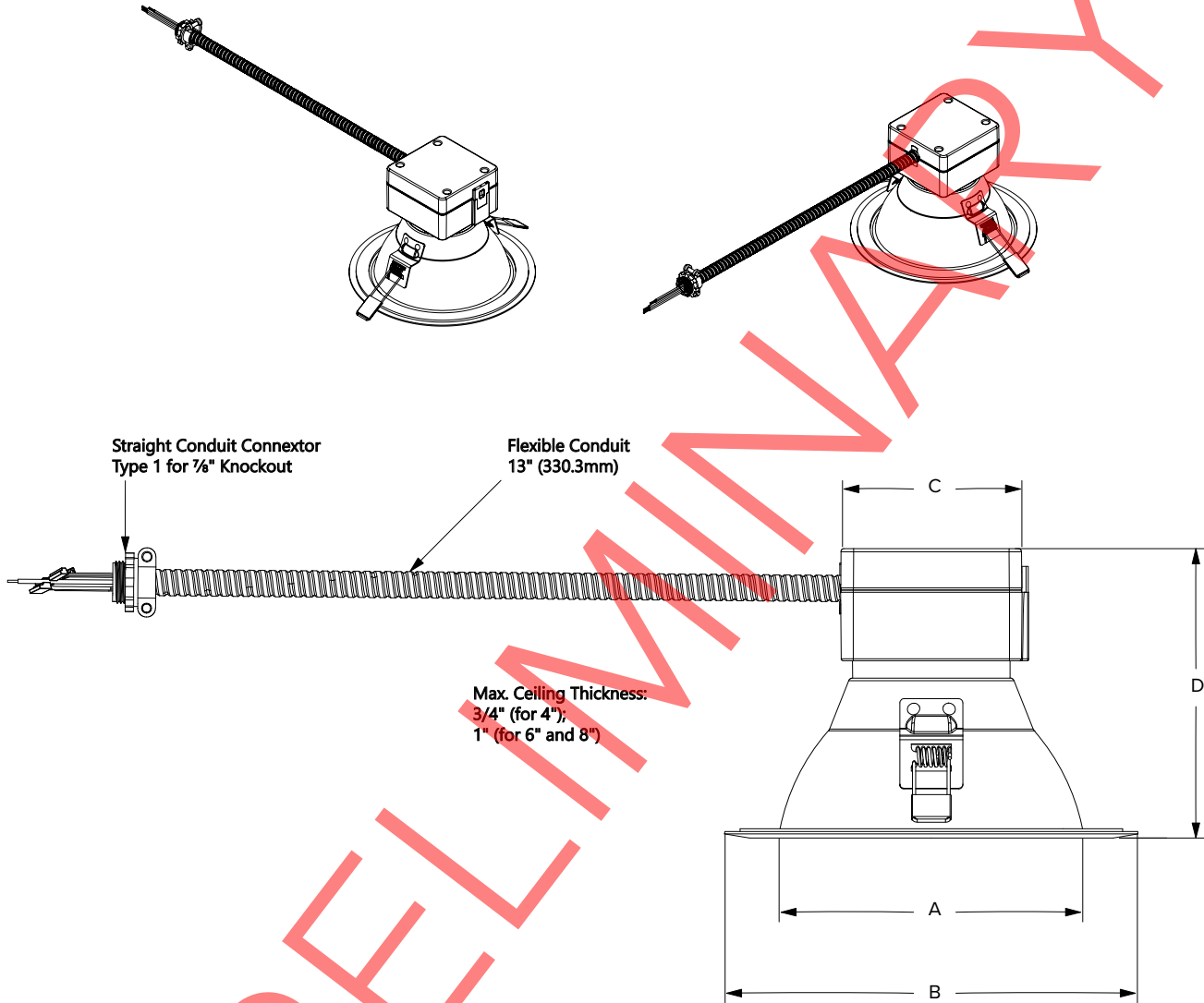
ACCESSORIES

CATALOG STRING	PRODUCT DESCRIPTION	NOTES
FRAME KITS		
FRAME4R-HB/J-BOX	New Construction 4" Round Pan	Includes J-Box and Bar hangers
FRAME6R-HB/J-BOX	New Construction 6" Round Pan	Includes J-Box and Bar hangers
FRAME8R-HB/J-BOX	New Construction 8" Round Pan	Includes J-Box and Bar hangers
EMBB KITS		
LDEMBKIT07	7W Emergency Battery Backup Kit	

PRELIMINARY

Dimensions

LUMINATION® FLEX DOWNLIGHTS



Max. Ceiling Thickness:
 3/4" (for 4");
 1" (for 6" and 8")

APERTURE	CEILING CUTOUT MIN.-MAX.
4"	4.7" ~ 5.0" (119.4mm ~ 127.0mm)
6"	6.0" ~ 6.7" (152.4mm ~ 170.2mm)
8"	7.8" ~ 8.8" (198.1mm ~ 223.5mm)

NOMINAL APERTURE	"A" APERTURE DIAMETER	"B" OVERALL TRIM DIAMETER	"C" OVERALL MODULE HEAT SINK	"D" OVERALL HEIGHT (ASSEMBLED)
4"	3.98" (101.2mm)	5.6" (142.3mm)	3.40" (86.4mm)	4.68" (118.8mm)
6"	5.59" (141.9mm)	7.75" (196.8mm)	3.40" (86.4mm)	5.43" (137.8mm)
8"	7.43" (188.6mm)	9.75" (247.6mm)	3.40" (86.4mm)	6.02" (152.8mm)

CUSTOMER NAME

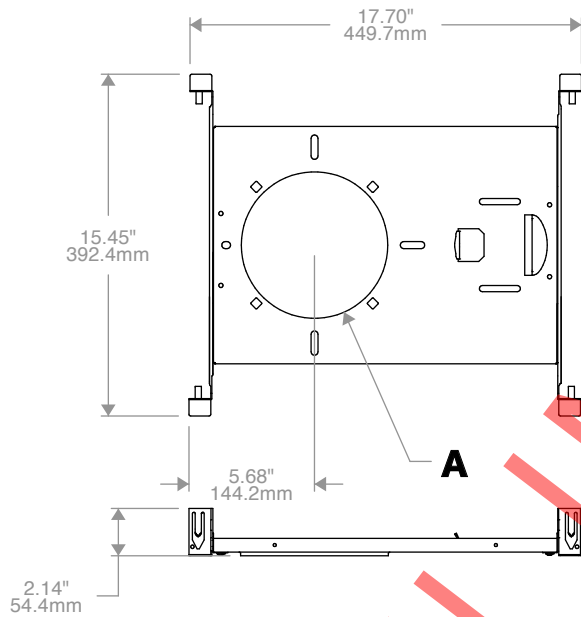
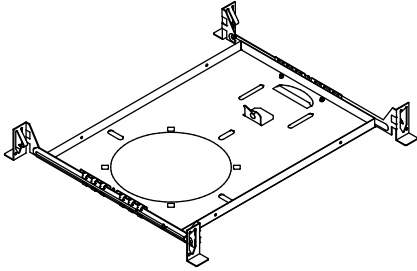
Project Name _____

Date _____ Type _____

Catalog Number _____

Dimensions

OPTIONAL FRAME PANS



(Integral J-Box is included but not pictured here)

ACCESSORY	DESCRIPTION	"A" DIAMETER
FRAME4R-HB/J-BOX	4" Round	4.88" (123.8mm)
FRAME6R-HB/J-BOX	6" Round	6.63" (168.3mm)
FRAME8R-HB/J-BOX	8" Round	

CUSTOMER NAME _____

Project Name _____

Date _____ Type _____

Catalog Number _____

Nominal Lumens

PERFORMANCE TABLE

NOMINAL APERTURE	SWITCHABLE LUMEN SETTING	NOMINAL LUMENS	CAT #	CCT	CRI	DELIVERED LUMENS	WATTS	LPW
4"	Low	750	LRXR41X9SW	27K	90	773	8.8W	88
				30K		780	8.8W	89
				35K		787	8.8W	90
				40K		795	8.7W	92
				50K		807	8.8W	92
	Med	1100		27K		1090	12.8W	85
				30K		1105	12.8W	86
				35K		1119	12.8W	87
				40K		1133	12.9W	88
				50K		1153	12.9W	89
	High	1500		27K		1521	18.9W	80
				30K		1539	19.1W	81
				35K		1560	19.1W	82
				40K		1572	19.1W	83
				50K		1583	19.1W	83
6"	Low	1100	LRXR62X9SW	27K	90	1160	13.4W	87
				30K		1183	13.4W	89
				35K		1205	13.3W	91
				40K		1227	13.3W	92
				50K		1258	13.3W	95
	Med	1500		27K		1470	17.4W	84
				30K		1506	17.5W	86
				35K		1540	17.5W	88
				40K		1570	17.5W	90
				50K		1613	17.5W	92
	High	2500		27K		2351	30.8W	76
				30K		2403	30.8W	78
				35K		2455	30.7W	80
				40K		2502	30.7W	82
				50K		2543	30.5W	83
8"	Low	3000	LRXR84X9SW	27K	90	3032	29.7W	102
				30K		3074	29.8W	103
				35K		3096	29.8W	104
				40K		3118	29.7W	105
				50K		3132	29.5W	106
	Med	4000		27K		3973	41.5W	96
				30K		4011	41.4W	97
				35K		4074	41.5W	98
				40K		4101	41.6W	99
				50K		4116	41.5W	99
	High	4600		27K		4477	48.7W	92
				30K		4527	48.6W	93
				35K		4568	48.5W	94
				40K		4596	48.4W	95
				50K		4611	48.2W	96