



CUSTOMER NAME \_\_\_\_\_

Project Name \_\_\_\_\_

Date \_\_\_\_\_ Type \_\_\_\_\_

Catalog Number \_\_\_\_\_

## LTC Series

### LED Track Light

Lumination® **LTC Series** LED Track Lights are designed for retail, restaurant, and office applications to deliver superior light where a smaller, less obtrusive fixture is required. Die-cast precision machined housings create a solid, quality product that delights contractors and designers alike. Place the LTC in any setting with field changeable optics, optional accessories and multiple beam angles and colors.

## ProLine®

### CONSTRUCTION

<b>Housing:</b>	Die-cast and precision machined head
<b>Lens:</b>	Precision designed reflectors and diffusers for optimal efficiency
<b>Paint:</b>	Textured powder coat finish
<b>Weight:</b>	LTC Fixture @ 1 lb. for 9.3W and 13.5W, LTC Fixture @ 3 lb. for 20W
<b>Optical Assembly:</b>	

### OPTICAL SYSTEM

<b>Lumens:</b>	Up to 1850 lm
<b>Distribution:</b>	Spot (12"), Narrow Flood (17"), Flood (25"), Wide Flood (38")
<b>Wattage:</b>	Up to 20.6W
<b>Efficacy:</b>	Up to 92.5 LPW
<b>CCT:</b>	2700K, 3000K, 3500K and 4000K
<b>CRI:</b>	90 CRI

### ELECTRICAL

<b>Input Voltage:</b>	120V
<b>Input Frequency:</b>	50/60Hz
<b>Standard Dimming Control</b>	Phase Dimming
<b>Power Factor (PF)*:</b>	>0.9
<b>Total Harmonic Distortion (THD)*:</b>	

\* PF and THD may vary with options

### CONTROLS

**Dimming:** Triac & ELV (Forward & Reverse Phase) dimming standard, down to 10%

### LUMEN AMBIENT TEMPERATURE

TYPE	TEMPERATURE RATE
<b>OPERATING TEMPERATURE</b>	-20°C to +35°C (-4°F to +95° F)
<b>STORAGE TEMPERATURE</b>	-40°C to +70°C (-40°F to +158° F)

### LUMEN MAINTENANCE

LXX(10K) @ Hours 50,000 HR
L85

### ADDITIONAL FEATURES

- Track adapters easily twist into track systems for quick installation.
- Compatible with several brands of track systems

### DESIGN LIFE & WARRANTY

- **Current's Limited 5-year Warranty:**  
Please see website.

CUSTOMER NAME

Project Name \_\_\_\_\_

Date \_\_\_\_\_ Type \_\_\_\_\_

Catalog Number \_\_\_\_\_

Ordering Information:

LTC ID A 1 9 P Q

FAMILY	FIXTURE TYPE	GENERATION	VOLTAGE	NOMINAL LUMENS	DISTRIBUTION	CRI/CCT	CCT	DIMMING	CONTROLS	MOUNTING	FINISH	OPTIONS
LTC	ID = Integrated Driver	A = 1 <sup>st</sup> Generation	1 = 120V	06 = 600lm 10 = 916lm	SP = Spot- 12° FL = Flood- 25° WF = Wide Flood- 38°	9=90 CRI	27 = 2700K 30 = 3000K 35 = 2500K 40 = 4000K	P = Phase Dimming	Q = None	J1 = Juno 1&2 circuits (compatible with Contech) G1 = Global Ecosystem (GES) 1&2 Circuits L2 = Lightolier Lytespan 1&2 Circuits	WHITE = White BLCK = Black	(Blank) = None HX <sup>1,2</sup> = Hexcel SN <sup>1,2</sup> = Snoot
				08 = 750lm 11 = 1100lm 18 = 1850lm	NF = Narrow Flood- 17° FL = Flood- 25° WF = Wide Flood- 38°							

ORDERING NOTES:

- HX and SN cannot both be selected.
- HX and SN only available up to 1100lm (lumen code 11)

CLAIMS AT 90CRI

LUMEN CODE	CCT	LUMENS	WATTS	LPW
06* <small>*80CRI Lumen Multiplier 1.17</small>	2700	540	9.3	58
	3000	570	9.3	61
	4000	600	9.3	65
10	2700	870	13.5	64
	3000	916	13.5	68
	4000	940	13.5	70

LUMEN CODE	CCT	LUMENS	WATTS	LPW
08	2700	710	9.3	76
	3000	750	9.3	81
	4000	790	9.3	85
11	2700	1054	13.5	78
	3000	1110	13.5	82
	4000	1139	13.5	84
18	2700	1550	20.6	75
	3000	1850	20.6	90
	4000	1900	20.6	92

NOTE: 3500K same performance as 3000K

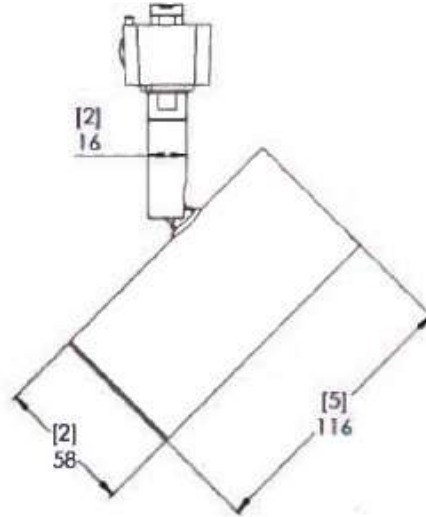
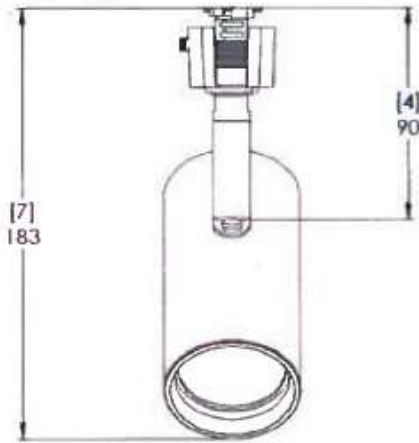
LTC ACCESSORIES

SKU	CAT LOGIC	DESCRIPTION
93042889	LTC SN WHITE	LTC WHITE SNOOT
93042890	LTC SN BLCK	LTC BLACK SNOOT
93043839	LTCHX	LTC HEXCEL LOUVER

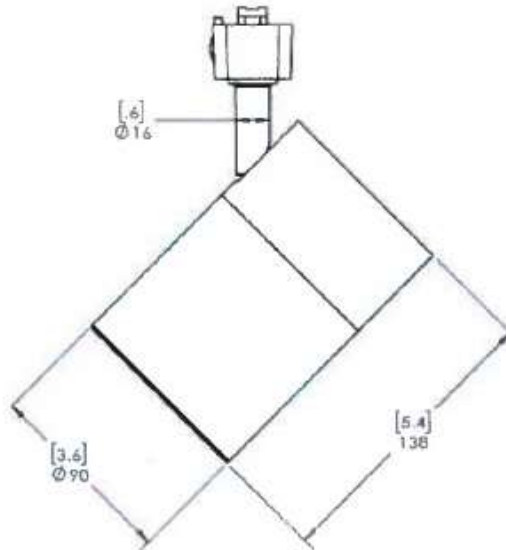
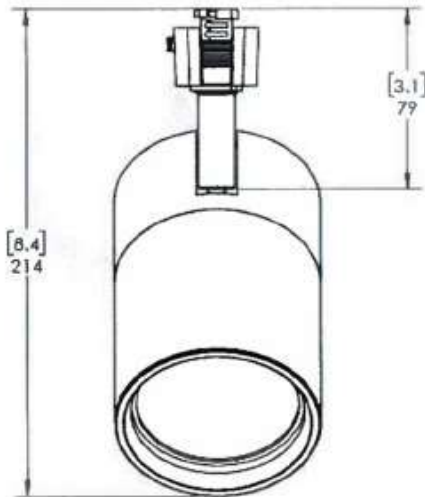
NOTE: Only available up to 1100lm (lumen code 11)

**LTC SERIES DIMENSIONS**

**LTCIDA106 / LTCIDA108 / LTCIDA110 / LTCIDA111**



**LTCIDA118**



**COMPATIBLE DIMMERS & FIELD CHANGEABLE OPTICS: LTC SERIES**

COMPATIBLE PHASE-CUT DIMMERS 10%-100% DIMMING RANGE	
DIMMER BRAND	DIMMER MODEL
LEVITON	6673-10 W
	JP106-1LW
	RP106-1LW
	81000-W
	6621-W
	6641-W
	VP106-1LX
	6682
	VPM06-1LX
	6633-PLW
LUTRON	S-603PGH-WH-C
	LX-600PL
	TG-600PNLH-WHCSA
	S-603PGH-WH-CSA
	DNG-600PH-IV-CSA
	DVCL-153P
	DV-600PH-WH-CSA
	SLV-600PH-WH-CSA
COOPER	OS106D1
	D106P-BK-K
	SI061-A-K
	TI061-W-K
	RI-06P-VW-K2
ACENTI	9530-PT (Rev A)
UBERHAUS	EP-003-ATI06-22A
	46355006



**NOTE:** The dimming range will be dependent on each specific dimmer

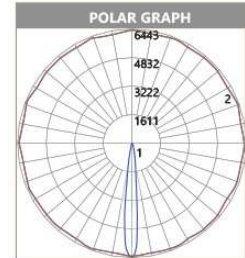
**FIELD INSTALLABLE OPTICAL ACCESSORIES**

PRODUCT DESCRIPTION	QUANTITY	MATERIAL DESCRIPTION	SKU	DISTRIBUTION
LTC 06/10 SPOT LENS BLACK	10	AK-LTC-GEN1-LE-XX-X0-BLCK-SP-10	93096137	SPOT
LTC 06/10 FLOOD LENS BLACK	10	AK-LTC-GEN1-LE-XX-X0-BLCK-FL-10	93096138	FLOOD
LTC 06/10 WIDE LENS BLACK	10	AK-LTC-GEN1-LE-XX-X0-BLCK-WF-10	93096139	WIDE FLOOD
LTC 06/10 SPOT LENS WHITE	10	AK-LTC-GEN1-LE-XX-X0-WHITE-SP-10	93096140	SPOT
LTC 06/10 FLOOD LENS WHITE	10	AK-LTC-GEN1-LE-XX-X0-WHITE-FL-10	93096141	FLOOD
LTC 06/10 WIDE LENS WHITE	10	AK-LTC-GEN1-LE-XX-X0-WHITE-WF-10	93096142	WIDE FLOOD
LTC 08/11 NARROW LENS BLACK	10	AK-LTC-GEN2-LE-XX-X0-BLCK-NF-10	93096143	NARROW FLOOD
LTC 08/11 FLOOD LENS BLACK	10	AK-LTC-GEN2-LE-XX-X0-BLCK-FL-10	93096144	FLOOD
LTC 08/11 WIDE LENS BLACK	10	AK-LTC-GEN2-LE-XX-X0-BLCK-WF-10	93096145	WIDE FLOOD
LTC 08/11 NARROW LENS WHITE	10	AK-LTC-GEN2-LE-XX-X0-WHITE-NF-10	93096146	NARROW FLOOD
LTC 08/11 FLOOD LENS WHITE	10	AK-LTC-GEN2-LE-XX-X0-WHITE-FL-10	93096147	FLOOD
LTC 08/11 WIDE LENS WHITE	10	AK-LTC-GEN2-LE-XX-X0-WHITE-WF-10	93096148	WIDE FLOOD
LTC 08/11 TESTER	10	AK-LTC-GEN1-LE-XX-X0-XXXX-TESTER	93096149	MISC
LTC 08/11 TESTER	10	AK-LTC-GEN2-LE-XX-X0-XXXX-TESTER	93096150	MISC

**LTCIDA106SP940PQXX**

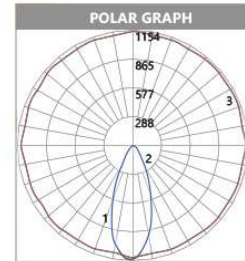
ZONAL LUMEN SUMMARY			
ZONE	LUMENS	% OF LAMP	% OF FIXTURE
0-20	397.63	N.A.	66.3
0-30	463.96	N.A.	77.3
0-40	512.5	N.A.	85.4
0-60	574.91	N.A.	95.8
0-80	596.2	N.A.	99.4
0-90	598.38	N.A.	99.7

LUMINANCE DATA (CD/SQ.M)			
ANGLE IN DEGREES	0°	45°	90°
45°	18212	18022	17946
55°	12140	12046	12093
65°	7443	7316	7443
75°	7791	7687	7791
85°	4935	4427	4319


**Total Luminaire Efficiency = N.A.%**
**LTCIDA106WF940PQXX**

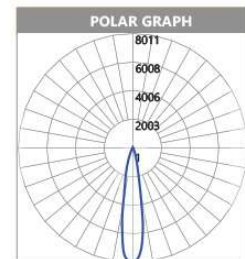
ZONAL LUMEN SUMMARY			
ZONE	LUMENS	% OF LAMP	% OF FIXTURE
0-20	309.71	N.A.	51.6
0-30	476.55	N.A.	79.4
0-40	549.39	N.A.	91.6
0-60	589.84	N.A.	98.3
0-80	598.38	N.A.	99.7
0-90	598.83	N.A.	99.8

LUMINANCE DATA (CD/SQ.M)			
ANGLE IN DEGREES	0°	45°	90°
45°	11748	12129	12661
55°	5437	5484	5578
65°	3181	3181	3117
75°	2908	2805	2701
85°	617	617	617


**Total Luminaire Efficiency = N.A.%**
**LTCIDA118FL940PQXX**

ZONAL LUMEN SUMMARY			
ZONE	LUMENS	% OF LAMP	% OF FIXTURE
0-20	1377.16	N.A.	72.50
0-30	1649.66	N.A.	86.80
0-40	1759.85	N.A.	92.60
0-60	1862.44	N.A.	98.00
0-80	1897.69	N.A.	99.90
0-90	1900.38	N.A.	100.00

LUMINANCE DATA (CD/SQ.M)			
ANGLE IN DEGREES	0°	45°	90°
45°	29314	28903	28078
55°	20361	20361	19850
65°	17271	16578	16578
75°	10148	10148	9016
85°	10025	10025	6694


**Total Luminaire Efficiency = N.A.%**

**CUSTOMER NAME**

Project Name \_\_\_\_\_

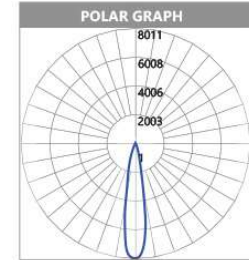
Date \_\_\_\_\_ Type \_\_\_\_\_

Catalog Number \_\_\_\_\_

**LTCIDA118FL940XX**

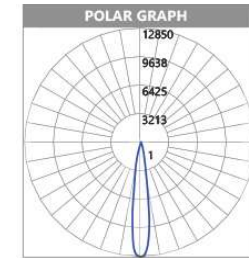
ZONAL LUMEN SUMMARY			
ZONE	LUMENS	% OF LAMP	% OF FIXTURE
0-20	1377.16	N.A.	72.50
0-30	1649.66	N.A.	86.80
0-40	1759.85	N.A.	92.60
0-60	1862.44	N.A.	98.00
0-80	1879.69	N.A.	99.90
0-90	1900.38	N.A.	100.00

LUMINANCE DATA (CD/SQ.M)			
ANGLE IN DEGREES	0°	45°	90°
45°	29314	28903	28078
55°	20361	20361	19850
65°	17271	16578	16578
75°	10148	10148	9016
85°	10025	10025	6694


**Total Luminaire Efficiency = N.A.%**
**LTCIDA118NF940XX**

ZONAL LUMEN SUMMARY			
ZONE	LUMENS	% OF LAMP	% OF FIXTURE
0-20	1448.19	N.A.	76.20
0-30	1617.07	N.A.	85.10
0-40	1712.45	N.A.	90.01
0-60	1842.97	N.A.	97.00
0-80	1896.67	N.A.	99.80
0-90	1900.54	N.A.	100.00

LUMINANCE DATA (CD/SQ.M)			
ANGLE IN DEGREES	0°	45°	90°
45°	34454	37070	37070
55°	30110	31184	30110
65°	24078	24078	22621
75°	16682	15488	14293
85°	10611	10611	10611


**Total Luminaire Efficiency = N.A.%**
**ProLine®**

 Every contractor deserves a  
 Fast, Reliable, and Trusted Lighting Partner

**For Product or Technical Questions:**

 Email: [lightingproinfo@gecurrent.com](mailto:lightingproinfo@gecurrent.com)

Phone: +1 888 694 3533, option 2