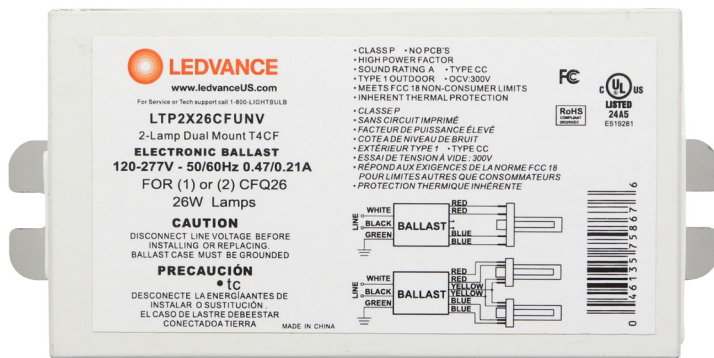


# LEDVANCE T4 Compact Fluorescent Programmed Rapid Start Ballast

Normal Ballast Factor

120-227 Volt High Efficiency



### LTP CF UNV Models Lamp/Ballast Guide

2 Lamp T4 CF Ballast 120-277V PSN Dual Mount

Primary lamps: CF 26W DD/E, DT/E

Also operates:

CF 32W DT/E, 42W DT/E

Scan or click QR code to access Ballast Compatibility Listing



### Application Information

This LEDVANCE Professional Ballast is ideally suited for:

- Commercial and retail
- Hospitality and institutional
- New construction
- Wall scones and recessed downlights

### Ordering Information

Item Number	Description	# of Lamps	Primary Lamp (W)	Lamp family	Line Voltage	Starting Method	Dual Mount	Case Size	Packaging
75867	LTP2X26CFUNVDM	2	26	CF= T4 CF	UNV	PS	DM	Small	20/CS 1/SKU

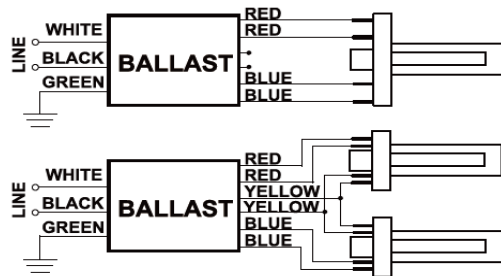
### Electrical Specifications at 120-277V

Item Number	Description	Input Current (AMPS)	Lamp Type	Rated Lumens (lm)	No. of Lamps	Ballast Factor (BF)	System Lumens (lm)	Mean Lumens (lm)	Input Power (W)	System Efficacy (lm/W)	BEF*
75867	LTP2X26CFUNVDM	0.30	26W DD/E T/E	1800	2	1	1800	1550	50	67	1.88
		0.16	26W DD/E T/E	1800	1	0.96	3600	3095	27	64	3.570

\*Ballast Efficiency Factor (BEF) shown = (Ballast Factor x 100) divided by Input Power 277V 60Hz data



## Wiring Diagram



Note: For one lamp applications, cap all unused leads  
Insulate to 400 volts.

### Dimensions:

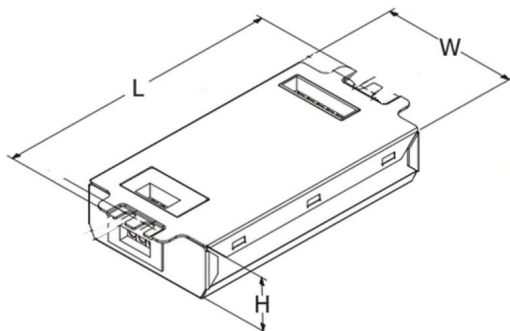
Overall: 5.05"L x 2.42"W x 0.9"H  
(128.27mm L x 61.47mm W x 22.86mm H)  
Mounting: 4.66" (118.36mm)  
Weight: 0.48 lbs. each (approx.)

### Packaging:

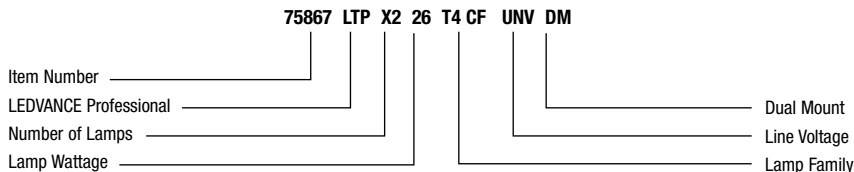
Quantity: 20 per case/1 per SKU

### Wiring:

DUAL (side and bottom) wire-trap  
connectors, for quick and easy installation



## Ordering Guide



LEDVANCE LLC  
181 Ballardvale Street, Suite 203  
Wilmington, MA 01887 USA  
Phone 1-800-LIGHTBULB (1-800-544-4828)  
www.ledvanceUS.com

LEDVANCE is a registered trademark. All other trademarks are those of  
their respective owners. Specifications subject to change without notice.



SCAN TO FOLLOW US  
ON SOCIAL MEDIA

© 2023 LEDVANCE LLC

2 of 2

## Specification Data

Type	
Catalog #	
Project	
Comments	
Prepared by	

## Performance Guide

Data based on fluorescent lamps shown. LTP  
Programmed Rapid Start based on fluorescent lamps  
shown. LTP Programmed Rapid Start ballasts are also  
compatible with other lamps manufacturers equivalent  
lamps types that meet ANSI specifications.

## Specifications

**Starting Method:** Programmed Rapid Start  
**Ballast Factor:** 2 lamp @ 277V 0.97, 1 lamp @  
277V 0.82, 2 lamp @ 120V 0.88; 1 lamp @ 120V  
0.81  
**Circuit Type:** Series  
**Lamp Frequency:** >42kHz  
**Input Frequency:** 50/60 Hz  
**Low THD:** <10%  
**Power Factor:** >98% @120V >97% @277V  
**Voltage Range:** ±10% rated input

### Operating Temperatures<sup>1</sup>

**Starting Temperature:** -5°F (-20°C)  
**Case Temp:** 194°F (90°C) Max  
**Max Ambient Temp:** 131°F (55°C)

### Product Ratings

UL Listed Class P, Type 1, Outdoor  
FCC Part 18 Non-Consumer  
Class A Sound Rating  
ANSI C62.41 Cat. A Transient Protection  
RoHS Compliant<sup>2</sup>  
No PCBs, Type CC

<sup>1</sup> Operation below 50°F (10°C) may affect light output or  
lamp operation.

<sup>2</sup> Complies with European Union Restriction of Hazardous  
Substances (Directive 2002/95/EC)

## Installation Notes

- Ground ballast case
- Install in accordance with the National  
Electrical Code
- Remote Mounting: 18ft. max lead length  
18AWG

## System Life/Warranty

LEDVANCE ballasts carry a five-year warranty from  
date of manufacture. For additional details, check  
out the latest Warranty Bulletin on our website,  
ledvanceUS.com.



SCAN OR CLICK QR  
CODE TO ACCESS  
WARRANTY.

