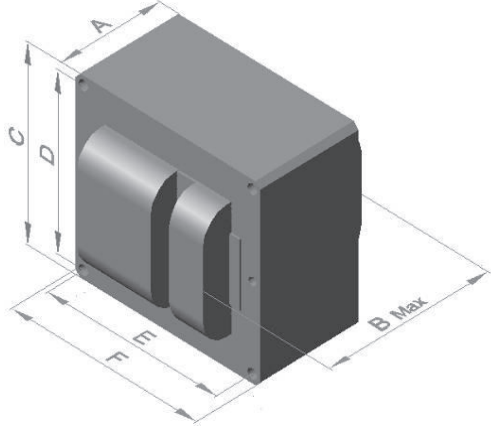


Input Volts (Volts)	120	208	240	277	3x4 CORE, HX-HPF	
Line Current (Amps)						
Nominal Operating	1.160	0.660	0.580	0.500		
Max. Open Circuit	2.550	1.450	1.300	1.100		
Regulation						
Line Volts	±5%					
Lamp Watts	±12%					
UL Temperature Ratings						
Insulating Class	N					
Coil Temperature Code	A	A	A	A		
Nominal Input Watts (W)	130					
Nominal Open Circuit Voltage (Volts)	120					
Power Factor	90%					
Current Crest Factor	1.65					
Input Voltage At Lamp Dropout (Volts)	102	177	204	235	A	51
Min. Ambient Starting Temp.	-40°C				B	85
60Hz TEST PROCEDURES						
High Potential Test (Volts)						
1 Minute	2000				C	72
1 Second	2500				D	62
Open Circuit Voltage Test (Volts)						
Min.	108				E	90
Max.	138				F	100
Short Circuit Current Test (Amps)						
Secondary Current Min	2.10					
Max	3.15					
Recommended Fuse (Amps)	3	2	2	2	Capacitor Model : HQCC-10/300V	
Weight (kG)						
Lead Lengths (mm)	250~350					
CAPACITOR Specifications						
Microfarads (µF)	10					
Volts(Min.) (Volts)	300					
IGNITOR Specifications						
Max. Input Voltage To Reference Ballast (Volts)	108	187	216	249	Temp Rating -40°C~105°C	
Pulse Height Scope	2.50~4.00kV				A: 65mm	B: 10mm
Min.Pulse Width@2.25kV (µS)	1.00				C: 32mm	D: 29mm
