

DESCRIPTION

The LuxeScape Collection presents a contemporary, architectural dayform providing superior uniformity and efficient illumination. Designed to enhance urban spaces with beautiful visual appearances and integral control solutions, LuxeScape integrates into any environment while providing high visibility by utilizing industry-leading WaveStream™ LED optics.

Catalog #		Type	
Project			
Comments		Date	
Prepared by			

SPECIFICATION FEATURES

Construction

Housing assembly is IP66 rated and cast from low copper content corrosion resistant aluminum, maintaining strength and precision to sustain long term dayform appearance. 3G rated construction avoids damages from installation generated vibration. Corrosion-resistant color matching hardware are minimized to enhance appearance.

Optics

Designed for complex site or pedestrian applications, WaveStream™ LED optical waveguide technology produces both symmetric NEMA Type V and asymmetric NEMA III, IV distributions. The waveguide is manufactured from precision injection molded acrylic delivering visual comfort and optically controlled illumination for improved glare control. Luminaire efficacy measures in excess of 100 lm/W for 4000K (+/- 275K) CCT at 70 CRI (min). Optional 3000K CCT at 70 CRI or 3000K CCT at 80 CRI also available.

Electrical

LED drivers are uniquely positioned and mounted for

maximum thermal performance and extended life. Standard 0-10V dimming drivers and surge protection module are designed to withstand 10kV of transient line surge. Drivers operate at 120-277V 50/60Hz with 347V 60Hz or 480V 60Hz operation optional. Suitable for ambient temperature applications as low as -40°C (40°F) to 40°C (104°F). High ambient options available allow for 50°C operation.

Controls

Control options are designed to be simple, cost-effective, energy code, and regulation compliant solutions featuring WaveLinX. See control options page for more details.

Mounting

Invue's aluminum round decorative pole (ARP) offering provides a seamless transition and compliments the contemporary design architecture with its unique sleek taper and base design. The tenon mount pole comes standard with an access door feature integrated into the base.

Arm Mount

The integrated aluminum contemporary upsweep arm is bolted directly to the pole using

an "N" drill pattern. Provides a seamless transition to a 4" or 5" round pole.

Spider & Cantilever Mount

Fitter assembly mounts over 3" O.D. tenon and can be adapted to a 2-3/8" tenon. It is secured via concealed, corrosion resistant set screw and jam screw pairs in six inconspicuous locations. Fitter design provides seamless transition to 4" O.D. round pole top. Optional mounting accessories include a twin arm mount and wall mount arm.

Finish

Cooper Lighting Solutions utilizes premium ultra-weatherable TGIC based polyester powder coatings specifically formulated to withstand extended outdoor exposure while providing decorative appeal. Finish is compliant to 3,000 hour salt spray standard (per ASTM B117). RAL and custom color matches available.

Warranty

Five-year warranty.



LXS LUXESCAPE COLLECTION

DECORATIVE LUMINAIRE

CERTIFICATION DATA

UL/cUL Listed
FCC Class A
IEC 60529 IP66 Housing
ANSI C136.31 3G Vibration
ASTM A356.0 Low Copper Alloy
ASTM B117 Salt Spray Tested
RoHS
ISO 9001
DesignLights Consortium® Qualified*
IDA certified (3000K CCT and warmer only)

ENERGY DATA

Electronic LED Driver
>0.9 Power Factor
<20% Total Harmonic Distortion
120-277V 50/60Hz, 347V 60Hz, 480V 60Hz
40°C Ambient Temperature Rating
As low as -40°C (-40°F) minimum temperature
*See MINIMUM TEMPERATURE table

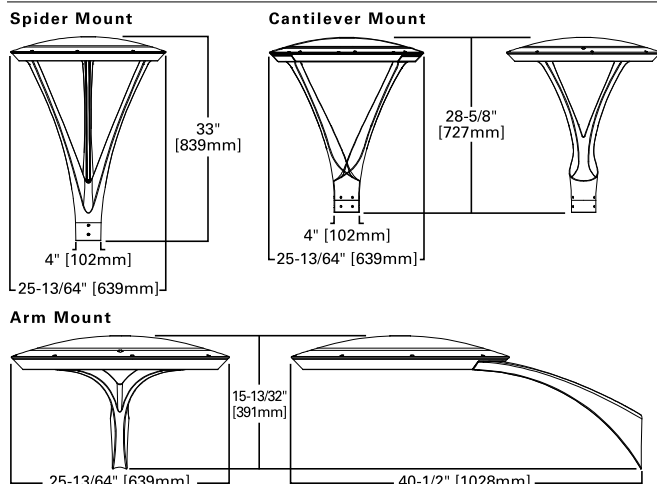
EPA

Effective Projected Area: (Sq. Ft.)
Arm Mount: 1.0
Cantilever Mount: 1.3
Spider Mount: 1.6

SHIPPING DATA

Approximate Net Weight:
Arm Mount Weight: 41 lbs. [18.6 kgs.]
Cantilever Mount Weight: 46 lbs. [20.8 kgs.]
Spider Mount Weight: 53 lbs. [24 kgs.]

DIMENSIONS



CERTIFICATIONS



ORDERING INFORMATION

Sample Number: LXS-VA3-LED-D1-T2-GM-S

Product Family ^{1,2}	Optic Type	Lumen Package ³	CRI/CCT	Voltage	Distribution ⁷	Mounting	Finish
LXS=LuxeScape Collection	VA=Visual Comfort / WaveStrea	1=Nominal 2,300 Lumens 2=Nominal 4,500 Lumens 3=Nominal 8,500 Lumens 4=Nominal 9,500 Lumens ⁴	730=70 CRI / 3000K 740=70 CRI / 4000K 830=70 CRI / 3000K	U=120-277 1=120 2=208 3=240 4=277 8=480 ^{5,6} 9=347 ⁵	ASC=Asymmetric Curbline ⁸ ASW=Asymmetric Wide ⁹ AST=Asymmetric Transverse ⁹ SYM=Symmetric Round ¹⁰	A=Arm Mount S=Spider Mount C=Cantilever Mount	AP=Grey BK=Black BZ=Bronze DP=Dark Platinum GM=Graphite Metallic WH=White RALXX=Custom Color ¹¹

Options (Add as Suffix)	Accessories (Order Separately) ²⁰	
<p>F=Single Fuse ¹² FF=Double Fuse ¹³ X=Driver Surge only 10MSP=10K MOV Surge Protective Device 20MSP=20kV MOV Surge Protective Device 20K=20kV UL 1449 Fused Surge Protective Device DIM=External 0-10V Dimming Leads ¹⁴ HA=50°C High Ambient Temperature ¹⁵ VS=Vandal Shield ¹⁶ MUSA=Final Assembly in the USA ¹⁷ CC=Coastal Construction ¹⁸ DALI=DALI Driver ¹⁹ BPC=Button Type Photocontrol ²⁰ PR=NEMA 3-PIN Twistlock Photocontrol Receptacle ²¹ PR7=NEMA 7-PIN Twistlock Photocontrol Receptacle ²¹ PC=Twistlock NEMA Photocontrol LLPC=Long Life Twistlock NEMA Photocontrol SC=Shorting Cap MS-L08=Motion Sensor for ON/OFF Operation, Up to 8' Mounting Height ^{22,23,24}</p>	<p>MS-L20=Motion Sensor for ON/OFF Operation, 9' - 20' Mounting Height ^{22,23,25} MS-L40W=Motion Sensor for ON/OFF Operation, 21' - 40' Mounting Height ^{22,23,26} MS/DIM-L08=Motion Sensor for Dimming Operation, Up to 8' Mounting Height ^{22,23,24} MS/DIM-L20=Motion Sensor for Dimming Operation, 9' - 20' Mounting Height ^{22,23,25} MS/DIM-L40W=Motion Sensor for Dimming Operation, 21' - 40' Mounting Height ^{22,23,26} ZW=Wavelinx-enabled 4-PIN Twistlock Receptacle and shorting cap installed ^{27,28} ZW-SWPD4WH=Wavelinx Wireless Sensor, 7' - 15' Mounting Height, White ^{27,28} ZW-SWPD5WH=Wavelinx Wireless Sensor, 15' - 40' Mounting Height, White ^{27,28} ZD=DALI Digital operated 4pin connector, using SR Driver within a luminaire only and shorting cap installed ^{27,28} ZD-SWPD4WH=Wavelinx DALI Digital SR Driver, Wireless Sensor, 7' - 15' Mounting Height, White ^{27,28} ZD-SWPD5WH=Wavelinx DALI Digital SR Driver, Wireless Sensor, 15' - 40' Mounting Height, White ^{27,28} DIM10=Synapse Integrated Control Module</p>	<p>FSIR-100=Wireless Configuration Tool for Occupancy Sensor ²⁹ WOLC-7P-10A=WaveLinX Outdoor Control Module (7-PIN) ³⁰ ARPA2=2-3/8" O.D. Tenon Sleeve Adapter ³¹ VA6028-XX=Twin Mount Arm (EPA 1.36 sq.ft.) ^{31,32} VA6029-XX=Wall Mount Arm ^{31,32} MA1036-XX=Single Tenon Adapter for 2-3/8" O.D. Tenon ³² MA1037-XX=2@180° Tenon Adapter for 2-3/8" O.D. Tenon ³² MA1197-XX=3@120° Tenon Adapter for 2-3/8" O.D. Tenon ³² MA1188-XX=4@90° Tenon Adapter for 2-3/8" O.D. Tenon ³² MA1189-XX=2@90° Tenon Adapter for 2-3/8" O.D. Tenon ³² MA1190-XX=3@90° Tenon Adapter for 2-3/8" O.D. Tenon ³² MA1191-XX=2@120° Tenon Adapter for 2-3/8" O.D. Tenon ³² MA1038-XX=Single Tenon Adapter for 3-1/2" O.D. Tenon ³² MA1039-XX=2@180° Tenon Adapter for 3-1/2" O.D. Tenon ³² MA1192-XX=3@120° Tenon Adapter for 3-1/2" O.D. Tenon ³² MA1193-XX=4@90° Tenon Adapter for 3-1/2" O.D. Tenon ³² MA1194-XX=2@90° Tenon Adapter for 3-1/2" O.D. Tenon ³² MA1195-XX=3@90° Tenon Adapter for 3-1/2" O.D. Tenon ³² SWPD4-WH=Wavelinx Wireless Sensor, 7' - 15' Mounting Height, White ^{27,28,33} SWPD5-WH=Wavelinx Wireless Sensor, 15' - 40' Mounting Height, White ^{27,28,33}</p>

NOTES:
 1. Customer is responsible for engineering analysis to confirm pole and fixture compatibility for all applications. Refer to our white paper WP513001EN for additional support information. 2. DesignLights Consortium® Qualified. Refer to www.designlights.org Qualified Products List under Family Models for details. 3. Lumens are nominal. See lumen table for more information. 4,9,500 Lumen package available only on SYM distribution 5. Requires the use of a step-down transformer. 6. Only for use with 480V Wye systems. Per NEC, not for use with ungrounded systems, impedance grounded systems or corner grounded systems (commonly known as Three Phase Three Wire Delta, Three Phase High Leg Delta and Three Phase Corner Grounded Delta systems). 7. Mounting alters distribution, refer to table. 8. NEMA Type III typical. 9. NEMA Type IV typical. 10. NEMA Type V typical. 11. Specify RAL number for Custom Color. Custom color matching available upon request. Consult your lighting representative at Cooper Lighting Solutions for more information. 12. Must specify voltage (120V, 277V, or 347V) to fuse the single hot leg. 13. Must specify voltage (208V, 240V, or 480V) to fuse the both hot legs. 14. Low voltage control leads brought out 18" outside fixture. Not available with control options. 15. Not available in VA3 with Type ASC, ASW and AST distributions. 16. Reduce total lumens by a 0.95 multiplier to accommodate losses. 17. This designates the option for final assembly performed within the USA and USA territories. This is not intended to address all the Federal Acquisition Regulation (FAR) and Defense Federal Acquisition Regulation (DFAR) clauses. 18. Post-coating over the primary finish providing 7,000+ salt spray hours. Extended lead-times can be 4 -10 additional weeks. 19. Only available with VA3 and VA4 lumen packages. 20. Not available with MS-LXX, MS/DIM-LXX, or 347V or 480V options. 21. Not available with MS-LXX, MS/DIM-LXX, or 347V or 480V options. 22. Not available with HA option. 23. The FSIR-100 configuration tool is required to adjust parameters including high and low modes, sensitivity, time delay, cutoff and more. Consult your lighting representative at Cooper Lighting Solutions for more information. 24. Approximately 22" detection diameter at 8' mounting height. 25. Approximately 40" detection diameter at 20' mounting height. 26. Approximately 100' detection diameter at 40' mounting height. 27. Cannot be used in conjunction with photocontrol or other controls systems (BPC, PR, PR7, MS). 28. NWAC Gateway required to enable field-configurability. Order WAC-POE and WPOE-120 (10V to POE injector) power supply if needed. Only compatible with WaveLinX system and software and requires system components to be installed for operation. See website for more WaveLinX application information. 29. This tool enables adjustment of parameters including high and low modes, sensitivity, time delay, cutoff and more. Consult your lighting representative at Cooper Lighting Solutions for more information. 30. Requires 7-PIN NEMA twistlock photocontrol receptacle. WOLC-7P-10A cannot be used in conjunction with additional sensors or controls. 31. Not vibration rated at this time. Consult your lighting representative at Cooper Lighting Solutions for more information. 32. Replace XX with color designation. 33. Requires ZW or ZD.

ARP ORDERING INFORMATION (ALUMINUM DECORATIVE POLE)

SAMPLE NUMBER: ARP5L310ABZ2

Product Family	Shaft Size (Inches) ¹	Wall Thickness (Inches)	Pole Top Diameter (Inches)	Mounting Height (Feet)	Base Type	Finish	Mounting Type	Number and Location of Arms	Options (Add as Suffix)
ARP=Aluminum Round Tapered Decorative	5=5"	L=0.156" M=0.188"	3=3" O.D. ² 6=4" O.D. ³	10=10' 12=12' 14=14' 16=16' 18=18' ⁴ 22=22' ⁴	A=Aluminum (Round 4-Bolt Pole)	AP=Grey BA=Anodized Bronze BK=Black BZ=Bronze CA=Anodized Clear DA=Anodized Black DP=Dark Platinum GM=Graphite Metallic GN=Hartford Green WH=White	2=2-3/8" O.D. Tenon (4" Long) 5=3" O.D. Tenon (4" Long)	X=None	C=Convenience Outlet ⁵ E=GFCl Convenience Outlet ⁵ G=Ground Lug V=Vibration Dampener ⁴

NOTES 1 All shaft sizes nominal. 2 Provides 3" O.D. pole top suited for Arbor Post Top. 3 Provides 4" O.D. pole top suited for LuxeScape post tops. 4 Vibration damper recommended over 18 feet add suffix "V" to catalog number. 5 Specify outlet location. Receptacle not included, provision only.

POWER AND LUMENS

Lumen Package			VA1	VA2	VA3	VA4	
Drive Current							
Power Wattage (Watts)*			24W	48W	96W	99W	
Input Current (mA) @ 120V			200	400	800	830	
Input Current (mA) @ 277V			90	180	350	360	
Power Wattage (Watts)*			28W	55W	114W	108W	
Input Current (mA) @ 347V			79	161	325	328	
Input Current (mA) @ 480V			58	117	235	237	
CRI/CCT (Nominal)	Mounting	Distribution					
730: 70CRI/3000K	A: Arm	ASC: Asymmetric Curbline	Lumens	1,949	3,740	6,730	--
			Lumens per Watt	81.2	77.9	68.0	--
			BUG Rating	B1-U0-G1	B2-U0-G2	B3-U0-G3	--
			NEMA Type	III	III	III	--
		ASW: Asymmetric Wide	Lumens	2,323	4,458	8,022	--
			Lumens per Watt	96.8	92.9	81.0	--
			BUG Rating	B1-U0-G1	B1-U0-G2	B2-U0-G3	--
			NEMA Type	IV	IV	IV	--
		AST: Asymmetric Transverse	Lumens	2,400	4,607	8,291	--
			Lumens per Watt	100.0	96.0	83.7	--
			BUG Rating	B1-U0-G1	B1-U0-G2	B2-U0-G3	--
			NEMA Type	IV	IV	IV	--
	SYM: Symmetric Round	Lumens	2,485	4,958	9,111	10,571	
		Lumens per Watt	118.3	120.9	105.9	110.1	
		BUG Rating	B2-U0-G1	B3-U0-G2	B3-U0-G2	B4-U0-G3	
		NEMA Type	V	V	V	V	
	S: Spider Mount	ASC: Asymmetric Curbline	Lumens	1,780	3,417	6,148	--
			Lumens per Watt	74.2	71.2	62.1	--
			BUG Rating	B1-U1-G1	B2-U1-G2	B3-U1-G3	--
			NEMA Type	III	III	III	--
		ASW: Asymmetric Wide	Lumens	2,097	4,024	7,242	--
			Lumens per Watt	87.4	83.8	73.2	--
			BUG Rating	B1-U1-G1	B1-U1-G2	B2-U1-G2	--
			NEMA Type	III	III	III	--
AST: Asymmetric Transverse		Lumens	2,198	4,218	7,590	--	
		Lumens per Watt	91.6	87.9	76.7	--	
		BUG Rating	B1-U1-G1	B1-U1-G2	B2-U1-G3	--	
		NEMA Type	IV	IV	IV	--	
SYM: Symmetric Round	Lumens	2,305	4,600	8,452	9,807		
	Lumens per Watt	109.8	112.2	98.3	102.2		
	BUG Rating	B2-U1-G1	B3-U1-G2	B3-U2-G2	B4-U2-G3		
	NEMA Type	V	V	V	V		

POWER AND LUMENS

Lumen Package			VA1	VA2	VA3	VA4	
CRI/CCT (Nominal)	Mounting	Distribution					
730: 70CRI/3000K	C: Cantilever Mount	ASC: Asymmetric Curbline	Lumens	1,857	3,564	6,414	--
			Lumens per Watt	77.4	74.3	64.8	--
			BUG Rating	B1-U1-G1	B2-U1-G2	B3-U1-G3	--
			NEMA Type	III	III	III	--
		ASW: Asymmetric Wide	Lumens	2,213	4,248	7,645	--
			Lumens per Watt	92.2	88.5	77.2	--
			BUG Rating	B1-U1-G1	B1-U1-G2	B2-U1-G3	--
			NEMA Type	IV	IV	IV	--
		AST: Asymmetric Transverse	Lumens	2,324	4,460	8,025	--
			Lumens per Watt	96.8	92.9	81.1	--
			BUG Rating	B1-U1-G1	B1-U1-G2	B2-U1-G3	--
			NEMA Type	IV	IV	IV	--
		SYM: Symmetric Round	Lumens	2,342	4,674	8,588	9,965
			Lumens per Watt	111.5	114.0	99.9	103.8
			BUG Rating	B2-U1-G1	B3-U1-G2	B3-U2-G2	B4-U2-G3
			NEMA Type	V	V	V	V
740: 70CRI/4000K	A: Arm	ASC: Asymmetric Curbline	Lumens	2,105	4,040	7,270	--
			Lumens per Watt	87.7	84.2	73.4	--
			BUG Rating	B1-U0-G1	B2-U0-G2	B3-U0-G3	--
			NEMA Type	III	III	III	--
		ASW: Asymmetric Wide	Lumens	2,509	4,816	8,666	--
			Lumens per Watt	104.5	100.3	87.5	--
			BUG Rating	B1-U0-G1	B1-U0-G2	B2-U0-G3	--
			NEMA Type	IV	IV	IV	--
		AST: Asymmetric Transverse	Lumens	2,593	4,977	8,956	--
			Lumens per Watt	108.0	103.7	90.5	--
			BUG Rating	B1-U0-G1	B2-U0-G2	B2-U0-G3	--
			NEMA Type	IV	IV	IV	--
		SYM: Symmetric Round	Lumens	2,684	5,356	9,842	11,420
			Lumens per Watt	127.8	130.6	114.4	119.0
			BUG Rating	B2-U0-G1	B3-U0-G2	B3-U0-G3	B4-U0-G3
			NEMA Type	V	V	V	V

POWER AND LUMENS

Lumen Package			VA1	VA2	VA3	VA4	
CRI/CCT (Nominal)	Mounting	Distribution					
740: 70CRI/4000K	S: Spider Mount	ASC: Asymmetric Curbline	Lumens	1,923	3,691	6,642	--
			Lumens per Watt	80.1	76.9	67.1	--
			BUG Rating	B1-U1-G1	B2-U1-G2	B3-U1-G3	--
			NEMA Type	III	III	III	--
		ASW: Asymmetric Wide	Lumens	2,265	4,347	7,823	--
			Lumens per Watt	94.4	90.6	79.0	--
			BUG Rating	B1-U1-G1	B1-U1-G2	B2-U1-G2	--
			NEMA Type	III	III	III	--
		AST: Asymmetric Transverse	Lumens	2,374	4,557	8,200	--
			Lumens per Watt	98.9	94.9	82.8	--
			BUG Rating	B1-U1-G1	B1-U1-G2	B2-U1-G3	--
			NEMA Type	IV	IV	IV	--
	SYM: Symmetric Round	Lumens	2,490	4,969	9,131	10,595	
		Lumens per Watt	118.6	121.2	106.2	110.4	
		BUG Rating	B2-U1-G1	B3-U1-G2	B3-U2-G3	B4-U2-G3	
		NEMA Type	V	V	V	V	
	C: Cantilever Mount	ASC: Asymmetric Curbline	Lumens	2,006	3,850	6,929	--
			Lumens per Watt	83.6	80.2	70.0	--
			BUG Rating	B1-U1-G1	B2-U1-G2	B3-U1-G3	--
			NEMA Type	III	III	III	--
		ASW: Asymmetric Wide	Lumens	2,391	4,589	8,258	--
			Lumens per Watt	99.6	95.6	83.4	--
			BUG Rating	B1-U1-G1	B1-U1-G2	B2-U1-G3	--
			NEMA Type	IV	IV	IV	--
AST: Asymmetric Transverse		Lumens	2,510	4,818	8,669	--	
		Lumens per Watt	104.6	100.4	87.6	--	
		BUG Rating	B1-U1-G1	B1-U1-G2	B2-U1-G3	--	
		NEMA Type	IV	IV	IV	--	
SYM: Symmetric Round	Lumens	2,530	5,049	9,277	10,765		
	Lumens per Watt	120.5	123.1	107.9	112.1		
	BUG Rating	B2-U1-G1	B3-U1-G2	B3-U2-G3	B4-U2-G3		
	NEMA Type	V	V	V	V		

POWER AND LUMENS

Lumen Package			VA1	VA2	VA3	VA4	
CRI/CCT (Nominal)	Mounting	Distribution					
830: 80CRI/3000K	A: Arm	ASC: Asymmetric Curbline	Lumens	1,758	3,374	6,072	--
			Lumens per Watt	73.2	70.3	61.3	--
			BUG Rating	B1-U0-G1	B2-U0-G2	B3-U0-G3	--
			NEMA Type	III	III	III	--
		ASW: Asymmetric Wide	Lumens	2,096	4,022	7,238	--
			Lumens per Watt	87.3	83.8	73.1	--
			BUG Rating	B1-U0-G1	B1-U0-G2	B2-U0-G2	--
			NEMA Type	IV	IV	IV	--
		AST: Asymmetric Transverse	Lumens	2,166	4,157	7,480	--
			Lumens per Watt	90.2	86.6	75.6	--
			BUG Rating	B1-U0-G1	B1-U0-G2	B2-U0-G3	--
			NEMA Type	IV	IV	IV	--
		SYM: Symmetric Round	Lumens	2,242	4,473	8,220	9,538
			Lumens per Watt	106.8	109.1	95.6	99.4
			BUG Rating	B2-U0-G1	B3-U0-G2	B3-U0-G2	B3-U0-G2
			NEMA Type	V	V	V	V
	S: Spider Mount	ASC: Asymmetric Curbline	Lumens	1,606	3,083	5,547	--
			Lumens per Watt	66.9	64.2	56.0	--
			BUG Rating	B1-U1-G1	B2-U1-G2	B3-U1-G3	--
			NEMA Type	III	III	III	--
		ASW: Asymmetric Wide	Lumens	1,892	3,631	6,534	--
			Lumens per Watt	78.8	75.6	66.0	--
			BUG Rating	B1-U1-G1	B1-U1-G1	B2-U1-G2	--
			NEMA Type	III	III	III	--
		AST: Asymmetric Transverse	Lumens	1,983	3,806	6,848	--
			Lumens per Watt	82.6	79.3	69.2	--
			BUG Rating	B1-U1-G1	B1-U1-G2	B2-U1-G3	--
			NEMA Type	IV	IV	IV	--
SYM: Symmetric Round	Lumens	2,080	4,150	7,626	8,849		
	Lumens per Watt	99.0	101.2	88.7	92.2		
	BUG Rating	B2-U1-G1	B3-U1-G2	B3-U2-G2	B3-U2-G3		
	NEMA Type	V	V	V	V		

POWER AND LUMENS

Lumen Package			VA1	VA2	VA3	VA4	
CRI/CCT (Nominal)	Mounting	Distribution					
830: 80CRI/3000K	C: Cantilever Mount	ASC: Asymmetric Curbline	Lumens	1,675	3,216	5,787	--
			Lumens per Watt	69.8	67.0	58.5	--
			BUG Rating	B1-U1-G1	B2-U1-G2	B3-U1-G3	--
			NEMA Type	III	III	III	--
		ASW: Asymmetric Wide	Lumens	1,997	3,833	6,897	--
			Lumens per Watt	83.2	79.9	69.7	--
			BUG Rating	B1-U1-G1	B1-U1-G2	B2-U1-G2	--
			NEMA Type	IV	IV	IV	--
		AST: Asymmetric Transverse	Lumens	2,096	4,024	7,241	--
			Lumens per Watt	87.3	83.8	73.1	--
			BUG Rating	B1-U1-G1	B1-U1-G2	B2-U1-G3	--
			NEMA Type	IV	IV	IV	--
		SYM: Symmetric Round	Lumens	2,113	4,217	7,748	8,991
			Lumens per Watt	100.6	102.9	90.1	93.7
			BUG Rating	B2-U1-G1	B3-U1-G2	B3-U2-G2	B3-U2-G3
			NEMA Type	V	V	V	V

LUMEN MULTIPLIER

Ambient Temperature	Lumen Multiplier
0°C	1.02
10°C	1.01
25°C	1.00
40°C	0.99
50°C	0.97

MINIMUM AMBIENT TEMPERATURE

Lumen Package	Temperature
VA1	-40°C
VA2	-35°C
VA3	-35°C
VA4	-40°C
All DALI powered lumen packages	-20°C

LUMEN MAINTENANCE (TM-21)

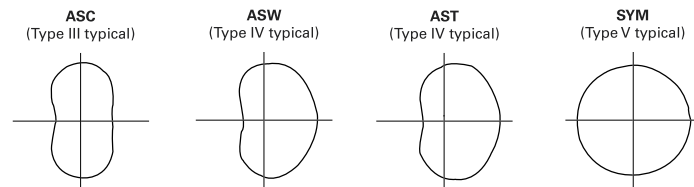
Ambient Temperature	25,000 hours*	50,000 hours*	60,000 hours*	100,000 hours**	Theoretical L70 (Hours)**
25°C	94.4%	90.4%	89.0%	83.0%	>199,000
40°C	94.6%	90.9%	89.4%	83.9%	>212,000
50°C	91.8%	87.0%	85.2%	78.2%	>151,000

NOTES:

* Supported by IESTM-21 standards

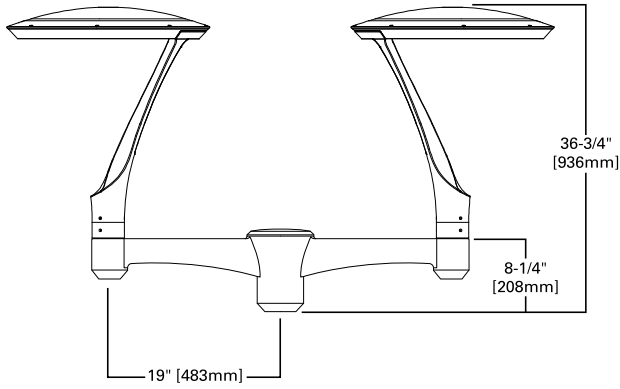
** Theoretical values represent estimations commonly used; however, refer to the IES position on LED Product Lifetime Prediction, IES PS-10-18, that explains proper use of IESTM-21 and LM-80.

OPTICAL DISTRIBUTIONS (Arm mount shown, distribution dependent on mounting)

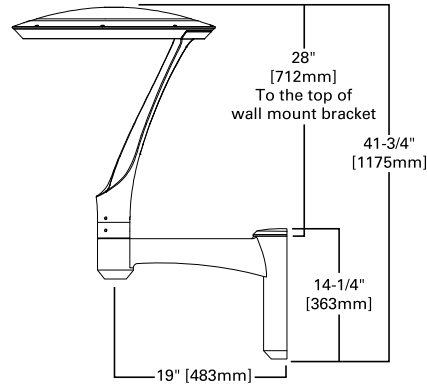


MOUNTING CONFIGURATIONS (EPAS INCLUDES FIXTURE)

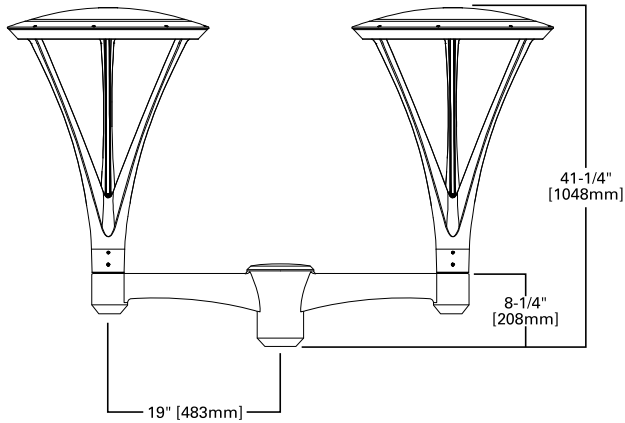
Twin mount arm (shown with Cantilever mount)



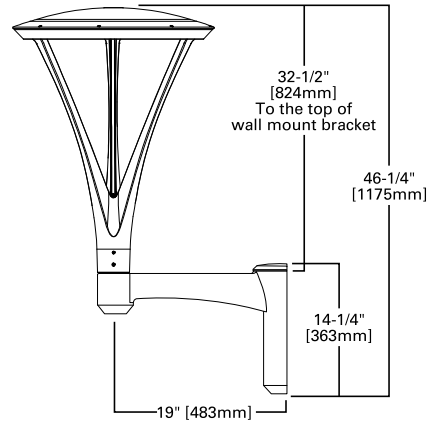
Wall mount arm (shown with Cantilever mount)



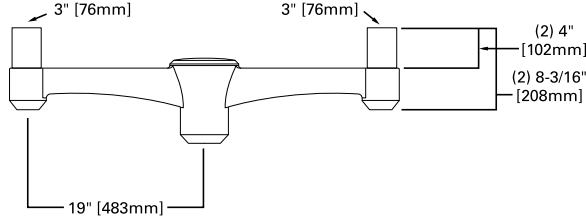
Twin mount arm (shown with Spider mount)



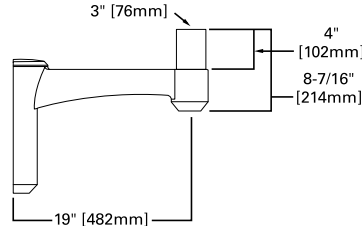
Wall mount arm (shown with Spider mount)



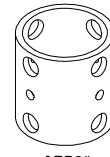
Twin mount arm (EPA 1.36)



Wall Mount Arm



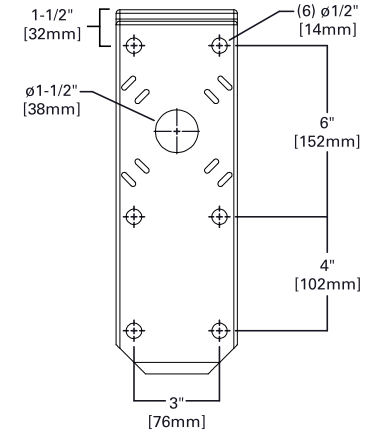
MOUNTING REQUIREMENTS CHART



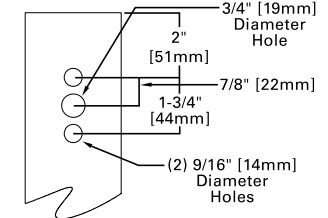
Pole Top O.D. (Inches)	4"	
Tenon O.D. (Inches)	2-3/8" Tenon	3" Tenon
Post Top	ARPA2*	Standard
Twin Mount Arm	ARPA2*	Standard

* Required for stability. Order separately.

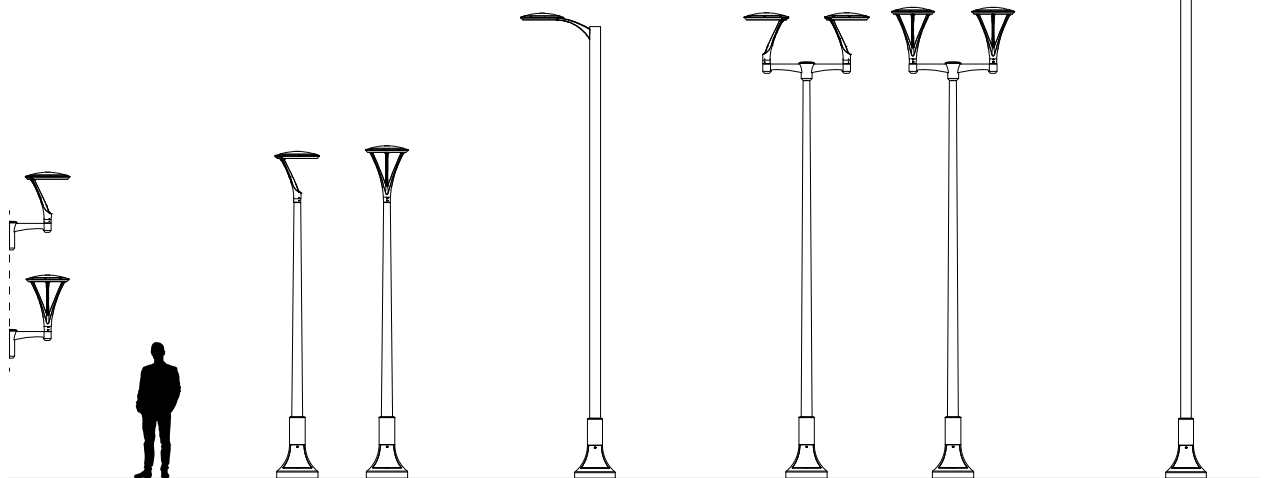
WALL MOUNT ARM DRILL PATTERN



TYPE "N"



POLE CONFIGURATIONS (ARP DECORATIVE POLE SHOWN)



Wall mount arm
8-10 ft. Mounting heights
(Spider / Cantilever mount only)

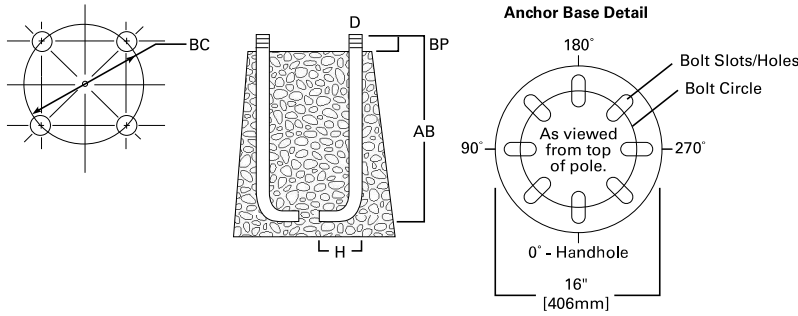
Single post top
10-18 ft. Mounting heights
(Spider / Cantilever mount only)

Single mount arm
18-22 ft. Mounting heights

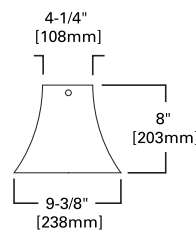
Twin mount arm
18-22 ft. Mounting heights
(Spider / Cantilever mount only)

Twin mount arm
18-25 ft. Mounting heights

ANCHORAGE DATA



ACCESS DOOR



Pole	Anchor Bolt and Template Package	Shaft Diameter (inches)	Bolt Circle (inches)	Number of Bolts	Bolt Size (inches)	Template Only
Aluminum Round Decorative Pole (ARP)	317AVE30	4 x 5	9	4	3/4 x 17	407040D

Effective Projected Area (At Pole Top)

Mounting Height (Feet)	Catalog Number	Wall Thickness (Inches)	Bolt Circle Diameter (Inches)	Anchor Bolt Projection (Inches)	Shaft Taper (Inches)	Anchor Bolt Diameter x Length x Hook (Inches)	Net Weight (Pounds)	Maximum Effective Projected Area (Square Feet) (1.3 gust factor)			Max. Load (Pounds)
								80 mph	90 mph	100 mph	
MH			BC	BP	B	AB ¹					
10	ARP5L310A	0.156	9.0	3.5	5 x 3	3/4 x 17 x 3	57	20.0	17.5	14.1	120
10	ARP5L610A	0.156	9.0	3.5	5 X 4	3/4 x 17 x 3	57	17.0	13.3	10.7	120
12	ARP5L312A	0.156	9.0	3.5	5 x 3	3/4 x 17 x 3	62	18.2	14.1	11.2	120
12	ARP5L612A	0.156	9.0	3.5	5 X 4	3/4 x 17 x 3	62	14.1	10.9	8.7	120
14	ARP5L314A	0.156	9.0	3.5	5 x 3	3/4 x 17 x 3	67	14.8	11.4	9.0	120
14	ARP5L614A	0.156	9.0	3.5	5 X 4	3/4 x 17 x 3	67	11.7	9.0	7.1	120
16	ARP5L316A	0.156	9.0	3.5	5 x 3	3/4 x 17 x 3	72	12.0	9.1	7.0	120
16	ARP5L616A	0.156	9.0	3.5	5 X 4	3/4 x 17 x 3	72	9.4	7.1	5.6	120
18	ARP5L318A	0.156	9.0	3.5	5 x 3	3/4 x 17 x 3	77	9.5	7.1	5.4	120
18	ARP5L618A	0.156	9.0	3.5	5 X 4	3/4 x 17 x 3	77	7.6	5.6	4.3	120
18	ARP5M618A	0.188	9.0	3.5	5 X 4	3/4 x 17 x 3	83	9.5	7.1	5.6	120

Effective Projected Area (18" Above Pole Top)

Mounting Height (Feet)	Catalog Number	Wall Thickness (Inches)	Bolt Circle Diameter (Inches)	Anchor Bolt Projection (Inches)	Shaft Taper (Inches)	Anchor Bolt Diameter x Length x Hook (Inches)	Net Weight (Pounds)	Maximum Effective Projected Area (Square Feet) (1.3 gust factor)			Max. Load (Pounds)
								80 mph	90 mph	100 mph	
MH			BC	BP	B	AB ¹					
10	ARP5L310A	0.156	9.0	3.5	5 x 3	3/4 x 17 x 3	57	19.6	15.3	12.3	120
10	ARP5L610A	0.156	9.0	3.5	5 X 4	3/4 x 17 x 3	57	17.0	13.3	10.7	120
12	ARP5L312A	0.156	9.0	3.5	5 x 3	3/4 x 17 x 3	62	16.1	12.5	9.9	120
12	ARP5L612A	0.156	9.0	3.5	5 X 4	3/4 x 17 x 3	62	14.1	10.9	8.7	120
14	ARP5L314A	0.156	9.0	3.5	5 x 3	3/4 x 17 x 3	67	13.2	10.1	8.0	120
14	ARP5L614A	0.156	9.0	3.5	5 X 4	3/4 x 17 x 3	67	11.7	9.0	7.1	120
16	ARP5L316A	0.156	9.0	3.5	5 x 3	3/4 x 17 x 3	72	10.6	8.0	6.2	120
16	ARP5L616A	0.156	9.0	3.5	5 X 4	3/4 x 17 x 3	72	9.4	7.1	5.6	120
18	ARP5L318A	0.156	9.0	3.5	5 x 3	3/4 x 17 x 3	77	8.5	6.4	4.8	120
18	ARP5L618A	0.156	9.0	3.5	5 X 4	3/4 x 17 x 3	77	7.6	5.6	4.3	120
18	ARP5M618A	0.188	9.0	3.5	5 X 4	3/4 x 17 x 3	83	9.5	7.1	5.6	120

CONTROL OPTIONS

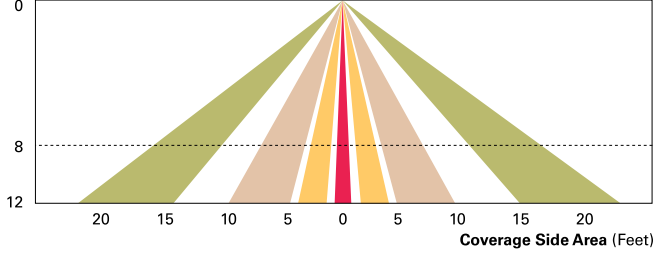
0-10V (D) The dimming option provides 0-10V dimming wire leads for use with a lighting control panel or other control method.

Photocontrol (PER and PER7) Photocontrol receptacles provide a flexible solution to enable "dusk-to-dawn" lighting by sensing light levels. Advanced control systems compatible with NEMA 7-pin standards can be utilized with the PER7 receptacle.

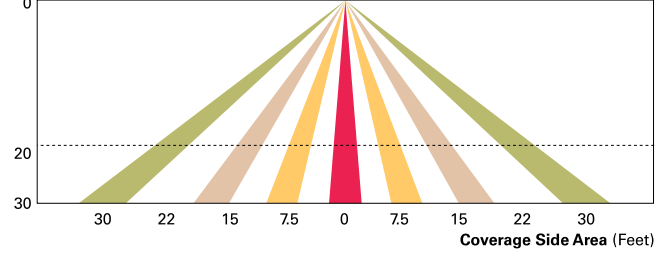
Dimming Occupancy Sensor (MS) These sensors are factory installed in the luminaire housing. When a sensor for dimming operation (/DIM) option is selected, the luminaire will dim down to approximately 50 percent power after five minutes of no activity detected. When activity is detected, the luminaire returns to full light output. When a sensor for ON/OFF operation is selected, the luminaire will turn off after five minutes of no activity.

These occupancy sensors include an integral photocell that can be activated or inactivated with the programming remote / configuration tool for "dusk-to-dawn" control or "daylight harvesting". Note: For MS sensors, the factory preset is OFF (Disabled). The programming remote / tool is a wireless tool that can be utilized to change the dimming level, time delay, sensitivity and other parameters. A variety of sensor lenses are available to optimize the coverage pattern for mounting heights from 8'-40'.

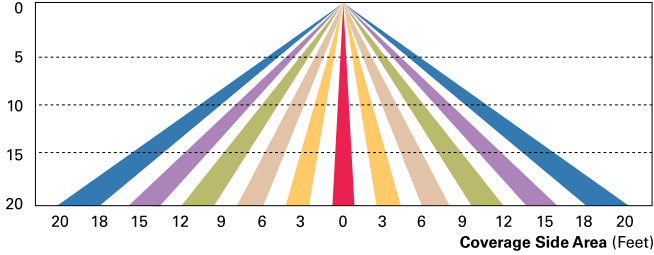
For mounting heights from 8' to 12' (-L12)



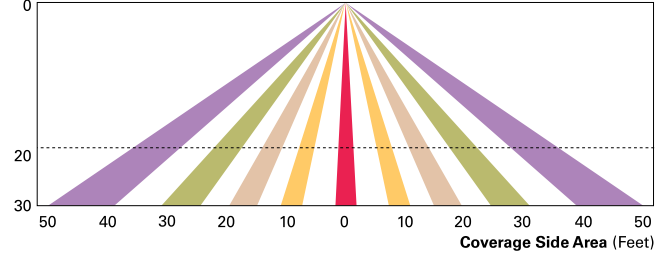
For mounting heights from 12' to 30' (-L30)



For mounting heights from 9' to 20' (-L20)



For mounting heights from 21' to 40' (-L40W)



WaveLinx Wireless Control and Monitoring System Available in 7-PIN or 4-PIN configurations, the WaveLinx Outdoor control platform operates on a wireless mesh network based on IEEE 802.15.4 standards enabling wireless control of outdoor lighting. Use the WaveLinx Mobile application for set-up and configuration. At least one Wireless Area Controller (WAC) is required for full functionality and remote communication (including adjustment of any factory pre-sets).

WaveLinx Outdoor Control Module (WOLC-7P-10A) A photocontrol that enables astronomic or time-based schedules to provide ON, OFF and dimming control of fixtures utilizing a 7-PIN receptacle. The out-of-box functionality is ON at dusk and OFF at dawn.

WaveLinx Wireless Sensor (SWPD4 and SWPD5) These outdoor sensors offer passive infrared (PIR) occupancy and a photocell for closed loop daylight sensing. These sensors can be factory installed or field-installed via simple, tool-less integration into luminaires equipped with the Zhaga Book 18 compliant 4-PIN receptacle (ZD or ZW). These sensors are factory preset to dim down to approximately 50 percent power after 15 minutes of no activity detected. These occupancy sensors include an integral photocell for "dusk-to-dawn" control or daylight harvesting that is factory-enabled. A variety of sensor lenses are available to optimize the coverage pattern for mounting heights from 7'-40'.

For mounting heights from 16' to 40' (SWPD)

