

Distributor Replacement Kits

Universal's HID Distributor kits come pre-packaged with everything you need for ballast replacement or retrofit.

- Core & Coil, capacitor, ignitor (if required), and mounting hardware all in a UPS ready to ship box.
- Color coated leads for wiring ease.
- Kits available with dedicated taps, Quad voltage (120, 208, 240, 277), Multi-5 voltage (120, 208, 240, 277, 480), and 480V with 120V aux tap.



Metal Halide

Catalog Number	Voltage	Wattage	Diagram
M175MLTAC3M500K	120/208/240/277	175	PC1
M175ML5AC3M500K	Multi-5	175	PC1
M17548TAC3M500K	480-120	175	PC1
M250MLTAC3M500K	120/208/240/277	250	PC1
M250ML5AC3M500K	Multi-5	250	PC1
M25048TAC3M500K	480-120	250	PC1
M250MLTAC4M500K	120/208/240/277	250	PC2
M250ML5AC4M500K	Multi-5	250	PC2
M25048TAC4M500K	480-120	250	PC2
M400MLTAC4M500K	120/208/240/277	400	PC2

Catalog Number	Voltage	Wattage	Diagram
M400ML5AC4M500K	Multi-5	400	PC2
M40048TAC4M500K	480-120	400	PC2
M1000MLTAC5M500K	120/208/240/277	1000	PC3
M1000MLTAC5M500K	120/208/240/277	1000	PC3
M1000ML5AC5M500K	Multi-5	1000	PC3
M100048TAC5M500K	480-120	1000	PC3
M1250MLTAC5M500K	120/208/240/277	1250	PC3
M1500MLTAC5M500K	120/208/240/277	1500	PC3
M150048TAC5M500K	480-120	1500	PC3

Pulse Start Metal Halide

Catalog Number	Voltage	Wattage	Diagram
M35MLTLC3M500K	120/208/240/277	35	PC1
M50MLTLC3M500K	120/208/240/277	50	PC1
M70MLTLC3M500K	120/208/240/277	70	PC1
M70MLTLC3D500K*	120/208/240/277	70	PC1
M7048TLC3M500K	480-120	70	PC1
M100MLTLC3O500K	120/208/240/277	100	PC1
M100MLTLC3D500K*	120/208/240/277	100	PC1
M10048TLC3M500K	480-120	100	PC1
M150MLTLC3M500K	120/208/240/277	150	PC1
M150MLTLC3D500K*	120/208/240/277	150	PC1
M15048TLC3M500K	480-120	150	PC1
P175MLTAC3M500K	120/208/240/277	175	PC1
P175ML5AC3M500K	Multi-5	175	PC1

Catalog Number	Voltage	Wattage	Diagram
P175MLTAC4L500K	120/208/240/277	175	PC2
P17548TAC4L500K	480-120	175	PC2
P200MLTAC4L500K	120/208/240/277	200	PC1
P200ML5AC3M500K	Multi-5	200	PC1
P20048TAC4L500K	480-120	200	PC1
P250MLTAC4L500K	120/208/240/277	250	PC2
P250ML5AC4M500K	Multi-5	250	PC2
P25048TAC4L500K	480-120	250	PC2
P320MLTAC4O500K	120/208/240/277	320	PC2
P320ML5AC4M500K	Multi-5	320	PC2
P32048TAC4M500K	480-120	320	PC2
P32048TAC4L500K	480-120	320	PC2

*Double ended lamps (70W M85, 100W M91, 150W M81)

Pulse Start Metal Halide

Catalog Number	Voltage	Wattage	Diagram
P350MLTAC4M500K	120/208/240/277	350	PC2
P350ML5AC4M500K	Multi-5	350	PC2
P350MLTAC4O500K	120/208/240/277	350	PC2
P350ML5AC4O500K	Multi-5	350	PC2
P35048TAC4O500K	480-120	350	PC2
P400MLTAC4L500K	120/208/240/277	400	PC2
P400ML5AC4L500K	Multi-5	400	PC2
P40048TAC4L500K	480-120	400	PC2
P450MLTAC4L500K	120/208/240/277	450	PC2

Catalog Number	Voltage	Wattage	Diagram
P450ML5AC4L500K	Multi-5	450	PC2
P45048TAC4L500K	480-120	450	PC2
P750MLTAC5M500K	120/208/240/277	750	PC3
P750ML5AC5M500K	Multi-5	750	PC3
P75048TAC5M500K	480-120	750	PC3
P875MLTAC5M500K	120/208/240/277	775/875	PC3
P1000MLTAC5M500K	120/208/240/277	1000	PC3
P1000ML5AC5M500K	Multi-5	1000	PC3

High Pressure Sodium

Catalog Number	Voltage	Wattage	Diagram
S50MLTLC3M500K	120/208/240/277	50	PC1
S70MLTLC3M500K	120/208/240/277	70	PC1
S7048TLC3M500K	480-120	70	PC1
S100MLTLC3M500K	120/208/240/277	100	PC1
S10048TLC3M500K	480-120	100	PC1
S150MLTLC30500K	120/208/240/277	150	PC1
S15048TLC3M500K	480-120	150	PC1
S200MLTAC4M500K	120/208/240/277	200	PC2
S20048TAC4M500K	480-120	200	PC2
S250ML5AC40500K	Multi-5	250	PC2
S250MLTAC4M500K	120/208/240/277	250	PC2

Catalog Number	Voltage	Wattage	Diagram
S25048TAC4M500K	480-120	250	PC2
S400ML5AC4M500K	Multi-5	400	PC2
S400MLTAC4M500K	120/208/240/277	400	PC2
S400ML5AC5M500K	480-120	400	PC3
S400ML5AC5M500K	Multi-5	400	PC3
S400MLTAC5M500K	120/208/240/277	400	PC3
S40048TAC5M500K	480-120	400	PC3
S600MLTAC5M500K	120/208/240/277	600	PC3
S1000MLTAC5M500K	120/208/240/277	1000	PC3
S1000ML5AC5M500K	Multi-5	1000	PC3
S100048TAC5M500K	480-120	1000	PC3



F-Can Ballasts

Universal's F-Can ballasts are ideal for indoor applications where quiet operation is essential.

- All components are enclosed in a fluorescent-style ballast and are thermally protected.
- UL and CSA listed.
- Available with 120V/277V taps and 120V/347V taps.

Metal Halide

Catalog Number	Wattage	Voltage	Overall Length	Case Length	Mount Dim
1110-245SC-TC	175	120 or 277	14.32	13.19	13.75
1110-564C-TC	175	120 or 347	11.75	10.55	11.10
1110-246C-TC	250	120 or 277	16.75	15.57	16.13
1111-246C-TC	250	120 or 277	11.75	10.55	11.10
1110-566C-TC	250	120 or 347	16.65	15.55	16.10
1110-247SC-TC	400	120 or 277	19.25	18.06	18.63
1111-247SC-TC	400	120 or 277	14.31	13.19	13.75
1110-568C-TC	400	120 or 347	19.25	18.05	18.60

Pulse Start Metal Halide

Catalog Number	Wattage	Voltage	Overall Length	Case Length	Mount Dim
1120-251A-TC	35/39	120	9.50	8.35	8.85
11210-236C-TC	50	120 or 277	11.75	10.56	11.14
11210-277C-TC*	70	120 or 277	11.75	10.56	11.14
11210-506C-TC*	70	120 or 277	11.75	10.56	11.14
11210-554C-TC	70	120 or 347	11.75	10.56	11.14
11210-239C-TC	100	120 or 277	11.75	10.56	11.14
11210-606C-TC	100	120 or 347	11.75	10.56	11.14
11210-242C-TC*	150	120 or 277	14.31	13.19	13.75
11210-539C-TC	150	120 or 277	14.31	13.19	13.75

*Double ended lamps (70W M85 & 150W M81)

High Pressure Sodium

Catalog Number	Wattage	Voltage	Overall Length	Case Length	Mount Dim
12210-261C-TC	35	120 or 277	11.75	10.55	11.10
12210-236C-TC	50	120 or 277	11.75	10.55	11.10
12210-237C-TC	70	120 or 277	11.75	10.56	11.14
12210-552C-TC	70	120 or 347	11.75	10.55	11.10
12210-239C-TC	100	120 or 277	11.75	10.55	11.10
12210-606C-TC	100	120 or 347	11.75	10.55	11.10
12210-241C-TC	150	120 or 277	14.30	13.15	13.75
12210-602C-TC	150	120 or 347	14.30	13.15	13.75



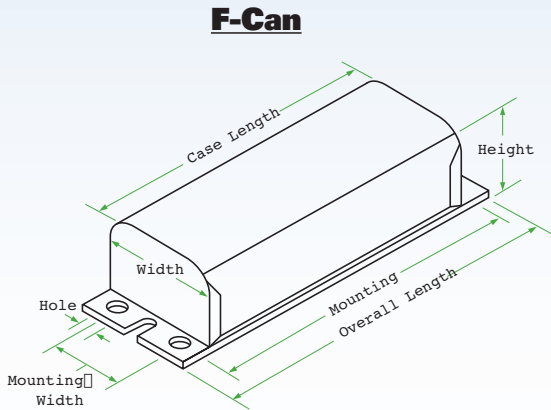
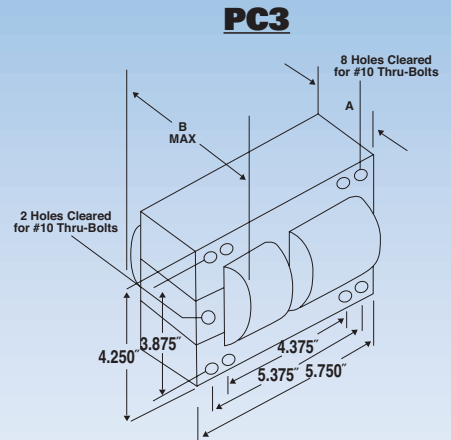
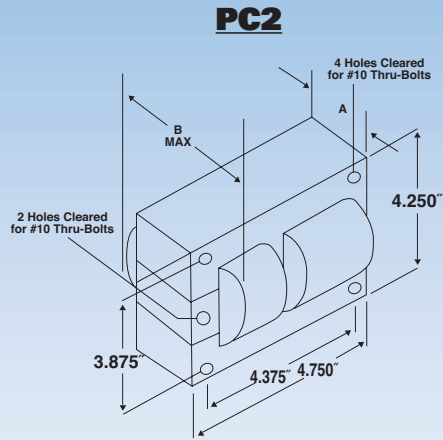
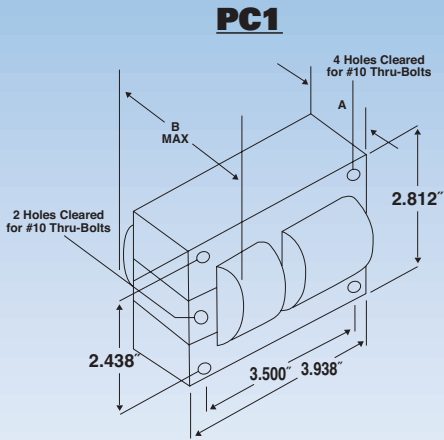
Multi-5[®] Uni-Pak The Complete HID Solution

Universal's Multi-5 Uni-Pak ballast and lamp replacement kits offer all the benefits of the distributor kit with the addition of a lamp.

- Includes the ballast, lamp and all components and hardware needed for fast and accurate ballast replacement.

Catalog Number	Description	Length	Height	Width	Weight
M175ML5AC3M555K	175W MH M57 Multi-5™ Ballast & M57 Lamp Kit	11.5	10.0	5.0	9.0
M250ML5AC3M555K	250W MH M58 Multi-5™ Ballast & M58 Lamp Kit	12.1	6.8	12.1	10.7
M250ML5AC40555K	250W MH M58 Multi-5™ Ballast & M58 Lamp Kit	12.1	6.8	12.1	14.1
M400ML5AC4M555K	400W MH M59 Multi-5™ Ballast & M59 Lamp Kit	12.6	6.6	14.0	14.7
M1000ML5AC5M555K	1000W MH M47 Multi-5™ Ballast & M47 Lamp Kit	18.0	17.0	8.5	25.1
S250ML5AC4M500K	250W HPS S50 Multi-5™ Ballast & S50 Lamp Kit	12.1	6.8	12.1	15.0
S400ML5AC4M555K	400W HPS S51 Multi-5™ Ballast & S51 Lamp Kit	12.1	6.8	12.1	18.1
S1000ML5AC5M555K	1000W HPS S52 Multi-5™ Ballast & S52 Lamp Kit	18.0	17.0	8.5	26.0

Reference Diagrams



Lamp Data for Multi-5 Uni-Pak

Wattage	Description	Bulb	Base	Color	CRI
175W MH	MVR175/U	ED28	Mogul	4000	65
250W MH	MVR250/U	ED28	Mogul	4200	65
400W MH	MVR400/U	ED37	Mogul	4000	65
1000W MH	MVR1000/U	BT56	Mogul	4000	65
250W HPS	LU250	ED18	Mogul	2100	22
400W HPS	LU400	ED18	Mogul	2100	22
1000W HPS	LU1000	E25	Mogul	2100	22

IT'S EASY TO REACH US...



Universal Lighting Technologies, Inc.
26 Century Blvd., Suite 500
Nashville, TN 37214-3683



General Info: (615) 316-5100
For Technical Engineering Services (TES), application support and warranty information, call 1-800-BALLAST



Website: www.unvlt.com
Email: webmaster@unvlt.com

LIT#ESBHID0711

