

REVISIONS		
REV	DESCRIPTION	DATE
C0	CHANGED PER ECN 15-006	03/27/2015
B2	CHANGED PER ECN 15-005	03/27/2015
B1	CHANGED PER ECN ES 2015011401	01/19/2015
B0	CHANGED PER ECN 14-014, 14-015, 14-020 AND 14-021	11/03/2014
A0	RELEASE TO PRODUCTION	04/23/2014

SAFETY STANDARDS COMPLIANCE:
 UL8750
 UL1310

LVD EN61347-2-13
 EMI STANDARDS:
 FCC 47 CFR PART 15 CLASS B
 CE EN55015, EN61547
 EN61000-4-2,3,4,5,6,8,11

SAFETY CERTIFICATIONS
 UL, cUL E357847
 LVD EFSN14081229E-L
 EMC dir EFSN14081229E-E
 FCC pending

INPUT RANGE:
 110-277 VAC, 460-160mA @ FULL LOAD.

FREQUENCY: 50/60 Hz.

EFFICIENCY: 87 % Typ.

PEAK INRUSH:
 27 AMPS @ 110V AC

DIMMING:
 AC Phase - Trailing edge only

POWER FACTOR: >0.98

LEAKAGE CURRENT:
 < 0.01mA @277VAC
 Surge Immunity: 2.5 KVac

STANDARD LOAD RANGE:				
OUTPUT	MIN	MAX	LOAD REG	MAX. RIP
1660mA	16V	24V	±5%	2.4%

COOLING: CONVECTION

NOISE LEVEL: <24 dB (Doc 149600329)

RELIABILITY (MTBF): (MIL-HDBK-217E)
 100,000 HRS. @ 25 DEG. C @ FULL LOAD

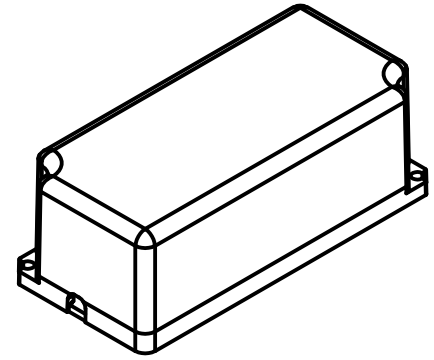
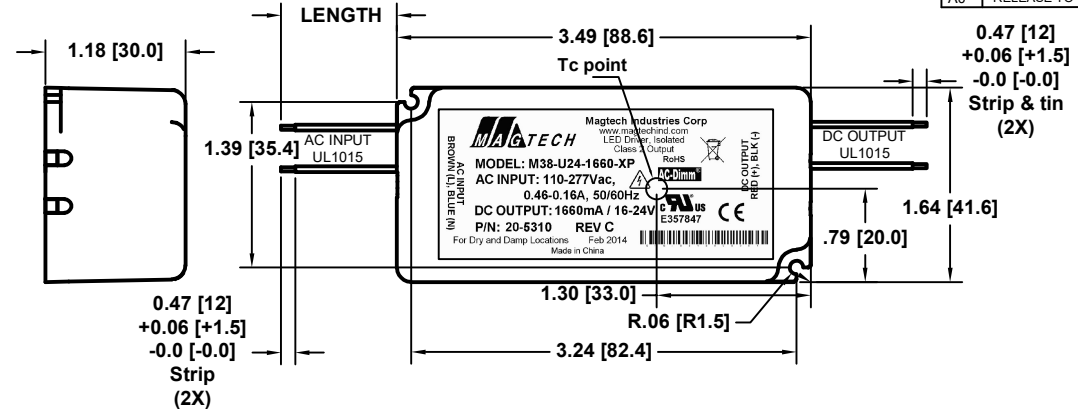
ENVIRONMENTAL CONDITIONS:
 OPERATING TEMPERATURE: -30 ~ 50°C
 RELATIVE HUMIDITY: 5 ~ 95%
 LOCATION: For Dry and Damp Use Only

CONNECTOR:
 N/A

PROTECTION:
 OCP,SCP,OPP
 AUTO-RECOVERY

PF, THD AND EFFICIENCY CALCULATIONS ARE BASED ON THE LOADING OF THE DRIVER TO MINIMUM 65% AND MAXIMUM 100% OF 40W

- Notes:
- 1.- Magtech provides 3 years warranty (standard)
 - 2.- Bar code defined by drawing 77-0120.
 - 3.- Transformer - Class 130 (B), Insulation system
 - 4.- Start up time is <1second



CON	PIN	COLOR	OUTPUT	AWG	LENGTH
AC IN	---	BROWN	LINE	18	6.5 [165]
	---	BLUE	NEUTRAL	18	
DC OUT	---	RED	+V	20	± 0.5 [± 13]
	---	BLACK	GND	20	

MAGTECH Magtech Industries Corp
 www.magtechind.com
 LED Driver, Isolated Class 2 Output
 RoHS

MODEL: M38-U24-1660-XP

AC INPUT: 110-277Vac, 0.46-0.16A, 50/60Hz

DC OUTPUT: 1660mA / 16-24V

P/N: 20-5310 REV C

For Dry and Damp Locations Feb 2014 Made in China

AC INPUT BROWN (L), BLUE (N)
 DC OUTPUT RED (+), BLK (-)

MANUFACTURED BY: ES

THIS ITEM IS THE PROPERTY OF MAGTECH INDUSTRIES AND CONTAINS PROPRIETARY CONFIDENTIAL AND TRADE SECRET INFORMATION. THE INFORMATION CONTAINED HEREIN MUST NOT BE USED, DISCLOSED OR REPRODUCED IN WHOLE OR IN PART WITHOUT PRIOR WRITTEN CONSENT FROM MAGTECH IND.

UNLESS OTHERWISE SPECIFIED	QC:	MAGTECH	
DIMENSIONS IN INCHES (MM)			
TOLERANCES:		TITLE: M38-U24-1660-XP, 110-277VAC, 1660mA, 16-24V	
.X DECIMALS: ± .05 [1.3]		APPROVAL DATE: 04/24/2014	MODEL NO. M38-U24-1660-XP
.XX DECIMALS: ± .02 [0.5]		EFFECTIVE DATE: 04/23/2014	DWG NO. M20-5310
.XXX DECIMALS: ± .005 [0.13]			REV. C0
ANGLES: 1°			SH OF 1 1
FRACTIONS: 1/16			

DO NOT SCALE THIS DRAWING
 INTERPRET DRAWING PER ANSI Y14.5M

FORM PF-004