

REVISIONS		
REV	DESCRIPTION	DATE
C0	CHANGED PER ECN 15-022	09/15/2015
B2	CHANGED PER ECN 15-005	03/27/2015
B1	CHANGED PER ECN ES 2015011401	01/19/2015
B0	CHANGED PER ECN 14-014, 14-015, 14-020 AND 14-021	11/03/2014
A0	RELEASE TO PRODUCTION	05/05/2014

**SAFETY STANDARDS COMPLIANCE:**  
UL8750  
UL1310

LVD EN61347-2-13  
EMI STANDARDS:  
FCC 47 CFR PART 15 CLASS B  
CE EN55015, EN61547  
EN61000-4-2,3,4,5,6,8,11

**SAFETY CERTIFICATIONS**  
UL, cUL E357847  
LVD EFSN14081229E-L  
EMC dir EFSN14081229E-E  
FCC pending

SAFETY

**INPUT RANGE:**  
110~277 VAC, 460~160mA  
@ FULL LOAD.

**FREQUENCY:** 50/60 Hz.

**EFFICIENCY:** 87 % Typ.

**PEAK INRUSH:**  
27 AMPS @ 110V AC

**DIMMING:**  
AC Phase - Trailing edge only

**POWER FACTOR:** >0.98

**LEAKAGE CURRENT:**  
< 0.01mA @277VAC  
Surge Immunity: 2.5 KVac

INPUT

STANDARD LOAD RANGE:				
OUTPUT	MIN	MAX	LOAD REG	MAX. RIP
1250mA	20V	30V	±5%	2.4%

OUTPUT

**COOLING:** CONVECTION

**NOISE LEVEL:** <24 dB (Doc 149600329)

**RELIABILITY (MTBF):** (MIL-HDBK-217E)  
100,000 HRS. @ 25 DEG. C @ FULL LOAD

**ENVIRONMENTAL CONDITIONS:**  
OPERATING TEMPERATURE: -30 ~ 50°C  
RELATIVE HUMIDITY: 5 ~ 95%  
LOCATION: For Dry and Damp Use Only

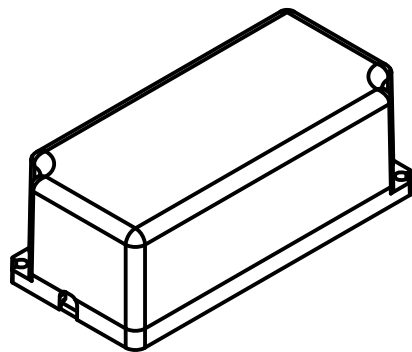
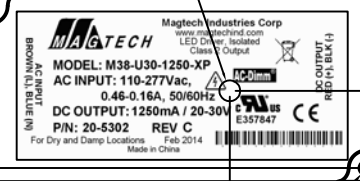
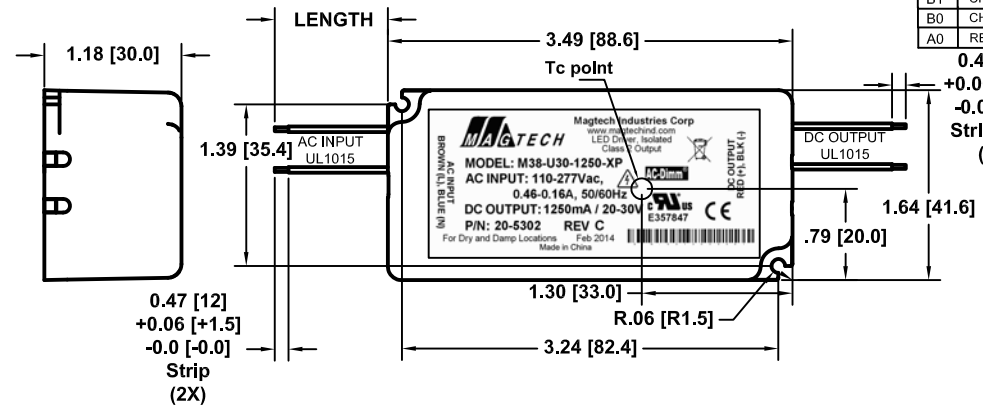
**CONNECTOR:**  
N/A

**PROTECTION:**  
OCP,SCP,OPP  
AUTO-RECOVERY

MISCELLANEOUS

PF, THD AND EFFICIENCY CALCULATIONS ARE BASED ON THE LOADING OF THE DRIVER TO MINIMUM 65% AND MAXIMUM 100% OF 40W

- Notes:
- Magtech provides 3 years warranty (standard)
  - Bar code defined by drawing 77-0120.
  - Transformer - Class 130 (B), Insulation system



**MAGTECH** Magtech Industries Corp  
www.magtechind.com  
LED Driver, Isolated Class 2 Output

**MODEL: M38-U30-1250-XP**  
**AC INPUT: 110-277Vac,** **AC-Dimm**  
**0.46-0.16A, 50/60Hz**  
**DC OUTPUT: 1250mA / 20-30V**   
**P/N: 20-5302 REV C** E357847  
For Dry and Damp Locations Feb 2014  
Made in China

AC INPUT BROWN (L), BLUE (N)  
DC OUTPUT RED (+), BLK (-)

CON	PIN	COLOR	OUTPUT	AWG	LENGTH
AC IN	--	BROWN	LINE	18	6.5 [165]
	--	BLUE	NEUTRAL	18	
DC OUT	--	RED	+V	20	± 0.5 [± 13]
	--	BLACK	GND	20	

MANUFACTURED BY: ES

THIS ITEM IS THE PROPERTY OF MAGTECH INDUSTRIES AND CONTAINS PROPRIETARY CONFIDENTIAL AND TRADE SECRET INFORMATION. THE INFORMATION CONTAINED HEREIN MUST NOT BE USED, DISCLOSED OR REPRODUCED IN WHOLE OR IN PART WITHOUT PRIOR WRITTEN CONSENT FROM MAGTECH INC.

**MAGTECH**

TITLE: M38-U30-1250-XP, 110~277VAC, 1250mA, 20~30V

DO NOT SCALE THIS DRAWING	APPROVAL DATE: 05/05/2014	MODEL NO.	DWG NO.	REV. C0	SH OF
INTERPRET DRAWING PER ANSI Y14.5M	EFFECTIVE DATE: 05/05/2014	M38-U36-1250-XP	M20-5302		1 1