



MASTER LEDspot LV AR111

MAS LEDspotLV D 11-50W 930 AR111 24D

With its new perfect-fit design, the Master LEDspot LV AR111 now works with most of G53 luminaires as a true retrofit solution. The lamp creates a brilliant visual effect for retail and hospitality applications such as shops, showrooms and galleries. The high quality light brings out the true colors in merchandise and emphasizes its beauty. It also lasts long, with a strong lumen and color maintenance. The beautifully designed lamp offers a well-defined beam with a multitude of beam angles to suit various applications. Not only does it employ the Philips patented solution to ensure it is compatible with a broad selection of standard 12V halogen electronic transformers, it also delivers high beam intensity which equivalent to halogen AR111 spots of 50W, 75W or 100W.

Product data

General Information		Color Consistency	
Cap-Base	G53 [G53]	Color Rendering Index (Nom)	90
EU RoHS compliant	Yes	LLMF At End Of Nominal Lifetime (Nom)	70 %
Nominal Lifetime (Nom)	40000 h	Luminous Flux in 90° Cone (Rated)	580 lm
Switching Cycle	50000X		
Technical Type	11-50W	Operating and Electrical	
		Power (Nom)	11 W
		Lamp Current (Nom)	1300 mA
		Wattage Equivalent	50 W
		Starting Time (Nom)	0.5 s
		Warm Up Time to 60% Light (Nom)	0.5 s
		Power Factor (Nom)	0.7
		Voltage (Nom)	12 V
Light Technical			
Color Code	930 [CCT of 3000K]		
Beam Angle (Nom)	24 °		
Luminous Flux (Nom)	580 lm		
Luminous Intensity (Nom)	3000 cd		
Color Designation	White (WH)		
Correlated Color Temperature (Nom)	3000 K		
Luminous Efficacy (rated) (Nom)	52.73 lm/W		

MASTER LEDspot LV AR111

Temperature

T-Case Maximum (Nom)	70 °C
----------------------	-------

Controls and Dimming

Dimmable	Yes
----------	-----

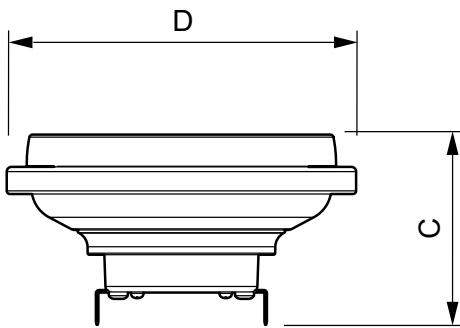
Approval and Application

Energy Efficiency Label (EEL)	A
Suitable For Accent Lighting	Yes
Energy Consumption kWh/1000 h	13 kWh

Product Data

Full product code	871869651490000
Order product name	MAS LEDspotLV D 11-50W 930 AR111 24D
EAN/UPC - Product	8718696514900
Order code	929001169902
Numerator - Quantity Per Pack	1
Numerator - Packs per outer box	6
Material Nr. (12NC)	929001169902
Net Weight (Piece)	0.160 kg

Dimensional drawing

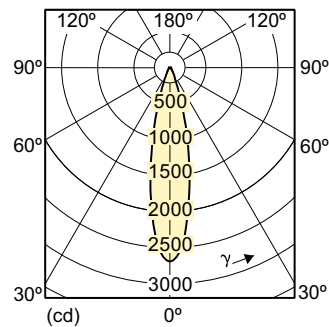
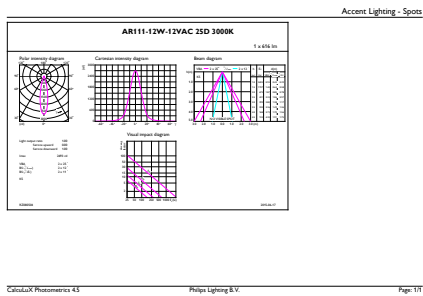


LED D 11-50W 930 AR111 24D

Product

MAS LEDspotLV D 11-50W 930 AR111 24D

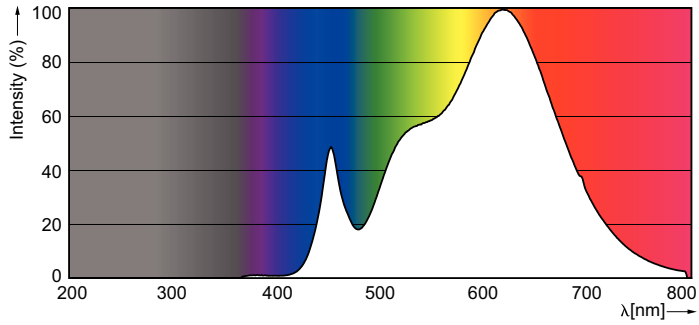
Photometric data



MASTER LEDspot LV AR111 50W G53 930 24D

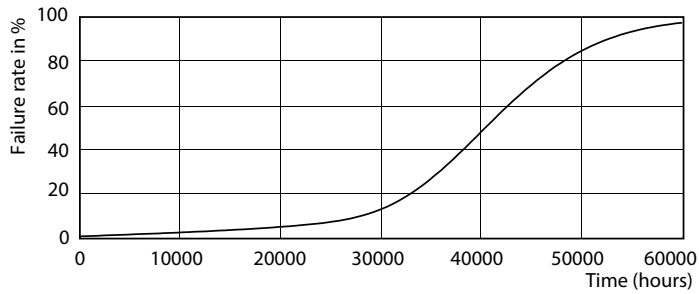
MASTER LEDspot LV AR111

Photometric data

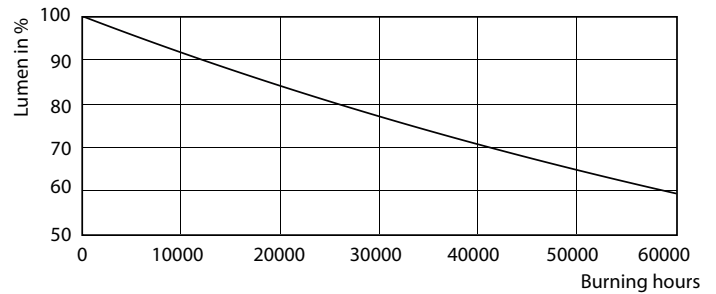


SDPO_LEDspotL_0026-Spectral Power distribution

Lifetime



MASTER LEDspotLV AR111 75W G53 940 40D



MASTER LEDspotLV AR111 75W G53 940 40D

