



MASTER LEDspot LV AR111

MAS LEDspotLV D 20-100W 930 AR111 45D

With its new perfect-fit design, the Master LEDspot LV AR111 now works with most of G53 luminaires as a true retrofit solution. The lamp creates a brilliant visual effect for retail and hospitality applications such as shops, showrooms and galleries. The high quality light brings out the true colors in merchandise and emphasizes its beauty. It also lasts long, with a strong lumen and color maintenance. The beautifully designed lamp offers a well-defined beam with a multitude of beam angles to suit various applications. Not only does it employ the Philips patented solution to ensure it is compatible with a broad selection of standard 12V halogen electronic transformers, it also delivers high beam intensity which equivalent to halogen AR111 spots of 50W, 75W or 100W.

Product data

General Information		Color Consistency	
Cap-Base	G53 [G53]	Color Rendering Index (Nom)	91
EU RoHS compliant	Yes	LLMF At End Of Nominal Lifetime (Nom)	70 %
Nominal Lifetime (Nom)	25000 h	Luminous Flux in 90° Cone (Rated)	1200 lm
Switching Cycle	50000X	Operating and Electrical	
Technical Type	20-100W	Input Frequency	- Hz
Light Technical		Power (Nom)	20 W
Color Code	930 [CCT of 3000K]	Lamp Current (Nom)	2400 mA
Beam Angle (Nom)	45 °	Wattage Equivalent	100 W
Luminous Flux (Nom)	1200 lm	Starting Time (Nom)	0.5 s
Luminous Intensity (Nom)	1800 cd	Warm Up Time to 60% Light (Nom)	0.5 s
Color Designation	White (WH)	Power Factor (Nom)	0.7
Correlated Color Temperature (Nom)	3000 K	Voltage (Nom)	ac electronic 12 V
Luminous Efficacy (rated) (Nom)	60.00 lm/W		

MASTER LEDspot LV AR111

Temperature

T-Case Maximum (Nom)	80 °C
----------------------	-------

Controls and Dimming

Dimmable	Yes
----------	-----

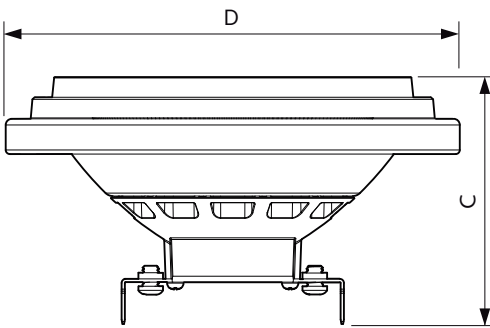
Approval and Application

Energy Efficiency Label (EEL)	A
Suitable For Accent Lighting	Yes
Energy Consumption kWh/1000 h	22 kWh

Product Data

Full product code	871869970517600
Order product name	MAS LEDspotLV D 20-100W 930 AR111 45D
EAN/UPC - Product	8718699705176
Order code	929002050602
Numerator - Quantity Per Pack	1
Numerator - Packs per outer box	6
Material Nr. (12NC)	929002050602
Net Weight (Piece)	0.160 kg

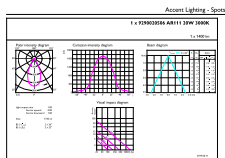
Dimensional drawing



MAS LEDspotLV D 20-100W 930 AR111 45D

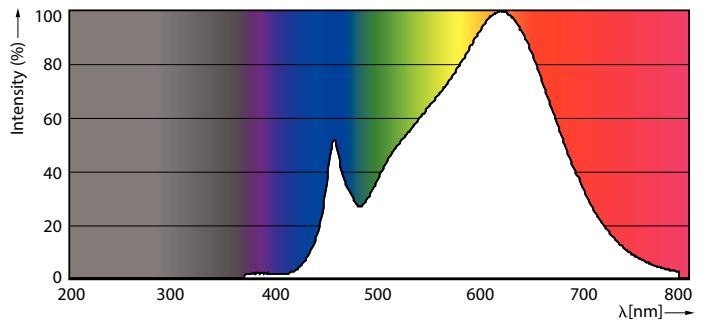
Product	D	C
MAS LEDspotLV D 20-100W 930 AR111 45D	111 mm	62 mm

Photometric data



LEDspot LV D 20-100W 930 AR111 45D

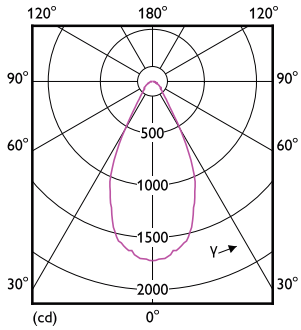
LEDspots 100W G53 AR111 930 45D



LEDspots 100W G53 AR111 930

MASTER LEDspot LV AR111

Photometric data



LEDspots 100W G53 AR111 930 45D

Lifetime



LEDspots LED 25K



LEDspots LMP 25K

