



MASTER LEDtube EM/ Mains T8

MAS LEDtube 600mm 9W 865 T8 RN

The Philips MASTER LEDtube integrates a LED light source into a traditional fluorescent form factor. Its unique design creates a perfectly uniform visual appearance which cannot be distinguished from traditional fluorescent. For those that are looking for value for money within limited budget and re-lamping efforts for better light effect and lifetime.

Product data

General Information	
Cap-Base	G13 [Medium Bi-Pin Fluorescent]
Main Application	Industrial
Nominal Lifetime (Nom)	50000 h
Switching Cycle	200000X
B50L70	50000 h

Light Technical	
Color Code	865 [CCT of 6500K]
Beam Angle (Nom)	160 °
Luminous Flux (Nom)	1050 lm
Luminous Flux (Rated) (Nom)	1050 lm
Rated Beam Angle	160 °
Correlated Color Temperature (Nom)	6500 K
Luminous Efficacy (rated) (Nom)	117 lm/W
Color Consistency	<6
Color Rendering Index (Nom)	83
LLMF At End Of Nominal Lifetime (Nom)	70 %

Operating and Electrical	
Input Frequency	50 to 60 Hz
Power (Rated) (Nom)	9 W
Lamp Current (Max)	43 mA
Lamp Current (Min)	36 mA
Starting Time (Nom)	0.5 s
Warm Up Time to 60% Light (Nom)	0.1 s
Power Factor (Nom)	0.9
Voltage (Nom)	220-240 V

Temperature	
T-Ambient (Max)	35 °C
T-Ambient (Min)	-20 °C
T-Storage (Max)	65 °C
T-Storage (Min)	-40 °C
T-Case Maximum (Nom)	55 °C

Controls and Dimming	
Dimmable	No

MASTER LEDtube EM/Mains T8

Mechanical and Housing

Product Length 600 mm

Approval and Application

Energy Efficiency Label (EEL) A+

Energy Saving Product Yes

Suitable For Accent Lighting No

Approval Marks CE marking KEMA Keur certificate RoHS compliance

Energy Consumption kWh/1000 h 9 kWh

Product Data

Full product code 871869657283200

Order product name MAS LEDtube 600mm 9W 865 T8 RN

EAN/UPC - Product 8718696572832

Order code 929001239602

Numerator - Quantity Per Pack 1

Numerator - Packs per outer box 10

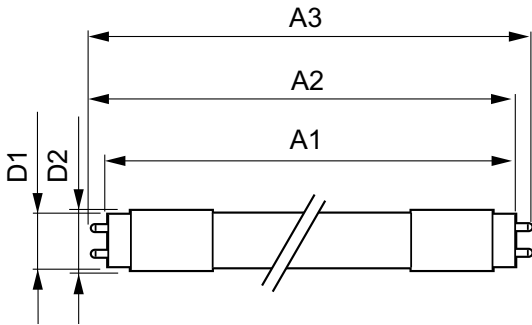
Material Nr. (12NC) 929001239602

Net Weight (Piece) 0.150 kg

Warnings and Safety

- NOTES: The overall energy efficiency and light distribution of any installation that uses these lamps are determined by the design of the installation.

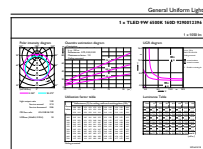
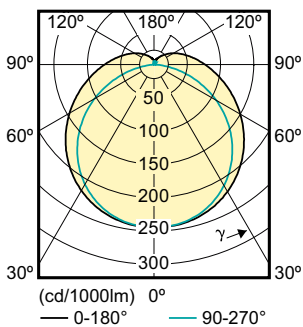
Dimensional drawing



TLED 2ft 220-240V 9W-18W 6500K G13 ND

Product	D1	D2	A1	A2	A3
MAS LEDtube 600mm 9W 865 T8 RN	25.78 mm	28 mm	588.6 mm	595.7 mm	602.8 mm

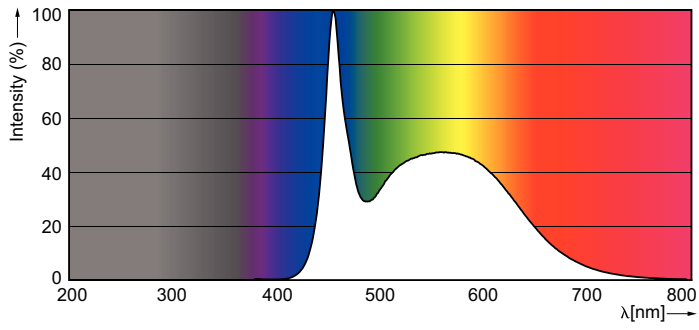
Photometric data



TLED 2ft 220-240V 9W-18W 6500K G13

MASTER LEDtube EM/Mains T8

Photometric data



LEDtube 1200 mm UO 20 W /865 T8 ROT

