

AXC & AXS Series
Aluminum Channels



| | |
|----------------|------------------------------------|
| Material | 6063-T5 Aluminum Alloy |
| Surface Finish | Anodized/Powder Coated |
| Lens Choices | Clear/Frosted/Milky |
| Internal Width | 10mm/12.2mm |
| Stock Length | 0.5-3M |
| Installation | Corner Mounted/ Surface Mounted |

45 Degree Angle LED Aluminum Profile for LED Strip Light Corner Mounted. Square LED Aluminum Profile for LED Strip Light Surface Mounted

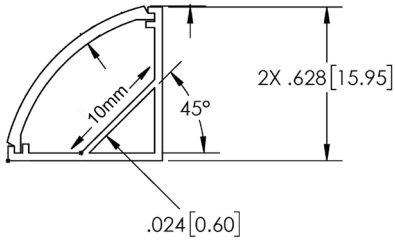
| Model | Style | (*X) Channel | (*Y) Lens | Stock Length |
|-----------------------|---------------|-------------------------------|--------------------------------|--------------|
| AXC001-1616(*X, *Y)-2 | Quarter Round | (S)Silver, (W)White, (B)Black | (C)Clear, (F)Frosted, (M)Milky | 2M/6.6ft. |
| AXS001-1214(*X, *Y)-2 | Square | (S)Silver, (W)White, (B)Black | (C)Clear, (F)Frosted, (M)Milky | 2M/6.6ft. |
| AXS002-1707(*X, *Y)-2 | Square | (S)Silver, (W)White, (B)Black | (C)Clear, (F)Frosted, (M)Milky | 2M/6.6ft. |
| AXS001-1207(*X, *Y)-2 | Square | (S)Silver, (W)White, (B)Black | (C)Clear, (F)Frosted, (M)Milky | 2M/6.6ft. |
| AXS001-2310(*X, *Y)-2 | Square | (S)Silver, (W)White, (B)Black | (C)Clear, (F)Frosted, (M)Milky | 2M/6.6ft. |

MODEL SPECIFICATIONS

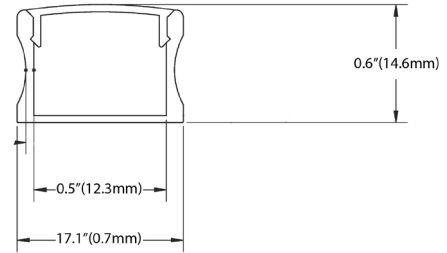
| MODEL | DIMENSIONS |
|-----------------------|-------------------------------|
| AXCOO1-1616(*X, *Y)-2 | 0.6”(16mm) x 0.6”(16mm) |
| AXS001-1214(*X, *Y)-2 | 0.7”(17.1mm) x 0.6”(14.6mm) |
| AXS002-1707(*X, *Y)-2 | 0.69”(17.4mm) x 0.30”(7.50mm) |
| AXS001-1207(*X, *Y)-2 | 0.47”(12mm) x 0.28”(7mm) |
| AXS001-2310(*X, *Y)-2 | 0.9”(23mm) x 0.04”(10mm) |

AXC & AXS Series
Aluminum Channels

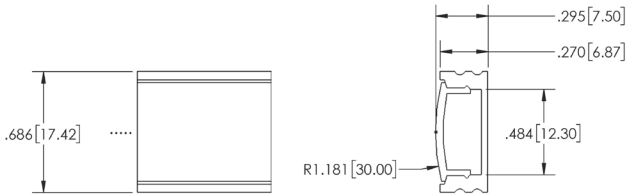
AXC001-1616-2 (Quarter round)



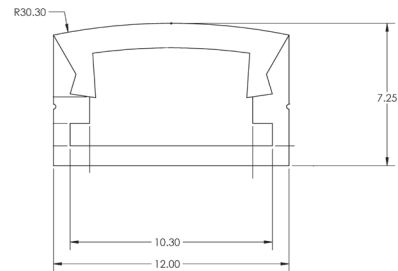
AXS001-1214-2 (Square)



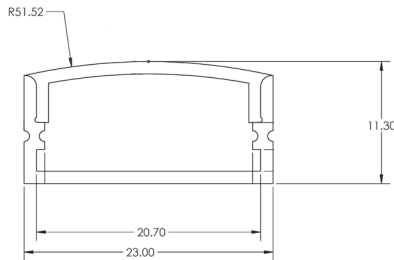
AXS002-1707-2 (Square)



AXS001-1207-2 (Square)



AXS001-2310-2 (Square)



ACCESSORIES

| MODEL | TYPE |
|-------------|--|
| MC001-1214S | Mounting clip, Square, Silver |
| MC001-1616S | Mounting clip, Quarter round, Silver |
| MC001-1616B | Mounting clip, Quarter round, Black |
| EC001-1214S | End cap set, square, Silver |
| EC001-1616B | End cap set, Quarter round, Black |
| CL001-1214F | L corner connector, Square, Frosted |
| CL001-1616F | L corner connector, Quarter round, Frosted |
| CL001-1616B | L corner connector, Quarter round, Black |

MC001-1214S



MC001-1616S



MC001-1616B



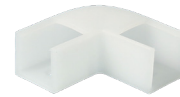
EC001-1214S



EC001-1616B



CL001-1214F



CL001-1616F

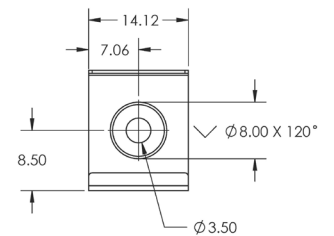
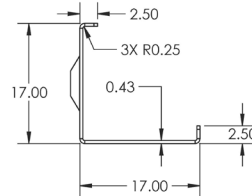
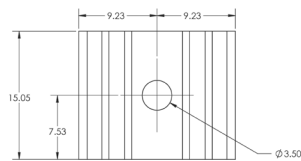
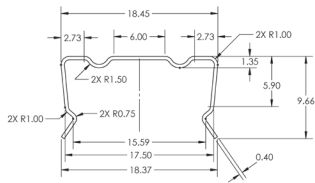


CL001-1616B



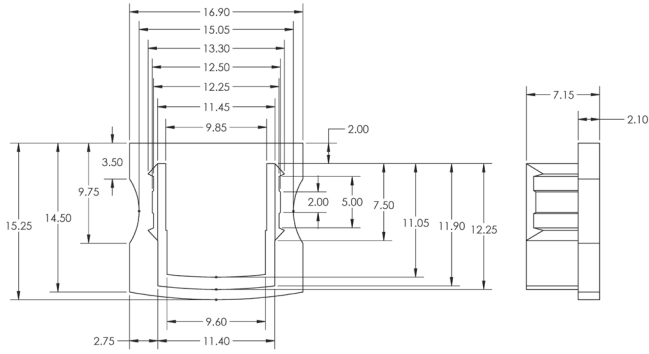
MC001-1214

MC001-1616

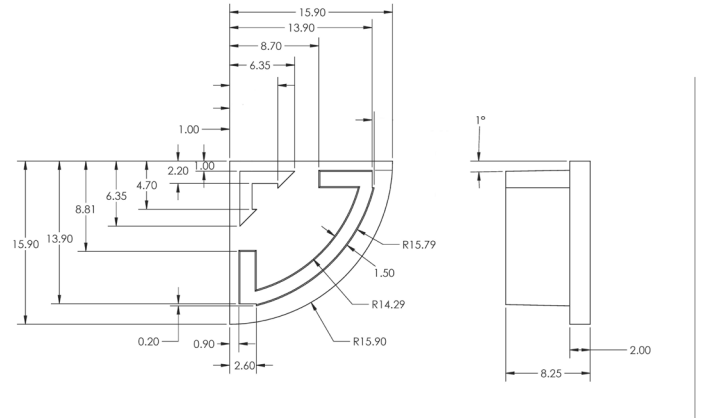


AXC & AXS Series
Aluminum Channels

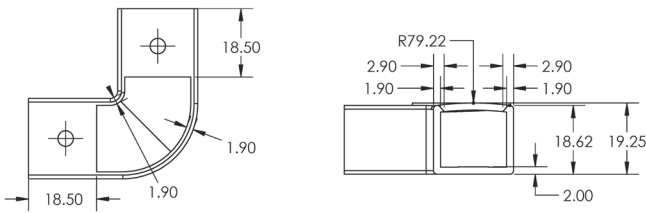
EC001-1214



EC001-1616



CL001-1214



CL001-1616

