



PROJECT NAME: _____
 NOTES: _____

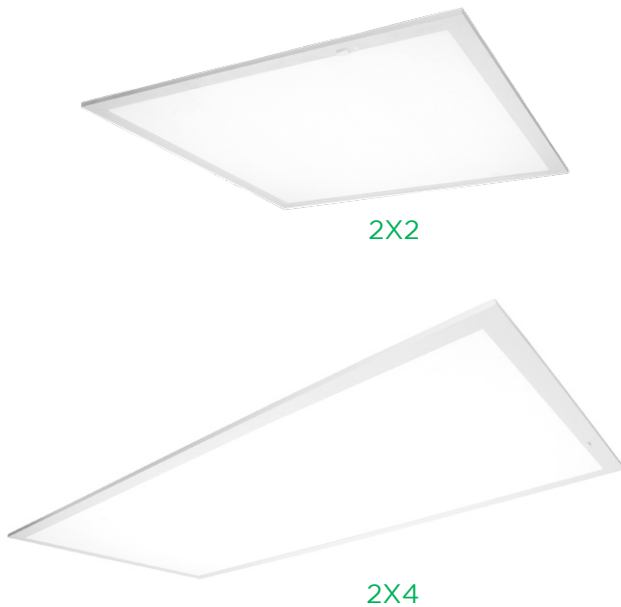
CAT. #: _____
 FIXTURE SCHEDULE: _____

FlatMax High Lumen Controls Ready Flat Panel

MLFP Enhanced Series

Product Description

Maxlite's new High Lumen Back-lit Flat Panels deliver up to 7500 lumens in a 2x4 size and 6000 lumens in 2x2 size, making them ideal for high-ceiling commercial interiors such as offices, schools, and healthcare facilities. With an impressive 125 lumens per watt (LPW), these DLC Premium qualified panels provide highly efficient, uniform illumination. They offer the versatility of field-selectable color temperatures and wattages to suit various application needs. As a true Controls Ready (CR) product, this series features Maxlite's patented c-Max plug-and-play system, allowing for easy integration of control options, even in systems not pre-wired for controls.



Features

- IC Rated
- Up to 7500 lumens in 2x4 and 6000 Lumens in 2x2 size
- Field Wattage and CCT Selectable
- Controls Ready – can be paired with the new cMax controls nodes
- Fixtures are set to lowest wattage and 4000K as default factory setting
- Comes standard with taller J-box for easier wiring
- 0-10V Dimmable (10% to 100%)
- Voltage: 120-277V
- On EM mode, the fixture output a minimum of 1700 lumens for 90 minutes, when fully charged

Controls Ready

MaxLite's new Controls Ready (CR) fixtures allows for quick and easy in-field installation (plug and play) of controls. Simply purchase any CR fixture and the required Controls Node and you're all set! See the accessory table for all controls options available for this fixture.

Controls Features

- Multifunction and Energy Monitoring
- Daylight Sensor
- Occupancy Sensor
- Integral Sensor Receptacle
- High-End Trim
- Bluetooth
- Luminaire Level Lighting Control (LLLC)

Ordering Information

FAMILY	SIZE	PANEL TYPE	WATTAGE SELECTABLE ¹	COLOR TEMPERATURE ¹	CONTROLS	OPTIONS ^{2,3,4}	PACKAGING	SOURCING STRATEGY
MLFP= Flat Panel	22= 2x2'	G5= Backlit	30W= 30W, 40W, 50W	CS= Color Selectable (3500K, 4000K, 5000K)	CR= Controls Ready	BLANK= None E2= Made to order emergency back up EM= Emergency battery back up	BLANK= None /2PK= 2 Pack /2P= 2 Pack	BLANK= Non-TAA Country TA= TAA Country
	24= 2x4'		40W= 40W, 50W, 60W					

1. Default setting for WCS models is set to lowest wattage and 4000K
 2. Battery back up models are available only in Single Pack configuration. On EM mode, the fixture CCT will be set to 5000K
 3. Check the Specification Table for lumen output for EM and E2 suffix
 4. SMK is not compatible with E2 suffix Battery Back up models







FlatMax High Lumen Controls Ready Flat Panel

MLFP Enhanced Series

TAA Stocked Items

ORDER CODE	MODEL NUMBER	DLC PRODUCT ID#	DLC CLASSIFICATION	DLC PRIMARY USE DESIGNATION
111439	MLFP22G530WCSCR/2PTA	S-8PGKWG	Standard	2x2 Luminaires for Ambient Lighting of Interior Commercial Spaces
111443	MLFP22G530WCSCREMTA	S-8PGKWG	Standard	2x2 Luminaires for Ambient Lighting of Interior Commercial Spaces
111440	MLFP24G540WCSCR/2PTA	S-RWSTKB	Premium	2x4 Luminaires for Ambient Lighting of Interior Commercial Spaces
		S-S4ZMB7	Standard	Low-Bay Luminaires for Commercial and Industrial Buildings
111444	MLFP24G540WCSCREMTA	S-RWSTKB	Premium	2x4 Luminaires for Ambient Lighting of Interior Commercial Spaces
		S-S4ZMB7	Standard	Low-Bay Luminaires for Commercial and Industrial Buildings

Accessories (Sold Separately)

ORDER CODE	MODEL NUMBER	DESCRIPTION	IMAGE
104819	ML22G4FK	2x2' Flat Panel Flange Kit	
104820	ML24G4FK	2x4' Flat Panel Flange Kit	
104813	ML22G4SMK	2X2 Flat Panel Surface Mount Kit (23.85" L X 24.97" W X 3.7" H)	
104814	ML24G4SMK	2X4 Flat Panel Surface Mount Kit (47.87" L X 24.97" W X 3.7" H)	
104816	MLG4CHK	"Cable Hanging Kit For 2x2 Flat Panel (40" length)"	
104848	ML24G4CHK	"Cable Hanging Kit For 2x4 Flat Panel - 6 Cables (40" length)"	
108566	EBUUP17015N200B **	Emergency Inverter, 15W, 120-347 VAC, CEC Compliant, Field Installable, 0-50C Ambient Lumens Delivered at field install BBU mode (lm):1870 lm - for 90 minutes, when fully charged	
104794	MLFPG4-BBUBRACKET**	BBU Bracket Kit w/ Screws 2X2 2X4 for GEN 5 WCS Flat Panel	

* SMK is compatible with EM suffix Batter Back up models. SMK is not compatible with E2 suffix Battery Back up models

** For Field Install BBU option, purchase BBU model# EBUUP17015N200B along with the mounting bracket MLFP14G4-BBUBRACKET for 1x4, or MLFPG4-BBUBRACKET for 2x2/ 2x4. Lumens Delivered at field install BBU mode (lm) 1870 lm - for 90 minutes, when fully charged

** Field Install BBU is NOT compatible with Surface Mount Kit/ SMK



FlatMax High Lumen Controls Ready Flat Panel MLFP Enhanced Series

c-Max Controls Microsites and Compatibility Guide

 BASIC LIGHTING CONTROLS	 Microsite	 NETWORK LIGHTING CONTROLS	 Microsite	 Product Compatibility Guide
 EasyRF™ LIGHTING CONTROLS	 Microsite	 NETWORK PARTNERS	 Microsite	

Compatible Controls (SOLD SEPARATELY)*

The table below shows a small subset of control nodes from each tier that directly plug in with the fixture. Refer to individual microsites above for more accessories that could be added based on application requirements.

ORDER CODE	MODEL NUMBER & LINK TO DATA SHEET	DESCRIPTION	QR CODE TO DATA SHEET	IMAGE
c-Max Basic				
105567	CN-REMOTE	CONTROL NODE REMOTE CONTROL		
105890	CN-RTPSW¹	CONTROL NODE RECTANGULAR, PIR MOTION SENSOR/DAYLIGHT HARVESTING, WHITE		
c-Max Network				
105892	NN-RTW	NETWORK NODE RECTANGULAR, WHITE		
105893	NN-RTDHW	NETWORK NODE RECTANGULAR, DAYLIGHT HARVESTING, WHITE		
106059	NN-RTPSW	NETWORK NODE RECTANGULAR, PIR MOTION SENSOR/DAYLIGHT HARVESTING, WHITE		
c-Max EasyRF				
110961	RF-RTPSW	EasyRF NODE RECTANGULAR, PIR MOTION SENSOR/DAYLIGHT HARVESTING, WHITE		
110962	RF-REMOTE	EasyRF REMOTE CONTROL COMMISSIONING TOOL		
c-Max Network Partners - Silvair				
110431	NN-RTPSW-SL	SILVAIR NETWORK NODE RECTANGULAR, PIR MOTION SENSOR/DAYLIGHT HARVESTING, WHITE		
111148	NN-RTW-SL	SILVAIR NETWORK NODE RECTANGULAR, WHITE		
c-Max Network Partners - Casambi				
112428	NN-RTPSW-CA	CASAMBI NETWORK NODE RECTANGULAR, PIR MOTION SENSOR/DAYLIGHT HARVESTING, WHITE		
112429	NN-RTW-CA	CASAMBI NETWORK NODE RECTANGULAR, WHITE		

¹ Maxlite recommends CN-RTPSW (PIR) sensor for most applications with this fixture. If CN-RTMST(microwave) is required for an application, Maxlite recommends a pilot test to confirm there is no interference that causes unexpected responses from the microwave sensor. For additional options and c-Max network Partners components check Maxlite.com/cmax

* Note - This controls ready fixture is compatible with the c-Max platform supporting multiple tiers of controls. The table above shows a small subset of control nodes from each tier that directly plug in with the fixture. Refer to individual microsite above for more accessories that could be added based on application requirements



FlatMax High Lumen Controls Ready Flat Panel

MLFP Enhanced Series

Specifications

Specifications	MLFP22G530WCSCR			MLFP24G540WCSCR		
	2x2'			2x4'		
Size	2x2'			2x4'		
Nominal Wattage (W)*	30W	40W	50W	40W	50W	60W
Lumens Delivered (lm)*	3750	5000	6250	5000	6250	7500
Nominal Efficacy (lm/W)	125			125		
Lumens Delivered at BBU mode (lm) **	1300lm with EM suffix. 1870lm with E2 suffix - for 90 minutes, when fully charged					
CCT*	3500K, 4000K, 5000K					
CRI	≥ 80					
Calculated L70 Lumen Maintenance	≥ 100,000 hours					
Dimming Technology	0-10V					
Dimming Range	10-100%					
Input Voltage	120-277V AC 50/60Hz					
Power Factor	≥ 0.90					
Housing	Steel					
Diffuser	Polystyrene Lens					
Operating Temperature	-4°F to 104°F (-20°C to 40°C), except BBU models. BBU models: 41°F to 104°F (5°C to 40°C)					
Humidity	20% to 85% RH non-condensing					
Certifications	ETLus listed, FCC, RoHs Complaint					
Qualifications	DLC Standard Premium					
Environment	Suitable for Damp locations. IC Rated.					
Warranty	10 Years. Check maxlite.com/warranties for details.					

*Default setting for WCS models is set to lowest wattage and 4000K.

**Lumens delivered at BBU mode varies based on wattage and CCT setting

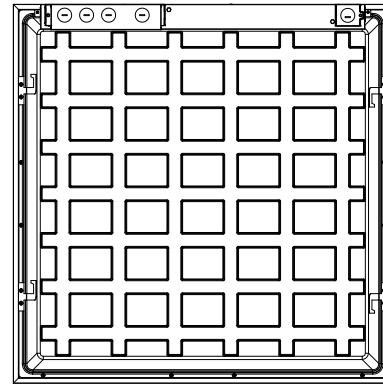
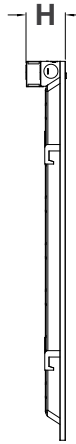
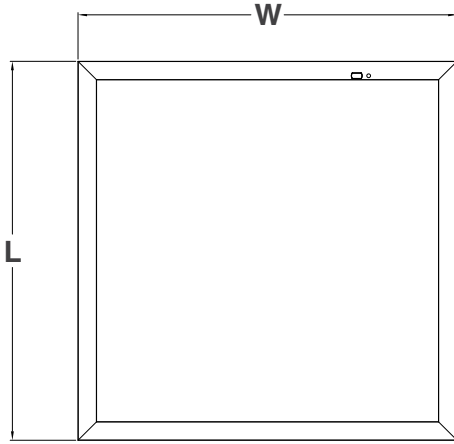
FlatMax High Lumen Controls Ready Flat Panel

MLFP Enhanced Series

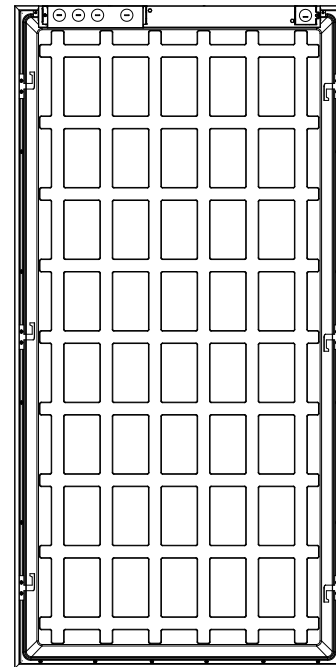
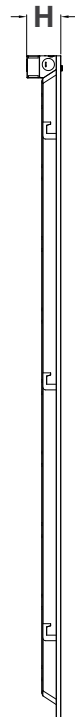
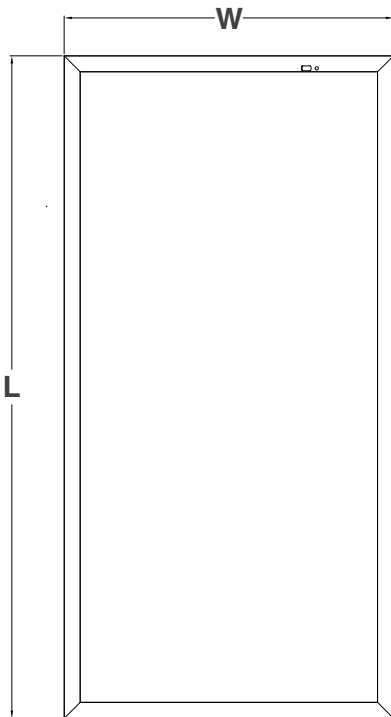
Product Dimensions

PRODUCT	A (L)	B (W)	C (H)	H (EM ADDED)
MLFP22G530WCSCR	23.7 inch	23.7 inch	2.5 inch	3.1 inch
MLFP24G540WCSCR	47.8 inch	23.7 inch		

2x2



2x4



FCC Statement

This device complies with part 15 of the FCC Rules, Operation is subject to the following two conditions: (1) This device may not cause harmful interference, and (2) this device must accept any interference received, including interference that may cause undesired operation.