

## AREA LIGHT

A stunning blend of performance, value and aesthetics, the **MPulse Area Light** is available in a wide range of lumen packages to address a variety of outdoor lighting needs. The Area Light can be combined with a full, architectural-grade LED family to create a total site solution for commercial, municipal, retail, education, and hospitality applications. Optional visual comfort optics distribute light through a non-pixelated light source that creates uniform, eye-pleasing illumination with minimal glare. The high-performance, IP66-rated luminaire delivers a minimum of 120 lumens per watt, providing significant energy savings while remaining durable in the field.



100W



150W & 200W



250W & 300W

**DIMENSIONS:** Please see pg. 4 for dimensional drawings.

100W-300W also available for wall mount applications, use QMP-KS mount



### PERFORMANCE:

- Available in lumen packages ranging from 12,400lm to 38,400lm
- Calculated lumen maintenance value of > 90% (L90) at 100,000 hours calculated at 25°C
- 120-277V dimming standard. 347-480V options available
- 10KV surge suppression standard

### OPTICS:

- Available in Type II, Type III, Type IV, and Type V optics

### OPTIONS:

- NEMA 3-pin and 7-pin photocontrol receptacle
- High/Low/Off PIR fixture-integrated photo/motion sensor compatible with FSIR-100 remote control

### FINISHES:

- Satin bronze and silver finish standard

### CONTROLS:

**Photo/Motion Sensor:** The Wattstopper FSP-211 uses passive infrared (PIR) sensing technology to react to changes in infrared energy (i.e. moving body heat) within the coverage area. This slim, low-profile sensor is designed for installation inside the bottom of a light fixture body and is ideal for outdoor environments. The sensor operates at 120V/230V-240V and single phase 277V. The motion sensor is fully adjustable with dimmed light level options as well as on/off dusk to dawn control. Sensor can be combined with various lenses to operate at mounting heights from 8' to 40'. Factory settings can be adjusted via the FSIR-100, a wireless configuration tool. **Note that the sensor comes with photocell setting disabled and the FSIR-100 must be purchased if photocell functionality is desired.**

**RPC, PR7 Options:** Allow the use of 3rd party distributed intelligence controllers designed to connect to the fixture via our NEMA standard C136.41 3-, and 7-pin twist lock receptacle to provide dimming and On/Off control. Separate Photocontrol options are available, see page 2.

### CONSTRUCTION:

- Die Cast Aluminum housing
- Tempered Glass
- 12" 18/3 cord standard

### MOUNTING:

- Straight arm, trunnion swivel, and 2-3/8" slipfitter knuckle options available.

### ENVIRONMENT:

- Listed for use in wet locations to UL standards and IP66 rated.

### PHOTOMETRICS:

Please see page 6 for Iso-footcandle layouts. All IES files available online

### WARRANTY:

10-year standard warranty with labor allowance\* (further details available at [www.maxlite.com/warranties](http://www.maxlite.com/warranties))

\*Warranty Limitations: Product must be rated for the application per the Product Data Sheet (PDS); operated ≤16 hrs/day; in ambient of -29°F to 104°F.

\*Up to \$25/unit; labor allowances of up to \$500/unit available for purchase - contact MaxLite representative for details.

### SENSOR DEFAULT SETTINGS:

FACTORY DEFAULTS	
High Mode	10V
Low Mode	1V
Time Delay	5 Min
Cut Off	1 Hr
Sensitivity	Max



# AREA LIGHT

MODEL SELECTION		Typical order example: MP-AR100UT5-50B							
MP	-	AR							
FAMILY	-	SUB-FAMILY	WATTAGE	VOLTAGE	DISTRIBUTION	-	CCT	FINISH	OPTIONS
MP= MPulse	-	AR= Area Light	<b>100</b> = 100W, 250W MH equiv. <b>150</b> = 150W, 320W PSMH equiv. <b>200</b> = 200W, 400W MH equiv. <b>250</b> = 250W, 400W PSMH equiv. <b>300</b> = 300W, 750W PSMH equiv.	<b>U</b> = 120-277V <b>H</b> = 347-480V	<b>T2</b> = Type II <b>T3</b> = Type III <b>T4</b> = Type IV <b>T5</b> = Type V	-	<b>30</b> = 3000K <b>40</b> = 4000K <b>50</b> = 5000K	<b>B</b> = Bronze  Contact MaxLite for additional finishes	<b>(BLANK)</b> = None  <b>MS</b> = Photo/Motion Sensor <b>RPC</b> = NEMA 3-Pin Photocell Receptacle <b>PR7</b> = NEMA 7-Pin Photocell Receptacle

## MOUNTING:

MODEL SELECTION		Typical order example: QMP-PM-B	
FAMILY	-	MOUNTING	FINISH
QMP	-	<b>PM</b> = Pole Mount <b>SK</b> = Slipfitter Knuckle <b>TS</b> = Trunnion Swivel <b>KS</b> = Knuckle Surface (Wall Mount)	<b>B</b> = Bronze <b>S</b> = Silver

## SPECIFICATIONS:

ITEM	SPECIFICATION	100 WATTS - DETAILS	150 WATTS - DETAILS	200 WATTS - DETAILS	250 WATTS - DETAILS	300 WATTS - DETAILS
GENERAL PERFORMANCE	Input Power (W)	100W	150W	200W	250W	300W
	Lumens Delivered @ 4000K (lm)	12,460	20,245	25,630	33,120	38,155
	Lumens Delivered @ 5000K (lm)	12,550	20,380	25,810	33,355	38,425
	Efficacy (lm/W)	>120				
	CRI	>70				
	Calculated Lumen Maintenance (L93, TM-21 @ 25°C)	>100,000 hours				
	Color Temperature	Available in 3000K, 4000K & 5000K				
ELECTRICAL	Input Voltage	120-277V dimming standard; 347-480V options available				
	Max THD %	10%				
	Power Factor	>90%				
PHYSICAL	Housing	Die-cast aluminum				
	Weight	16.5lb	24.2lb	24.2lb	33.0lb	33.0lb
	EPA(sq. ft) 0°/ 90°	0.45/2.25	0.57/3.18	0.57/3.18	0.69/4.13	0.69/4.13
CERTIFICATION	Certification	cULus listed, FCC				
	Environment	Wet location listed, IP66				
	Warranty	10-year standard warranty*				
	Operating Temperature	-40°F - 122°F (-40°C - 50°C)				
	Humidity	10% - 90% RH, non condensing				
QUALIFICATION	DesignLights Consortium	DLC 4.2 Premium				



# AREA LIGHT

## ACCESSORIES:

ITEM ACCESSORY	ITEM NAME	ITEM DESCRIPTION
Photocontrols	PCTL-UNV	TWIST-LOCK ELECTRONIC PHOTOCONTROL 120/208/240/277V
	6394LL	TWIST-LOCK ELECTRONIC PHOTOCONTROL 432-528VAC
	MLRTLPCRSP	SHORTING CAP FOR NEMA TWIST LOCK RECEPTACLE (3, 5 OR 7 PIN)
Remote Control	FSIR-100	REMOTE HANDHELD CONFIGURATION TOOL
Round Pole Adapter	QMP-3RPA-B	3" ROUND POLE ADAPTER FOR QMP-PM SERIES, TO BE USED WITH POLE MOUNT, BRONZE
	QMP-4RPA-B	4" ROUND POLE ADAPTER FOR QMP-PM SERIES, TO BE USED WITH POLE MOUNT, BRONZE
	QMP-5RPA-B	5" ROUND POLE ADAPTER FOR QMP-PM SERIES, TO BE USED WITH POLE MOUNT, BRONZE
House Side Shield Order: 1 for 100W (+0.024 EPA) 2 for 150/200W (+0.048 EPA) 3 for 250/300W (+0.072 EPA)	MP-ARHSS	HOUSE SIDE SHIELD FOR MP-AR SERIES, ONE PER LED MODULE, USE EXISTING HARDWARE

## PHOTOMETRIC PERFORMANCE (4000K):

WATTAGE	T2	T3	T4	T5
	LUMENS			
100W	11,975	11,890	11,520	12,460
150W	19,450	19,315	18,715	20,245
200W	24,400	24,165	23,505	25,630
250W	31,675	31,305	30,570	33,120
300W	36,445	36,185	35,195	38,155

## PHOTOMETRIC PERFORMANCE (5000K):

WATTAGE	T2	T3	T4	T5
	LUMENS			
100W	12,055	11,975	11,600	12,550
150W	19,585	19,450	18,850	20,385
200W	24,570	24,335	23,675	25,810
250W	31,895	31,525	30,785	33,355
300W	36,700	36,440	35,285	38,425

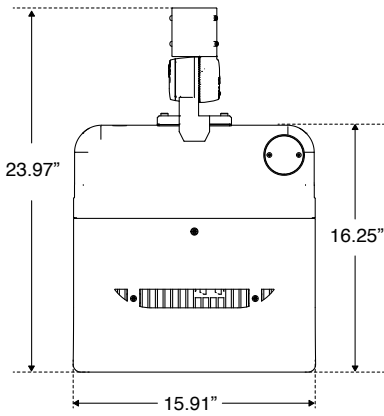
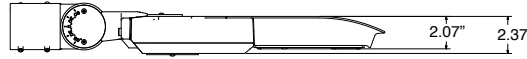
## BACKLIGHT, UPLIGHT, AND GLARE RATINGS:

WATTAGE	T2			T3			T4			T5		
	B	U	G	B	U	G	B	U	G	B	U	G
100W	2	0	2	2	0	2	2	0	2	3	0	0
150W	2	0	2	3	0	2	3	0	2	4	0	1
200W	3	0	3	3	0	3	3	0	2	5	0	1
250W	3	0	3	3	0	3	3	0	3	5	0	1
300W	3	0	3	3	0	3	3	0	3	5	0	1

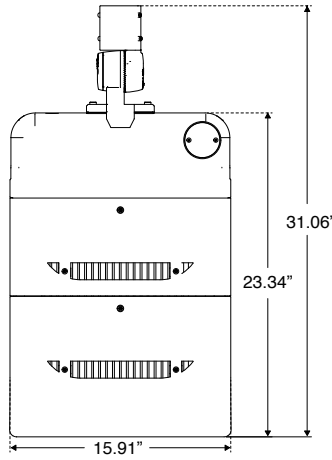


## AREA LIGHT

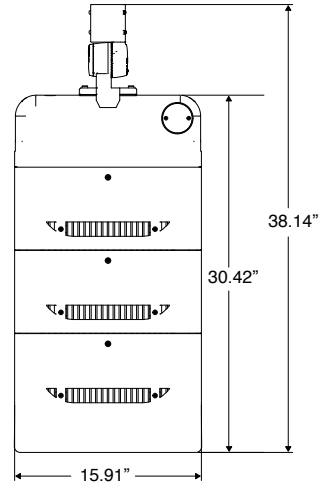
### DIMENSIONS:



**100W**

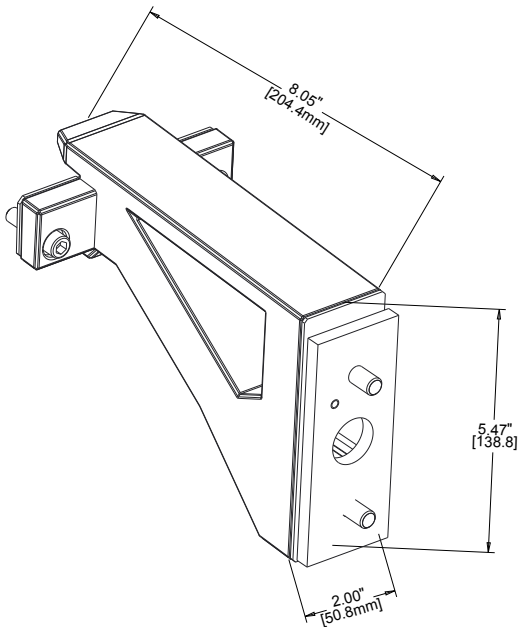


**150W & 200W**

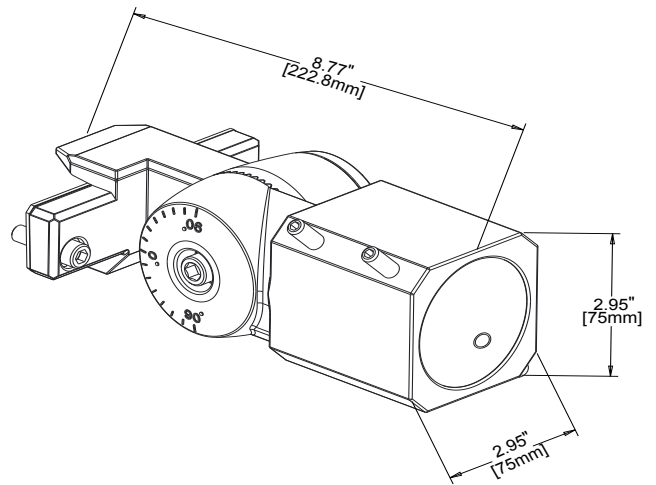


**250W & 300W**

### MOUNTING DIMENSIONS:



**POLE MOUNT  
QMP-PM**

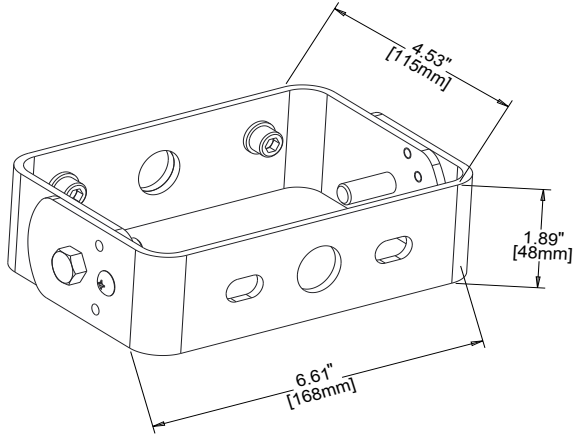


**SLIPFITTER MOUNT  
QMP-SK**

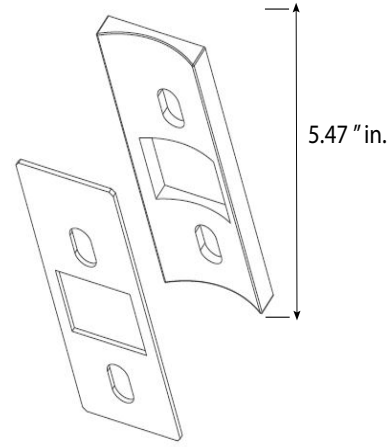


## AREA LIGHT

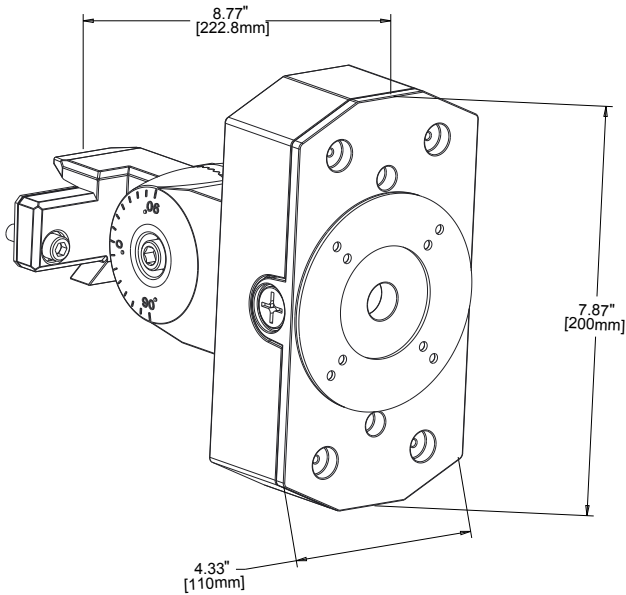
### MOUNTING DIMENSIONS CONT'D:



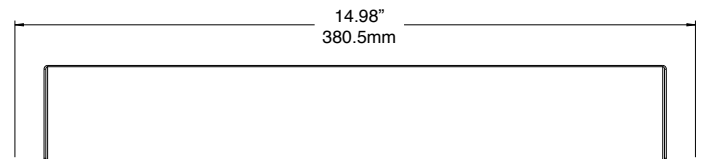
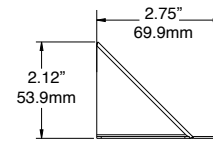
**TRUNNION SWIVEL MOUNT**  
QMP-TS



**ROUND POLE ADAPTER**  
QMP-4RPA



**KNUCKLE SURFACE MOUNT**  
(For wall mount applications)  
QMP-KS



**HOUSE SIDE SHIELD**  
MP-ARHSS

Order:  
 1pc for 100W fixture  
 2pcs for 150/200W fixture  
 3pcs for 250/300W fixture  
 (Use existing fixture hardware for installation)





## AREA LIGHT

### ISOFOOTCANDLE:

Each gridline represents one mounting height.  
For mounting heights other than noted multiply FC by the below factor.

$$\text{Factor} = \frac{(\text{Chart's Mtg Height})^2}{(\text{Actual Mtg Height})^2}$$

### LEGEND

- 0.5 fc
- 1 fc
- 2 fc
- 5 fc

Layouts based on 4000K or 5000K. Results are 3-5% less for 3000K. Consult IES file for more precise calculations.

### TYPE II

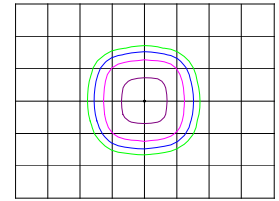
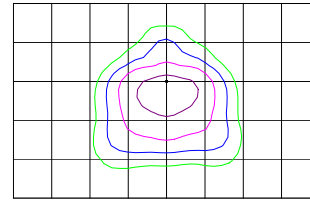
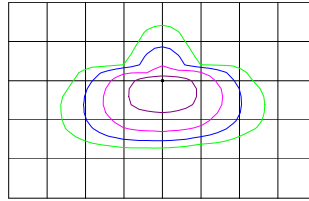
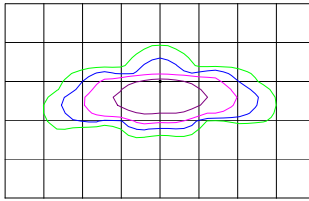
### TYPE III

### TYPE IV

### TYPE V

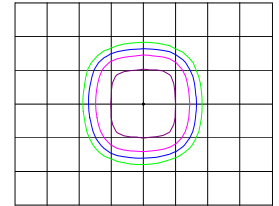
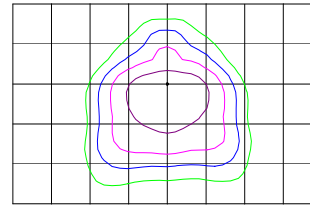
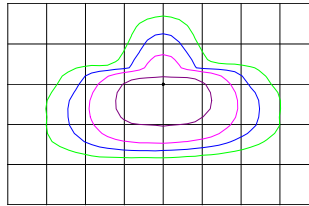
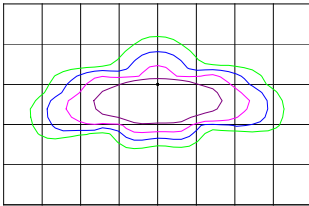
#### 100 WATT

20 ft mounting height



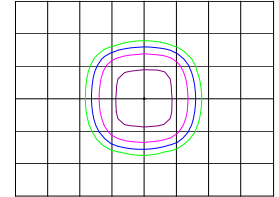
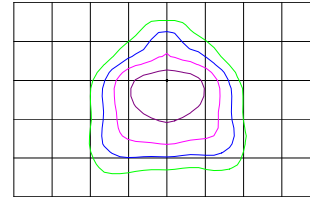
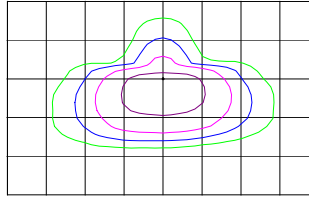
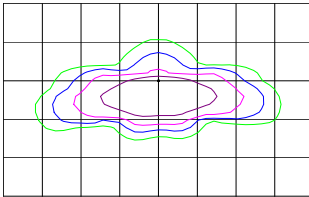
#### 150 WATT

20 ft mounting height



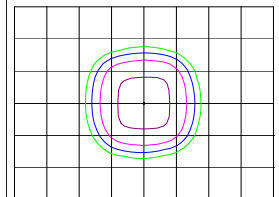
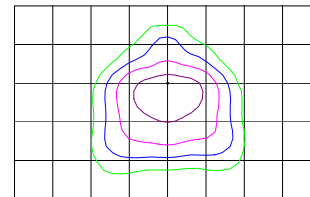
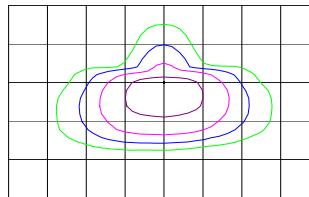
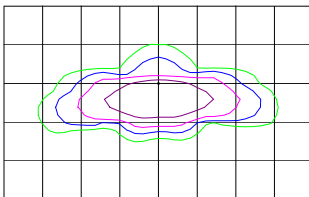
#### 200 WATT

25 ft mounting height



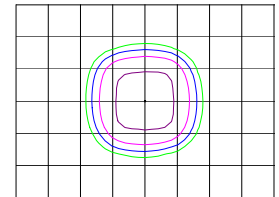
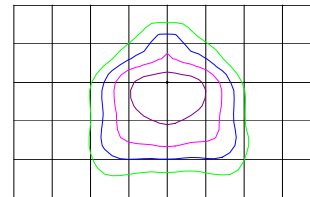
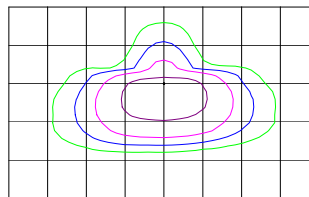
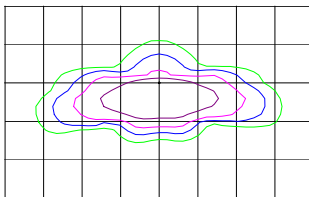
#### 250 WATT

30 ft mounting height



#### 300 WATT

30 ft mounting height



\*Lighting layouts and spacing criteria available upon request.