



FLOOD LIGHT

A stunning blend of performance, value and aesthetics, the **MPulse Flood Light** is available in a wide range of lumen packages to address a variety of outdoor lighting needs. The Flood Light can be combined with a full, architectural-grade LED family to create a total site solution for commercial, municipal, retail, education, and hospitality applications. Optional visual comfort optics distribute light through a non-pixelated light source that creates uniform, eye-pleasing illumination with minimal glare. The high-performance, IP66-rated luminaire delivers a minimum of 120 lumens per watt, providing significant energy savings while remaining durable in the field.



28/55W
(TRUNNION WITH 1/2"
THREADED NIPPLE)



28/55W
(VISUAL COMFORT)



100/130W
(TRUNNION AND
SILVER FINISH)



100/130W
(SLIPFITTER KNUCKLE)



KNUCKLE SURFACE MOUNT
(WALL MOUNT APPLICATIONS)

PERFORMANCE:

- Available in 4 wattages (28/55/100/130) and 3,300lm-16,000lm
- Calculated lumen maintenance value L70 at 130,000 hours at 25°C
- 120-277V dimming standard. 347-480V options available
- 10KV surge suppression standard

OPTICS:

- Choice of 5 optics - narrow, medium, wide, rectangular and visual comfort (28/55W only). See Photometric Performance tables for more details.

OPTIONS:

- 120V-277V Button Photocontrol (28W/55W only)
- NEMA 3-pin and 7-pin photocontrol twistlock receptacle (100-130W only)
- Programmable PIR photo/motion sensor (requires FSIR-100 remote control to program)

FINISHES:

- Satin bronze finish standard
- Additional colors available for custom orders

CONSTRUCTION:

- Die Cast Aluminum housing
- Tempered Glass Lens

MOUNTING:

- Trunnion swivel (28/55W include 1/2" threaded nipple), 2-3/8" slipfitter knuckle, and knuckle surface mount available (wall applications)
- Approved for face up applications

ENVIRONMENT:

- Listed for use in wet locations to UL standards and IP66 rated
- 2G Rated

PHOTOMETRICS:

- Please see page 5 for Iso-footcandle layouts
- All IES files are available online.

WARRANTY:

10-year standard warranty with labor allowance* (further details available at www.maxlite.com/warranties)

*Warranty Limitations: Product must be rated for the application per the Product Data Sheet (PDS); operated ≤16 hrs/day; in ambient of -29°F to 104°F.

*Up to \$25/unit; labor allowances of up to \$500/unit available for purchase - contact MaxLite representative for details.

CONTROLS:

Photo/Motion Sensor: External programmable passive infrared (PIR) photometric sensor. Factory settings can be adjusted via the FSIR-100, a wireless configuration tool. **Note that the sensor comes with photocell setting disabled and the FSIR-100 must be purchased if photocell functionality is desired.**

RPC, PR7 Options: NEMA Standard C136.41 3-pin and 7-pin twist lock photocontrol receptacles offer either on/off or programmable dimming control when used with 3rd party distributed controls. Twist lock photocontrols or intelligent control modules sold separately.

MaxLite Makes It!

Don't see what you need? Additional wattages and specifications available upon request - contact your MaxLite rep!



FLOOD LIGHT

MODEL SELECTION		Typical order example: MP-FL28UW-50BTS									
MP	FL	WATTAGE	VOLTAGE	BEAM SPREAD	VISUAL	CCT	FINISH	MOUNTING	OPTIONS		
MP= MPulse	FL= Flood Light	28= 28W, 100W PSMH equiv. 55= 55W, 150W PSMH equiv. 100= 100W, 250W PSMH equiv. 130= 130W, 400W PSMH equiv.	U= 120-277V H= 347-480V	N= Narrow 35° (4x4) M= Medium 55° (5x5) W= Wide 85° (6x6) R= Rectangular 100°x35° (7x4)	(Omit)= No VC *VC8= VC 80 CRI *Available in 28/55W only	30= 3000K 40= 4000K 50= 5000K	B= Bronze Contact MaxLite for additional finishes.	TS= Trunion Swivel (28/55W include 1/2" threaded nipple) SK= Knuckle Slipfitter KS= Knuckle Surface Mount	(BLANK)= None MS= Photo/Motion Sensor NEMA 3-Pin Photocell RPC= Receptacle (100/130W only; (Photocell sold separately) PR7= NEMA 7-Pin Photocell Receptacle (100/130W only; (Control module sold separately) PC= 120-277V Button (Photocell 28W/55W only)		

SPECIFICATIONS:

ITEM	SPECIFICATION	28 WATTS	55 WATTS	100 WATTS	130 WATTS
GENERAL PERFORMANCE	Input Power (W)	28W	55W	100W	130W
	Lumens Delivered @ 4000K (lm)	3,100	6,600	12,000	15,000
	Lumens Delivered @ 5000K (lm)	3,300	7,000	13,000	16,000
	Efficacy (lm/W)	110-125			
	CRI	>70 (VC=80)			
	Calculated Lumen Maintenance (L70, TM-21 @ 25°C)	>100,000 hours			
ELECTRICAL	Input Voltage	120-277V dimming standard; 347-480V dimming options available			
	Max THD %	10%			
	Power Factor	>90%			
PHYSICAL	Housing	Die-cast aluminum			
	Weight	15lb	15lb	20lb	20lb
	EPA	1.33	1.33	1.62	1.62
CERTIFICATION	Certification	cULus listed, 2G Rated			
	Environment	Wet location listed, IP66, FCC			
	Warranty	10 year standard warranty			
	Operating Temperature	-40°F - 122°F (-40°C - 50°C)			
	Humidity	10% - 90% RH, non condensing			
QUALIFICATION	DesignLights Consortium	DLC Premium, DLC Standard. Not all product variations listed on this page are DLC qualified. Visit www.designlights.org/search to confirm qualification.			

Lighting layouts available upon request.

PHOTOMETRIC PERFORMANCE (4000K):

WATTAGE	NARROW	MEDIUM	WIDE	RECTANGULAR	VC
	LUMENS/BEAM/FIELD/MAX CANDELA				
28W	3,400/33.5°/62°/7,884	3,400/54.5°/79°/3,999	3,200/85°/120°/1,624	3,400/99°x34°/3,637	2,500/110°/155°/922
55W	6,990/33.5°/62°/16,054	6,900/55°/83.5°/7,954	6,700/87°/124°/3,276	6,800/99°x37°/6,834	4,880/111°/155°/1,679
100W	13,470/33.5°/62°/30,938	13,360/55°/82°/15,121	12,845/87°/127°/6,174	13,050/98°x35°/13,254	N/A
130W	15,985/33.5°/62°/36,718	15,770/53.5°/84°/18,126	15,230/86°/126°/7,375	15,476/97°x35°/15,795	N/A

PHOTOMETRIC PERFORMANCE (5000K):

WATTAGE	NARROW	MEDIUM	WIDE	RECTANGULAR	VC
	LUMENS/BEAM/FIELD/MAX CANDELA				
28W	3,400/33.5°/62°/7,805	3,375/55°/80°/3,959	3170/84°/120°/1,608	3,370/99°x34°/3,600	2,480/116°/155°/916
55W	6,900/33.5°/62°/15,900	6,900/55°/83.5°/7,875	6,650/87°/124°/3,243	6,730/99°x37°/6,766	4,670/116°/155°/1,719
100W	13,300/33.5°/62°/30,630	13,200/55°/83°/14,971	12,700/87°/127°/6,113	12,900/98°x35°/13,122	N/A
130W	15,820/33.5°/62°/36,346	15,600/56.5°/84°/17,016	15,070/85°/125°/7,679	15,200/99°x36.5°/14,709	N/A





FLOOD LIGHT

ACCESSORIES:

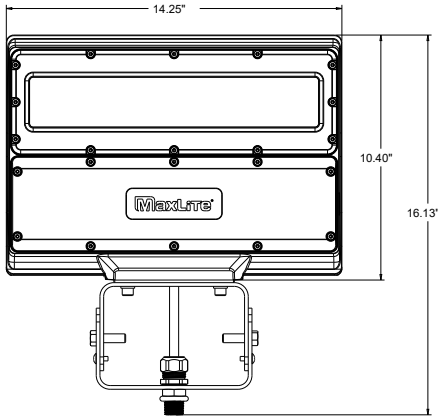
ITEM ACCESSORY	ITEM NAME	ITEM DESCRIPTION	PRODUCT IMAGE
Photocontrols	PCTL-UNV	Twist-Lock Electronic Photocontrol 120/208/240/277V	
	6394LL	Twist-Lock Electronic Photocontrol 432-528VAC	
96268	MLRTLPCRSP	Shorting Cap for NEMA Twist Lock Photocell Receptacle (3, 5 OR 7 PIN) Only for 100W & 130W models.	
Remote Control	FSIR-100	Remote Handheld Configuration Tool	
Ground Stake Mount	GROUNDSTAKE	21" Black PVC Ground Stake with bronze die cast cap, ground stabilizers bars and hardware to mount junction box, which allows adding an external photocell. Only for 28W & 55W models.	
Junction Box Cover	JBOXB-4TH	Junction Box With 4 1/2" Conduit Holes Top Cover. Provides mounting for flat surfaces and adding external PC (PC-120277EXT) Only for 28W & 55W models.	
Photocontrol	PC-120277EXT	External Photocontrol 120-277V, Black Finish.	
Visors/ Louvers	MP-FL28/55-TBV-B	Top or Bottom Visor 28/55W (order 2 for full visor)	
	MP-FL100/130-TBV-B	Top or Bottom 100/130W (order 2 for full visor)	
	MP-FL28/55-SDV-B	Side Visor 28/55W	
	MP-FL100/130-SDV-B	Side Visor 100/130W	
	MP-FL28-HCL-B	Honeycomb Louver 28W	
	MP-FL55-HCL-B	Honeycomb Louver 55W	
	MP-FL100/130-HCL-B	Honeycomb Louver 100/130W	
Vandal Shields	MP-FL28/55 -VS-B	Vandal Shield 28/55W	
	MP-FL100/130-VS-B	Vandal Shield 100/130W	



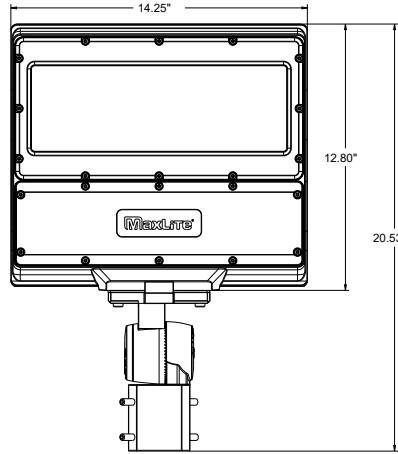
FLOOD LIGHT

PRODUCT DIMENSIONS:

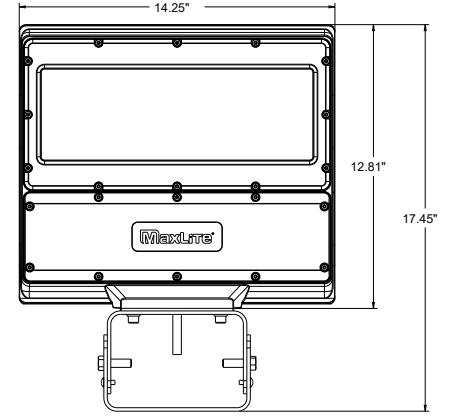
28/55W



100/130W

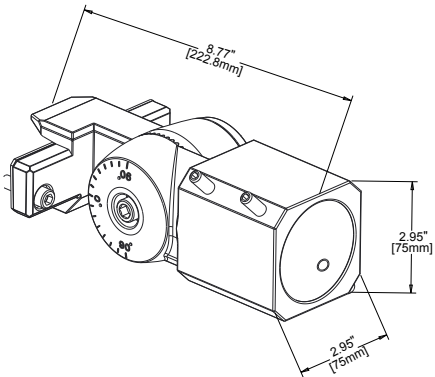


100/130W

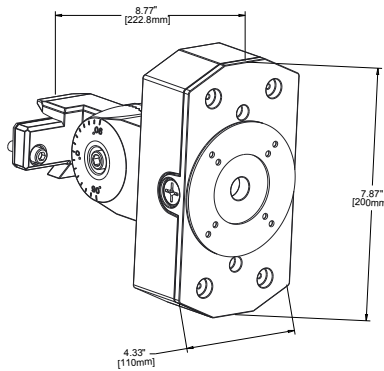


MOUNTING DIMENSIONS:

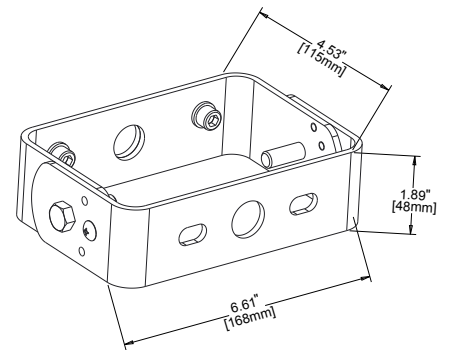
SLIPFITTER KNUCKLE MOUNT
QMP-SK



KNUCKLE SURFACE MOUNT
QMP-KS



TRUNNION SWIVEL MOUNT
QMP-TS





FLOOD LIGHT

ISOFOOTCANDLE:

Each gridline represents one mounting height.

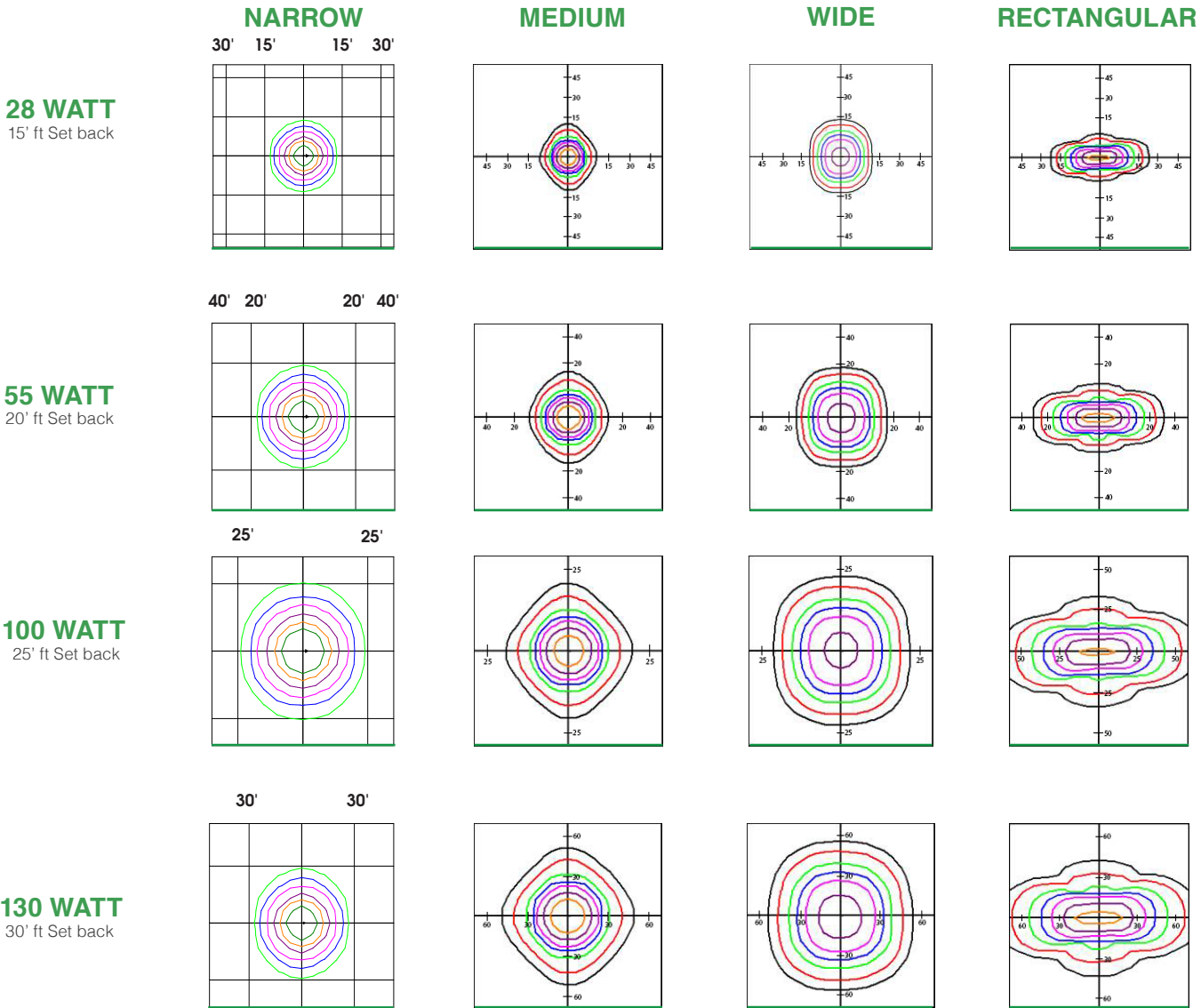
For mounting heights other than noted multiply FC by the below factor.

$$\text{Factor} = \frac{(\text{Chart's Mtg Height})^2}{(\text{Actual Mtg Height})^2}$$

LEGEND

- 0.5 fc
- 1 fc
- 2 fc
- 5 fc
- 10 fc

Layouts based on 4000K or 5000K. Results are 3-5% less for 3000K. Consult IES file for more precise calculations.



*Lighting layouts available upon request.