

MR-16 PREMIUM

DESCRIPTION:

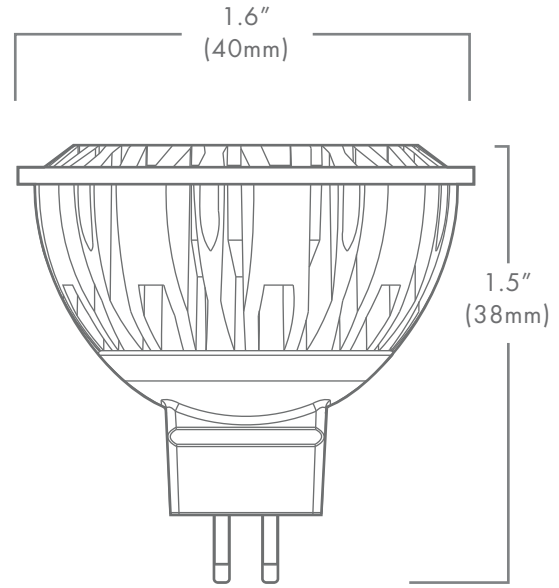
The Brilliance LED MR-16 LED lamp has been redesigned to better fit into standard, low voltage, MR-16 fixtures. These LED's are thermally engineered to operate in enclosed fixtures and provides added security by automatically cooling down (and reducing lumens output) only when exposed to extreme heat (air temperatures above 125°F). In addition, there is no color shift when lumens output is reduced, and the overall lamp life is improved.

FEATURES:

- Updated Gen 5 Earth Tone colored housing
- Dimmable with most magnetic transformers
- Enhanced ESD (Electro-Static Discharge) Protection (IEC-61000-4-2)
- Heat Overload Protection Technology
- Fully potted PC board
- UL & FCC compliant

LUMEN OUTPUT

	2200K	2700K	3000K	5700K
4W	275	325	350	400
5W	300	380	400	450
7W	600	690	715	750



PART NUMBER: MR16 X XXXX XX

2200	4 5 7	WATTAGE	XXXX	XX
2700				
3000				
5700				
RED	15 30 60 120	KELVIN/COLOR	BEAMSPREAD	
GREEN				
BLUE				
AMBER				
SLVR GRN				

Wattage	4, 5, 7
Beam Spread	15°, 30°, 60°, 120°
Color	red, green, blue, amber, silver green
Operating Range	8-25 VAC
Replaces	20/35/50W Halogen
CRI	85
IP	61
Chipset	CREE
Lamp Life (hours)	50,000
Warranty (years)	5

