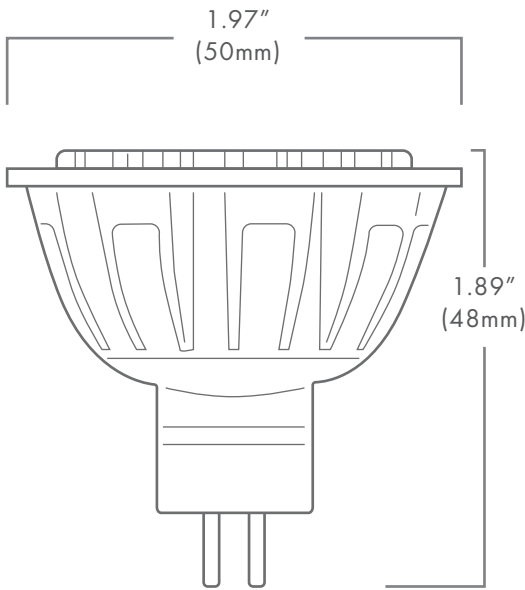


MR-16 PREMIUM



PART NUMBER: MR16 X XXXX XX

2200	4 5 7	WATTAGE	KELVIN/COLOR
2700			
3000			
5700			
RED	15 30 60 120	BEAMSPREAD	
GREEN			
BLUE			
AMBER			



DESCRIPTION:

The Brilliance LED MR-16 LED lamp has been redesigned to better fit into standard, low voltage, MR-16 fixtures. These LED's are thermally engineered to operate in enclosed fixtures and provides added security by automatically cooling down (and reducing lumens output) only when exposed to extreme heat (air temperatures above 125°F). In addition, there is no color shift when lumens output is reduced, and the overall lamp life is improved.

FEATURES:

- Dimmable with most magnetic transformers
- Enhanced ESD (Electro-Static Discharge) Protection (IEC-61000-4-2)
- Heat Overload Protection Technology
- Fully potted PC board
- UL & FCC compliant

LUMEN OUTPUT

	2200K	2700K	3000K	5700K
4W	260	265	271	320
5W	320	324	415	420
7W	N/A	470	485	560

Beam Spread	15°, 30°, 60°, 120°
Color	red, green, blue, amber (4&5w only)
Operating Range	8-25 VAC
Replaces	20/35/50W Halogen
CRI	85
IP	61
Chipset	CREE
Lamp Life (hours)	50,000
Warranty (years)	5