

PROJECT NAME: \_\_\_\_\_ CAT. #: \_\_\_\_\_  
 NOTES: \_\_\_\_\_ FIXTURE SCHEDULE: \_\_\_\_\_

# Slim Flood Adjustable Beam Angles 20-80W Higher wattage versions on separate sheet



**MSF20**



**MSF35**



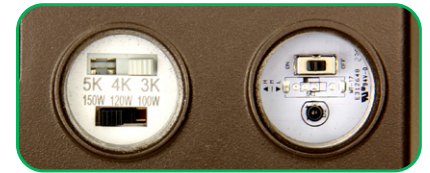
**MSF60**



**MSF80**



Adjustable Beam Angle



Wattage/CCT & PC Switches

### Product Description:

The MaxLite Slim Flood Light family delivers high performance in a small and price-effective package. All versions are available for a variety of mounting applications - 1/2" threaded knuckle, yoke and slipfitter. All models are CCT and Wattage selectable and include an integral photocell. Best of all, the beam angles are adjustable between Narrow, Medium and Wide allowing the customer to customize for their application.

### Construction:

- Die cast aluminum housing with corrosion resistant powder coat paint
- Tempered glass lens

### Controls:

- Includes photocell with on/off switch
- 4' staged 0-10V dimming leads

### Installation:

- All models have adjustable beam angles between Narrow, Medium and Wide
- Includes both 1/2" threaded knuckle and yoke mount. Use TR2.37BZ for slipfitter applications
- 4' SO cord

### Listings:

- UL listed for Wet Locations, Outdoor

## Ordering Information

FAMILY	WATTAGE	VOLTAGE	BEAM	-	CCT	FINISH	MOUNTING	CONTROLS	SOURCE
<b>MSF=</b> Slim Flood	<b>20=</b> 20W (Selectable 10/15/20W) <b>35=</b> 35W (Selectable 10/25/35W) <b>45=</b> 45W (Dedicated Wattage) <b>60=</b> 60W (Selectable 45/50/60W) <b>80=</b> 80W (Selectable 55/70/80W)	<b>U=</b> 120-277V	<b>A=</b> Adjustable between Narrow/ Medium/ Wide	-	<b>CS=</b> CCT Selectable (3/4/5K), dedicated 45W only <b>WCS=</b> CCT (3/4/5K) /Wattage Selectable	<b>B=</b> Bronze  <i>Contact MaxLite for additional finishes</i>	<b>KTY=</b> Knuckle 1/2" Threaded & Yoke both included in carton, (use TR2.37BZ for Slipfitter applications)	<b>PC=</b> 120-277V Photocell	<b>BLANK=</b> None <b>TA=</b> TAA Compliant (Available in 20W, 35W, 60W and 80W)



# Slim Flood Adjustable Beam Angles 20-80W Higher wattage versions on separate sheet

## Stocked Items

ORDER CODE	MODEL NUMBER	DLC PRODUCT ID#	DLC CATEGORY	WATTAGE	CCT
111747	MSF20UA-WCSBKTYPC	S-RLZY60	Outdoor Luminaires - Architectural Flood and Spot Luminaires	20.5W	3/4/5K
111757	MSF35UA-WCSBKTYPC	S-H2C5GY		35W	
111758	MSF45UA-CSBKTYPC	S-4WFSWJ		46.9W	
111752	MSF60UA-WCSBKTYPC	S-3F25W3		62.5W	
111755	MSF80UA-WCSBKTYPC	S-JLZYLS		78.8W	

## Wattage Selectable Lumen Chart

MSF20	10W= 1,270 - 1,630	15W= 1,910 - 2,440	20W= 2,610 - 2,890
MSF35	15W= 1,910 - 2,440	25W= 3,240 - 4,010	35W= 4,540 - 5,250
MSF60	45W= 6,220 - 7,300	50W= 6,200 - 7,800	60W= 7,770 - 8,970
MSF80	55W= 7,530 - 9,010	70W= 9,590 - 11,470	80W= 11,710 - 12,460

## Accessories

ORDER CODE	MODEL NUMBER	DESCRIPTION	IMAGE
111817	MSF-20WVISOR	HALF VISOR FOR MSF20	
111818	MSF-35WVISOR	HALF VISOR FOR MSF35	
111819	MSF-60WVISOR	HALF VISOR FOR MSF45 and MSF60	
111820	MSF-80WVISOR	HALF VISOR FOR MSF80	
101679	TR2.37BZ	TENON REDUCER CONVERTS 1/2" KNUCKLE THREADED MOUNT (KT) TO 2 3/8" SLIPFITTER KNUCKLE (SK) MOUNT, BRONZE	
104352	GROUNDSTAKE	21" BLACK PVC GROUND STAKE WITH BRONZE DIE CAST CAP, GROUND STABILIZERS BARS AND HARDWARE TO MOUNT TO MOUNT JUNCTION BOX, WHICH ALLOWS ADDING AN EXTERNAL PHOTOCELL	
104350	JBOXB-4TH	JUNCTION BOX WITH 4 1/2" CONDUIT HOLES TOP COVER. PROVIDES MOUNTING FOR FLAT SURFACES AND ADDING EXTERNAL PC (PC-120277EXT)	
105551	MTGCOVER	DIE CAST ALUMINUM MOUNTING COVER WITH 3X1/2" THREADED CONDUIT HOLES, BRONZE	

# Slim Flood Adjustable Beam Angles 20-80W

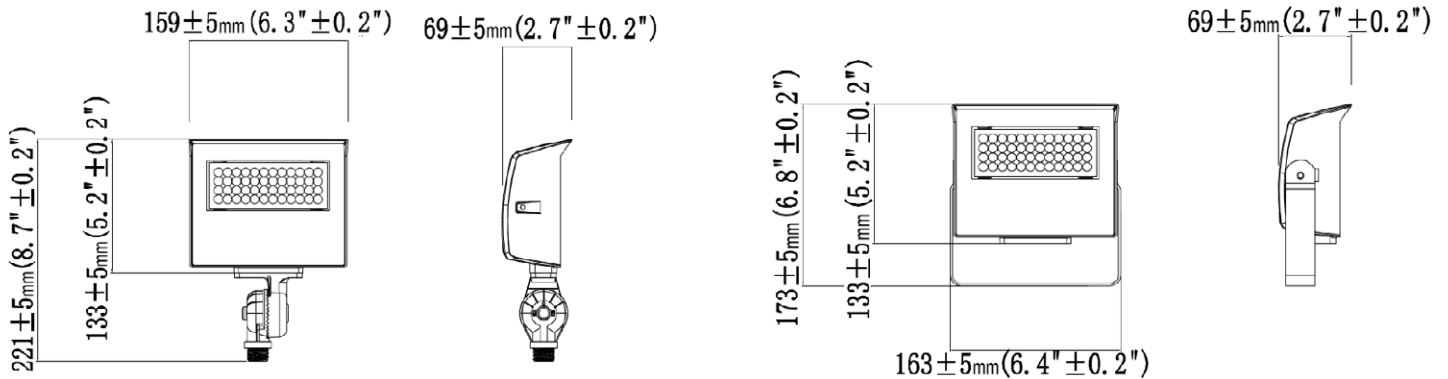
Higher wattage versions on separate sheet

Specifications	10/15/20W	15/25/35W	45W	45/50/60W	55/70/80W
<b>Power Consumption (W)</b>	Selectable 10/15/20W	Selectable 15/25/35W	45W	Selectable 45/50/60W	Selectable 55/70/80W
<b>Lumens (lm) Highest Wattage*</b>	2,610 - 2,890	4,540 - 5,250	6,220 - 7,300	7,770 - 8,970	11,710 - 12,460
<b>Efficacy (lm/w)</b>	127 - 143	130 - 161	133 - 163	124 - 156	137 - 155
<b>CRI</b>	80				
<b>Color Temperature (K)</b>	Selectable between 3/4/5K				
<b>Beam Angle</b>	Adjustable between Narrow, Medium and Wide (55°, 75° and 90°)				
<b>Voltage</b>	120-277V				
<b>Surge Protection</b>	2.5kV		6kV		
<b>Lumen Maintenance (L70) hrs</b>	100K +				
<b>Controls</b>	0-10V dimming leads staged and integral photocell with on/off switch				
<b>Housing</b>	Die cast aluminum housing with corrosion resistant polyester powder coat				
<b>Lens</b>	Tempered Glass				
<b>Mounting</b>	1/2" threaded knuckle, yoke and 4' SO cord included (order TR2.37BZ for slipfitter applications)				
<b>EPA (H=Horizontal, V=Vertical)</b>	0.13H, 0.3V ft <sup>2</sup>	0.15H, 0.34V ft <sup>2</sup>	0.22H, 0.5V ft <sup>2</sup>		0.34H, 0.65V ft <sup>2</sup>
<b>Operating Temperature</b>	-40°F to 122°F (-40°C to 50°C)				
<b>Weight</b>	2.25lbs (0.96kg)	2.75lbs (1.2kg)	3.75lbs (1.7kg)		5.1lbs (2.3kg)
<b>Listings</b>	UL, FCC, ANSI 3G Vibration, IP65				
<b>DLC</b>	5.1 Premium				
<b>Warranty</b>	5 Year warranty. Check <a href="http://maxlite.com/warranties">maxlite.com/warranties</a> for details.				

\* See Wattage Selectable Lumen Chart for additional lumen settings

## Product Dimensions

### MSF20/15/10W

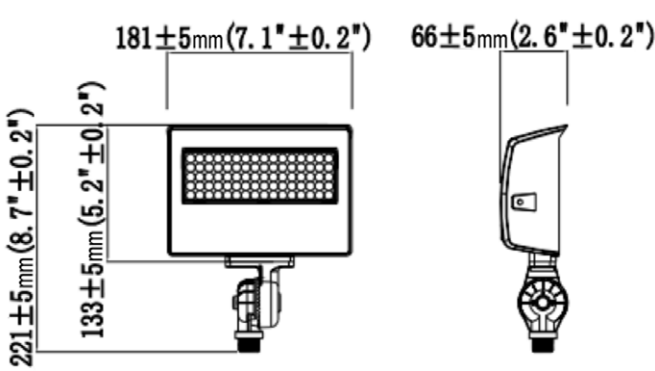


Threaded Knuckle

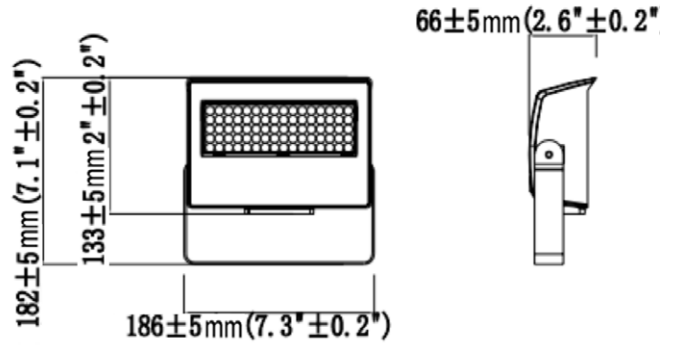
Yoke

## Slim Flood Adjustable Beam Angles 20-80W Higher wattage versions on separate sheet

### MSF35/25/15W

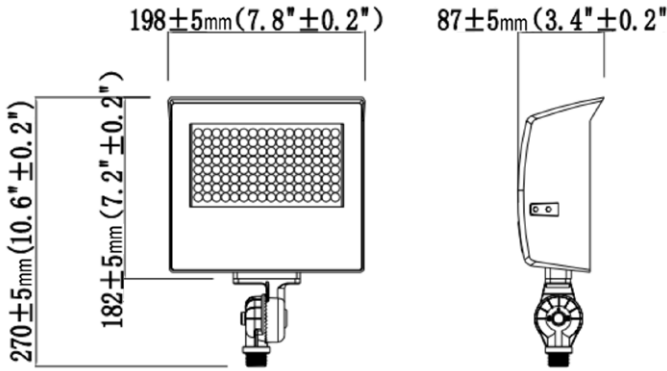


Threaded Knuckle

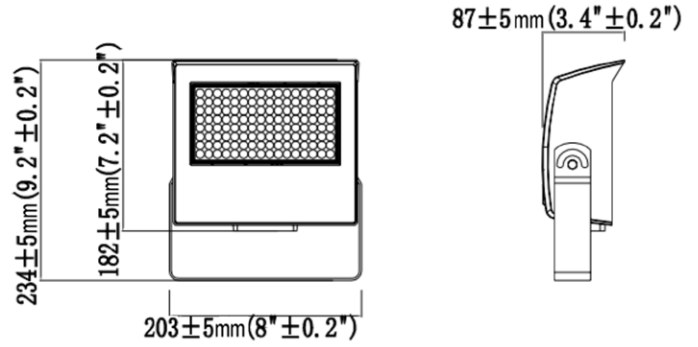


Yoke

### MSF60/50/45W

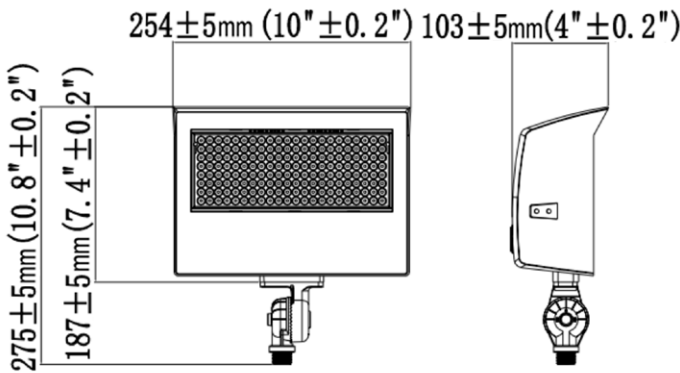


Threaded Knuckle

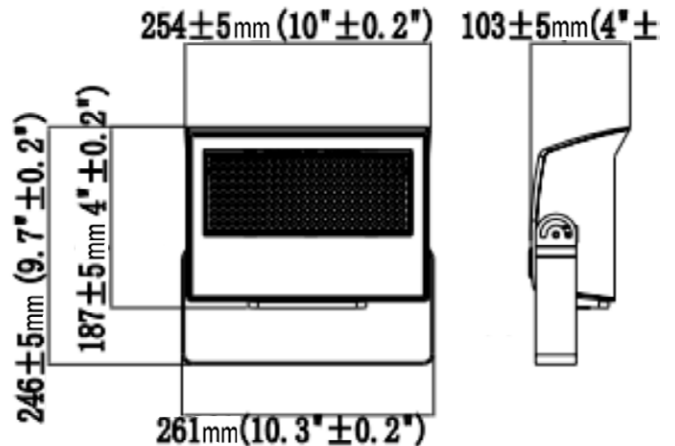


Yoke

### MSF80/70/55W



Threaded Knuckle



Yoke

# Slim Flood Adjustable Beam Angles 20-80W

Higher wattage versions on separate sheet

## Dimensions

### ISOFOOTCANDLE:

Each gridline represents one mounting height.  
For mounting heights other than noted multiply FC by the below factor.

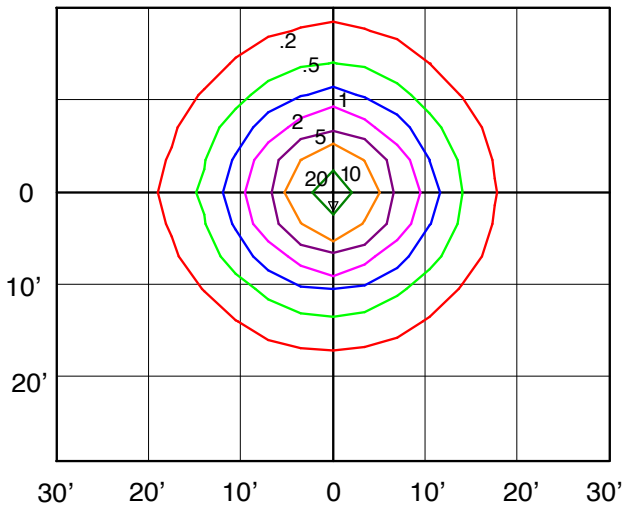
#### LEGEND

- 0.5 fc
- 1 fc
- 2 fc
- 5 fc

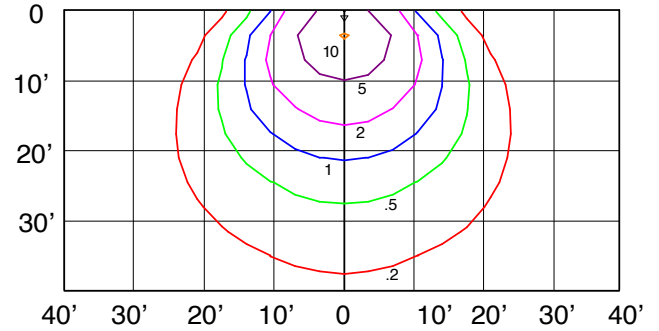
$$\text{Factor} = \frac{(\text{Chart's Mtg Height})^2}{(\text{Actual Mtg Height})^2}$$

Layouts based on 3000K. Results are 3-5% more for 4000/5000K. Consult IES file for more precise calculations.

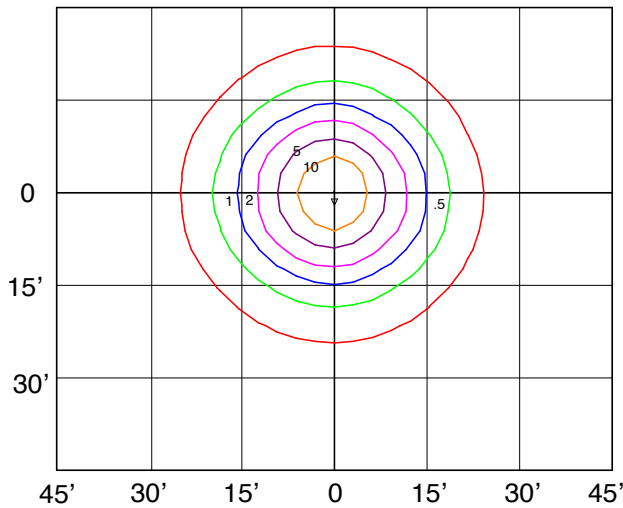
MSF20W Narrow 10' setback



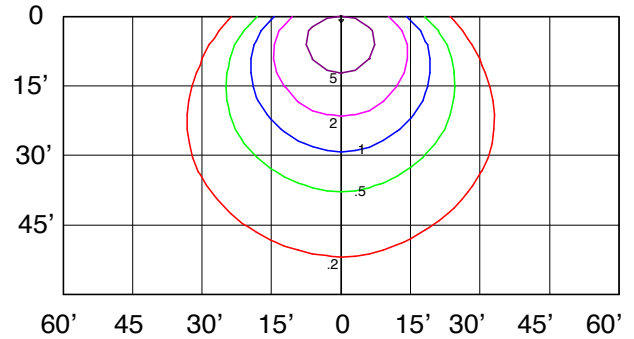
MSF20 Wide 10' setback 45 tilt



MSF35 Narrow 15' setback

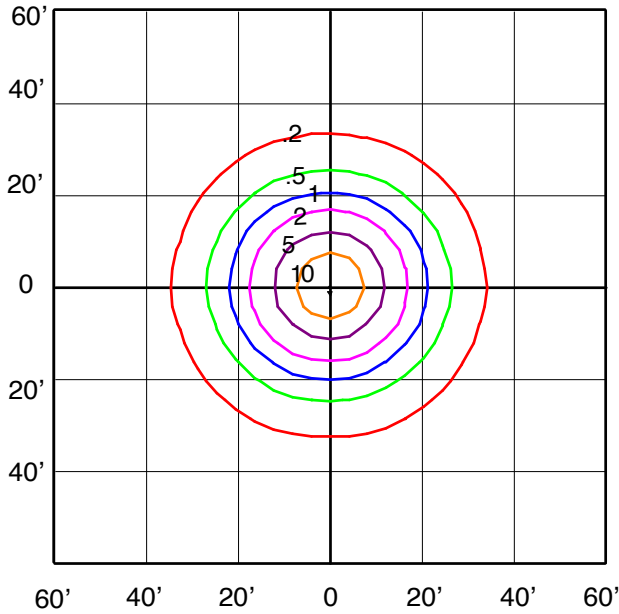


MSF35 Wide 15' setback 45 tilt

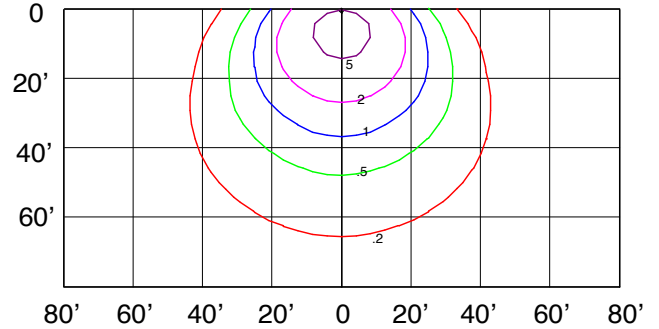


## Slim Flood Adjustable Beam Angles 20-80W Higher wattage versions on separate sheet

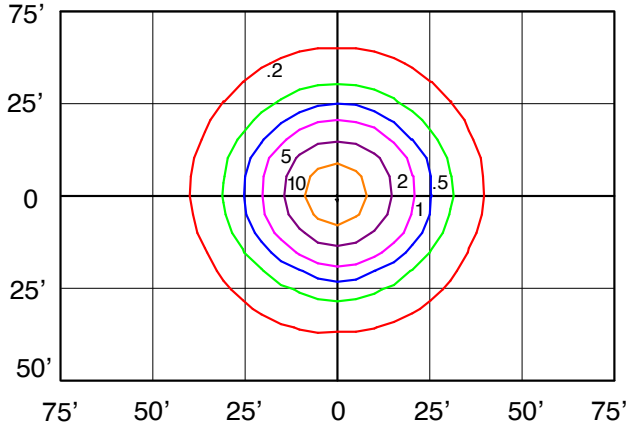
MSF60 Narrow 20' setback



MSF60 Wide 20' setback 45 tilt



MSF80 Narrow 25' setback



MSF80 Wide 25' setback 45 tilt

