

MSR Gold™ MiniFastFit (Touring/Stage)

MSR Gold™ 400 MiniFastFit 1CT



Thanks to the specially designed lamp base, the MSR Gold™ MiniFastFit takes just seconds to replace, to help ensure non-stop clubbing entertainment. In addition, the innovative gold plated pins ensure excellent current transfer to prolong lamp and lamp holder lifetimes and thereby reduce lamp replacement costs. Easy handling and small compact fixture designs are allowed by the lamps compact size, while the very short arc provides a high perceived brightness and high beam intensity.

Product data

• General Characteristics

System Description	MiniFastFit
Cap-Base	PGJX28
Cap-Base Information	PGJX28
Execution	-
Operating Position	any
Main Application	Entertainment
Life to 50% failures	750 hr
EM	

• Light Technical Characteristics

Color Code	-
Color Rendering Index	60 Ra8
Color Temperature	6700 K
Color Temperature Technical	6700 K
Chromaticity Coordinate X	310 -
Chromaticity Coordinate Y	320 -
Luminous Flux Lamp EM	24000 (min), 26000 (nom) Lm
Luminous Efficacy Lamp EM	65 Lm/W

• Electrical Characteristics

Watts	400 W
Lamp Wattage Technical	400 W

Lamp Current	7.2 A
Ignition Supply Voltage	198 (min) V
Dimmable	Yes

• Luminaire Design Requirements

Pinch Temperature	500 (max) C
Bulb Temperature	950 (max) C

• Product Dimensions

Overall Length C	111 (max) mm
Diameter D	23.2 (max) mm
Width F	35.3 (min), 36 (nom), 36.5 (max) mm
Light Center Length L	55 (min), 56 (nom), 57 (max) mm
Arc Length O	3.0 mm

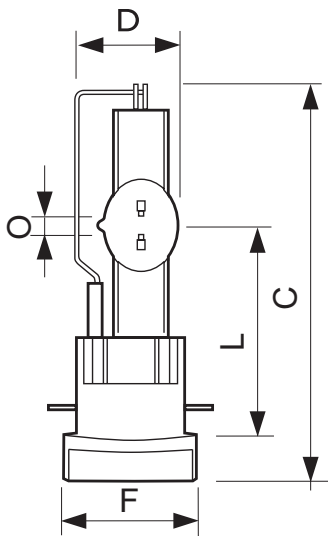
• Product Data

Product number	248963
Full product name	MSR Gold™ 400 MiniFastFit 1CT
Short product name	MSR Gold 400 MiniFastFit 1CT/16
Pieces per Sku	1
eop_pck_cfg	16
Skus/Case	16
Bar code on pack	8718291158288
Bar code on case	8718291158295
Logistics code(s)	928194005114
eop_net_weight_pp	0.053 kg

PHILIPS

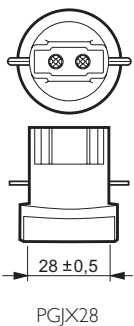
MSR Gold™ MiniFastFit (Touring/Stage)

Dimensional drawing



MSR Gold™ 400 MiniFastFit 1CT

Product	A (Min)	A (Norm)	A (Max)	C (Max)	D (Max)	D1 (Norm)	F (Min)	F (Norm)	F (Max)	L (Min)	L (Norm)	L (Max)	O (Norm)
MSR GOLD 400 MiniFastFit	-	-	-	111	232	-	35.3	36	36.5	55	56	57	3.0



© 2014 Koninklijke Philips N.V. (Royal Philips)
All rights reserved.

Specifications are subject to change without notice. Trademarks are the property of Koninklijke Philips N.V. (Royal Philips) or their respective owners.

www.philips.com/lighting

2014, October 31
data subject to change