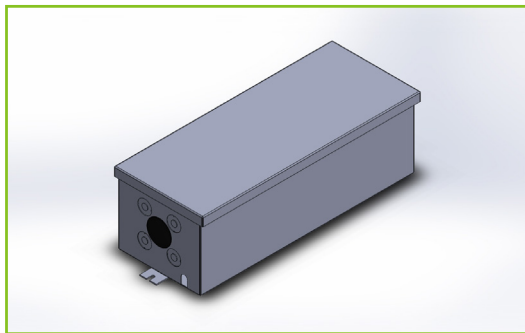




**L.T.F.**

# Low Voltage Magnetic Transformer

**MTA600W & MTE600W Series**



|                     |                      |
|---------------------|----------------------|
| <b>Efficiency</b>   | 80%                  |
| <b>Power Factor</b> | >0.98                |
| <b>Case TC</b>      | 90° Max              |
| <b>Protection</b>   | Input / Output       |
| <b>Storage</b>      | -30°C / +90°C        |
| <b>Humidity</b>     | 95% RH Max.          |
| <b>IP Rating</b>    | IP67                 |
| <b>Dimming</b>      | Magnetic Low Voltage |



**RoHS**



## FEATURES

- No load technology, works with halogen & AC LED loads
- Multi-Tap Output 12V-15V AC, 24V-30V AC
- High Quality Toroidal Transformer Core
- Dimmable with magnetic low voltage dimmers
- Isolated output power per NEC, UL safety requirements
- Outdoor (-REO) models feature stainless steel case
- Industry-leading 25 year limited OEM warranty

## ELECTRICAL SPECIFICATIONS

| Model #          | Wattage | Input                     | Output Current | Multi-Tap Output Voltage | Load                          | Case Type                         |
|------------------|---------|---------------------------|----------------|--------------------------|-------------------------------|-----------------------------------|
| MTA600WA1215VREO | 600W    | 120V AC, 5A<br>50/60Hz    | 50A            | 12V - 15V AC             | 12V - 15V AC<br>LED & Halogen | Outdoor (-REO)<br>Stainless Steel |
| MTA600WA2430VREO |         |                           | 25A            | 24V - 30V AC             | 24V - 30V AC<br>LED & Halogen |                                   |
| MTE600WA1215VREO |         | 277V AC, 2.16A<br>50/60Hz | 50A            | 12V - 15V AC             | 12V - 15V AC<br>LED & Halogen |                                   |
| MTE600WA2430VREO |         |                           | 25A            | 24V - 30V AC             | 24V - 30V AC<br>LED & Halogen |                                   |



**L.T.F.**

**Low Voltage Magnetic Transformer**

**MTA600W & MTE600W Series**



**MECHANICAL SPECIFICATIONS**

| Form Factor         | Dimensions                       |
|---------------------|----------------------------------|
| MTA6 (Outdoor -REO) | 450.85 (430.21) x 178 x 142.71mm |

NOTE: Unit must be mounted at least 1 foot above ground level with knockout holes facing downward.

**MTA6 (OUTDOOR -REO)**

