

MR16-MXARTR

3.5" MX MR16 Adjustable

Catalog Number	Lamp Type	Socket Type	Maximum Wattage
MXT-RTRx300-GU53	12V MR16	GU5.3	15W LED / 20W Halogen
MXT-RTRx300-GU10	120V MR16	GU10	15W LED / 20W Halogen

FEATURES

- New architectural trim finishes available
- 35° Locking vertical and 360° locking horizontal adjustment

LAMP (ORDERED SEPARATELY)

- 12V MR16 GU5.3 LED 15W max. - accommodates lamp diameter up to 1.97" (50.1mm) and MOL of 1.83" (46.4mm)
- 12V MR16 GU5.3 Halogen 20W max. (must use MR16 with front cover glass) - lamp diameter up to 1.97" and MOL of 1.83"
- 120V MR16 GU10 Halogen 20W max. - accommodates lamp diameter up to 1.97" (50.1mm) and MOL of 2.18" (55.3mm)

ELECTRICAL SYSTEM

- Power factor >.9, 50/60Hz
- Multiple electronic transformers available, dimming on 120V only
- This product complies with IEEE C62.41 for surge endurance up to 2.5KV. Additional surge protection recommended. Damage from power surge is not covered by warranty.

TRANSFORMERS (Check LED compatibility with lamp manufacturer):

- NT - GU10 without transformer with 120V input (20W max.)
- T1 - Hatch RS12-15(X)-LED 120V input/12V output 15W max., no minimum load
- T2 - Hatch RS12-60(X) 120V input/12V output 20W max., no minimum load
- T3 - Hatch RS12-80-277(X) 277V input/12V output 20W max., minimum load 10W (not recommended for LED)

HOUSING

Heavy duty black powder coated 18 gauge steel frame. Standard plaster frame accommodates 5/8" ceiling thickness. Extended collar options available for ceilings up to 1" or 2" thick, must specify.

TRIM SPECIFICATION

Aiming with locking 35° vertical and 360° horizontal adjustment. High quality trims are die-cast using A380 aluminum with durable powder coat available in multiple finishes. Architectural, discrete self flange or painted white flange options available. Trims available in 1" regress for greater visual comfort or 1/2" regress for consistent look throughout space.

INSTALLATION

Housing types include IC Air-Tight, CCEA (Chicago Plenum), or Non-IC Rated (must specify). Non-IC rated housings must be kept at a minimum of 3" away from insulation. Butterfly brackets are compatible with C-channel, adjustable bar hangers (14"-25") and EMT. C-channel is recommended for T-bar ceilings. Bar hangers must be ordered separately. Consult lamp manufacturer for maximum ambient temperature.

ACCESSORIES

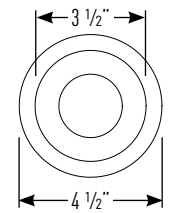
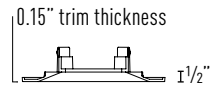
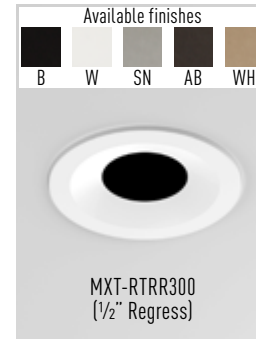
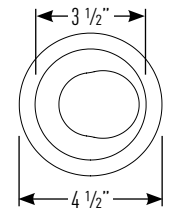
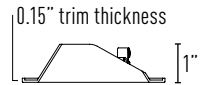
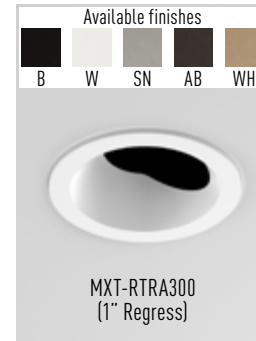
Luminaire will accommodate (2) accessories, accessory holder required. See page 2.

LISTINGS

- ETL Listed to US and Canadian standards for damp locations
- (-AIC Only) Air Tight Certified ASTM E283
- (-AIC Only) ETL listed for direct contact w/insulation
- (-CP Only) CCEA Chicago Plenum



JOB NAME	CATALOG NUMBER
NOTES	TYPE



Housing dimensions are on Page 2

Housing Part Number (Example: MR16-MXARTR-ICT1)

Housing	Installation Type	Ceiling Thickness	Transformer	Options
MR16-MXARTR	-NC (Non-IC)	blank (5/8")	NT (GU10 120V No Transformer)	I100 (C-Channel Bar Hangers)
	-IC (Air-Tight IC)	EC1 (1")	T1 (120V/12V RS12-15X-LED)	I200 (Flat Bar Hangers)
	-CP (Chicago Plenum)	EC2 (2")	T2 (120V/12V RS12-60X)	I400 (Wood Joist Bar Hangers)
			T3 (277V/12V RS12-80X)	

Trim Part Number (Example: MXT-RTRA300W-SF-GU53)

Trim	Finish	Base Type
MXT-RTRA300 (1" Regress)	B-SF (Black / Self Flanged)	-GU53 (12V MR16)
	B-SFW (Black / Self Flanged White)	-GU10 (120V MR16)
MXT-RTRR300 (1/2" Regress)	W-SF (White / Self Flanged)	
	SN-SF (Satin Nickel / Self Flanged)	
	SN-SFW (Satin Nickel / Self Flanged White)	
	AB-SF (Antique Bronze / Self Flanged)	
	AB-SFW (Antique Bronze / Self Flanged White)	
	WH-SF (Wheat / Self Flanged)	
WH-SFW (Wheat / Self Flanged White)		

MX ADJUSTABLE | M-02717 P-1

Notes:
1. Consult factory for lead times

Intense Lighting

3340 E La Palma Ave, Anaheim, CA 92806 | tel 714 630-9877 | fax 714 630-9883
©2016 Intense Lighting, LLC. All rights reserved. Subject to change without notice.

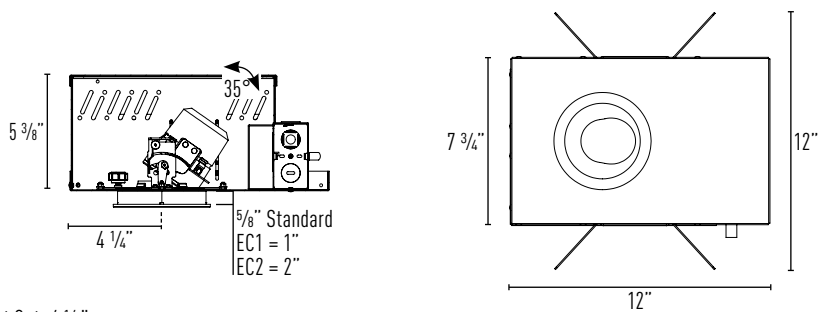
intense® a LEVITON® company
LIGHTING company

MR16-MXARTR

3.5" MX MR16 Adjustable

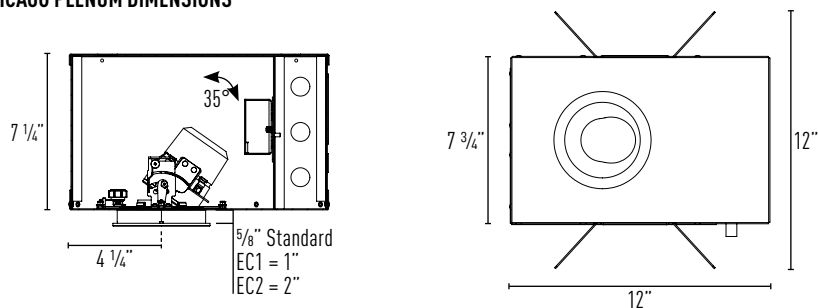
JOB NAME		CATALOG NUMBER	
NOTES		TYPE	

NON-IC & AIR TIGHT IC DIMENSIONS



Ceiling Cut Out: 4 1/8"

CCEA CHICAGO PLENUM DIMENSIONS



Ceiling Cut Out: 4 1/8"

ACCESSORIES

Luminaire will accommodate (2) accessories, accessory holder required.

INSTALLATION

1. Remove module from channel and disconnect quick connect.
2. Rotate release cap by turning counter clockwise. Remove two screws on release cap to remove integral sleeve.
3. Install accessories into accessory holder and replace accessory holder's retaining clip.
4. Place accessory holder and accessory against release cap and replace integral sleeve with two screws.
5. Replace release cap.

Accessories

- LH47** (Accessory Holder, Black)
- LH47W** (Accessory Holder, White)
- PFLMB-47** (Hex Louver, Black)
- PFL1-47** (Prismatic Spread Lens)
- PFL2-47** (Linear Spread Lens)
- PFL4-47** (Soft Focus Lens)

