

OVERVIEW

The nLight nEPS 60 IO EZ LC embedded dimming output module controls Lithonia and other Acuity Brands LED luminaires with 0-10V LED drivers from eldoLED. The nEPS 60 IO EZ LC also contains an nLight power supply making it ideal for SOLOdrive (0.1%) family drivers that do not provide auxiliary device power. This smart device results in the luminaire being "nLight enabled" - making it both addressable as well as capable of digitally communicating with other nLight enabled controls such as occupancy sensors, photocells, and WallPods. This allows for advanced operation and design flexibility ranging from stand-alone rooms to building and campus-wide networks.

The nEPS 60 IO EZ LC device also provides energy saving lumen management. With lumen management the device actively manages the luminaires LED light output such that constant lumen output is maintained over system life, thus preventing the energy waste created by the traditional practice of over-lighting.

For controlling eldoLED ECOdrive (1%) family drivers, a nIO EZ LC device is recommended since the driver provides an auxiliary power output to power the device and nLight bus.

FEATURES

- Optimized for eldoLED Drivers
- Optional Lumen Compensation
- Communicates w/ nLight Network
- Supplies nLight Bus Power
- Remotely Configurable/Upgradeable
- Push-Button Programmable

Warranty

Five-year limited warranty. Complete warranty terms located at:
www.acuitybrands.com/CustomerResources/Terms_and_conditions.aspx

Note: Actual performance may differ as a result of end-user environment and application. Specifications subject to change without notice.



This item is an A+ capable component, which has been designed and tested to provide out-of-the-box luminaire compatibility with simple commissioning, when included as part of an A+ Certified™ Solution.

To learn more about A+, visit www.acuitybrands.com/aplus.



nEPS 60 IO EZ LC eldoLED Dimming Pack



ORDERING INFORMATION

nEPS 60 IO EZ LC		Example: nEPS 60 IO EZ LC N80 KO	
Series	Lumen Compensation	Mounting	
nEPS 60 IO EZ LC eldoLED Dimming Pack	N80 Lumen compensation enabled N100 Lumen compensation disabled	[blank] Standard KO Chase nipple mounting	

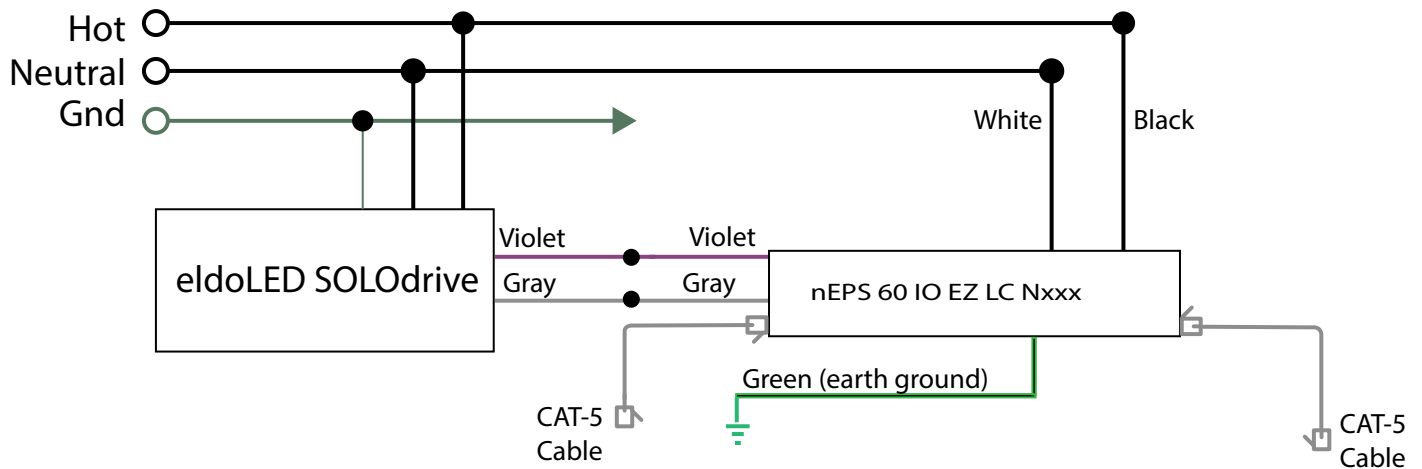
OPERATION DETAILS

The nEPS 60 IO EZ LC wires to the 0-10 VDC inputs of the LED driver, providing smooth continuous dimming. For optimized performance with the eldoLED drivers the actual controllable dimming voltage range is set to 1.5 VDC to 9.1 VDC. The nEPS 60 IO EZ LC can also switch the luminaire off by lowering its control voltage to ~0.3 VDC which triggers a LED sleep mode. Device and bus power is provided by the internal power supply. Typically factory installed directly into a fixture, the nEPS 60 IO EZ LC actively manages the lumen output of the luminaire providing constant lumen output and added energy savings compared to unmanaged fixtures. A single CAT-5e cable connection from one of the nEPS 60 IO EZ LC's RJ-45 ports to any nLight enabled occupancy sensor or WallPod automatically adds further lighting controls without any additional low or line voltage wiring or commissioning.

LUMEN COMPENSATION ALGORITHM

The nEPS 60 IO EZ LC tracks actual run-time hours, temperature, and the output level (i.e. dim level) of the luminaire. An "accumulated hours" value is also maintained using an algorithm that adjusts the actual run time based on the temperature and output level. For example the longer a fixture is dimmed the slower the accumulated hours value will increase. Cooler temperatures also cause the accumulated hours value to increment slower than real time as well. LED luminaires controlled by a nEPS 60 IO EZ LC have the option of operating in a "lumen compensated" state that provides significant energy savings while maintaining constant lumen output over the life of the LEDs. Referred to as n80 and/or lumen management, this operation mode initially controls the LEDs at ~80% of their specified full lumen output level.

WIRING (DO NOT WIRE HOT)



Note: on versions with the KO option, all wires exit the device via the chase nipple.

STANDARD WIRING

BLACK - Hot (120/277VAC)

WHITE - Neutral

GREEN - Earth Ground

LOW VOLTAGE

VIOLET - Low Voltage Dimming Output

GRAY - Low Voltage Common

SPECIFICATIONS

Electrical

Input Ratings 120-277VAC, 50/60 Hz

Output Ratings 20mA, 0-10VDC Dimming Sink Current

Low Voltage Output Ratings 15VDC, 30mA per RJ-45 Port (60mA total)

Standards/ Ratings Energy Management Equipment, UL916 (E167435)

Mechanical

Dimensions 1.04"H x 1.16"W x 9.50"D (26mm x 30mm x 24mm) - does not include 1/2" chase nipple

Mounting Slotted Feet (Base Version)
1/2" Knockout (7/8" hole) (KO Option)

Color White

Connection Type RJ-45 nLight Network Ports (2)
Line and Low Voltage Leads

Environmental

Warrantied Operating Temperature 14°F to 131°F (-10°C to 55°C)

Relative Humidity Up to 90%, Non-Condensing

Standards/ Ratings RoHS, Plenum UL2043

General

Standards/ Ratings System Component to aid in compliance with Title 24, ASHRAE 90.1, IECC