

OVERVIEW

The nLight nPS 80 EZ dimming pack controls LED luminaires with 0-10V LED drivers from eldoLED. This smart device results in the luminaire being “nLight enabled” - making it both addressable as well as capable of digitally communicating with other nLight enabled controls such as occupancy sensors, photocells, and WallPods. This allows for advanced operation and design flexibility ranging from stand-alone rooms to building and campus-wide networks.

The nPS 80 EZ device also provides energy saving lumen management. With lumen management the device actively manages the luminaires LED light output such that constant lumen output is maintained over system life, thus preventing the energy waste created by the traditional practice of over-lighting.

An nPS 80 EZ is compatible with all eldoLED 0-10V drivers, however a nIO EZ PH device is also an option for controlling eldoLED ECOdrive (1%) family drivers with an auxiliary power output.

FEATURES

- Optimized for eldoLED drivers
- Communicates w/ nLight Network
- Supplies 40mA of Bus Power / RJ-45 port
- Remotely configurable/upgradeable
- Push-button programmable
- Extended Chase Nipple
- Plenum rated
- Programmable return to last state capability

Warranty

Five-year limited warranty. This is the only warranty provided and no other statements in this specification sheet create any warranty of any kind. All other express and implied warranties are disclaimed. Complete warranty terms located at: www.acuitybrands.com/support/warranty/terms-and-conditions

Note: Actual performance may differ as a result of end-user environment and application. Specifications subject to change without notice.



nPS 80 EZ Dimming Power Pack



ORDERING INFORMATION

nPS 80 EZ		Example: nPS 80 EZ ER LT		
Series	Default Mode	Voltage	Lumen Compensation	Temp/Humidity
nPS 80 EZ	[blank] Auto On (Switch Ch. 1) SW2 ¹ Auto On (Switch Ch. 2) SW3 ¹ Auto On (Switch Ch. 3) SW4 ¹ Auto On (Switch Ch. 4) SA ¹ Manual On (Switch Ch. 1) PA70 Auto-On to 70% (Partial-On)	[blank] 120/277VAC 347 120/347VAC	[blank] Lumen comp. (disabled by default) N80 Lumen comp. (enabled by default)	[blank] Standard LT Low temp

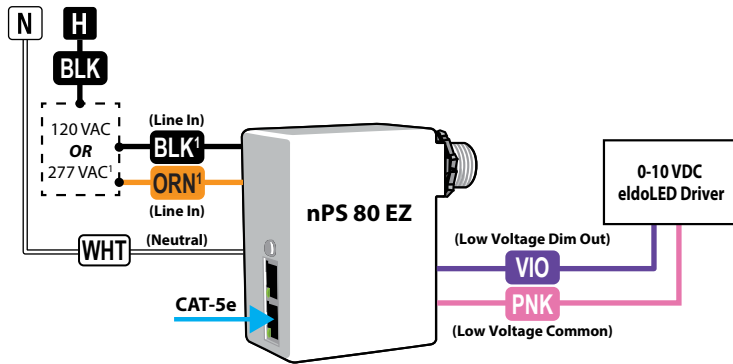
NOTES

1 Not Available with N80 or LT options

WIRING (DO NOT WIRE HOT)

T568B pin/pair assignment is recommended for all CAT-5e cables. For Supply Connections, use 14 AWG or larger wires rated for at least 75° C.

Diagram for standard units

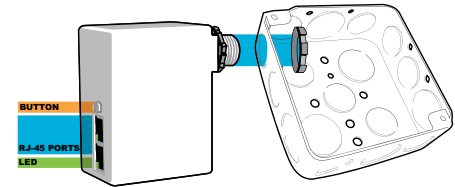


Notes

1) BLK - 120 VAC, ORN - 277 VAC (or 347 VAC if unit has 347 option)

INSTALLATION INSTRUCTIONS

- Mount through a 1/2" knockout in any junction box or luminaire. Secure with lock nut.
- Following above wiring diagram, connect wires to line voltage feed(s), neutral(s), and load.
- Connect low voltage violet and gray dimming wires to 0-10 VDC driver leads.
Note: Wires have 600V rated insulation.
- If green wire is present, connect to earth ground.
- Interconnect unit (via RJ-45 ports) with other nLight devices in lighting zone using CAT-5e cables.



SPECIFICATIONS

Electrical

Input Ratings 120/277VAC, 50/60 Hz
120/347VAC, 50/60 Hz (with 347 option)

Output Ratings 75mA, 0-10VDC Dimming Sink Current

Low Voltage Output Ratings 15VDC, 40mA per RJ-45 Port (80mA total)

Class Rating 0-10V Dimming can be wired Class 1 or 2

Standards/ Ratings Energy Management Equipment, UL916 (E167435)

Mechanical

Dimensions 3.38"H x 2.53"W x 1.83"D (86mm x 64mm x 47mm) - does not include 1/2" chase nipple

Mounting 1/2" Knockout (7/8" hole)

Color White

Connection Type RJ-45 nLight Network Ports (2)
Line and Low Voltage Leads

Environmental

Warrantied Operating Temperature 14°F to 122°F (-10°C to 50°C)

Relative Humidity Up to 90%, Non-Condensing

Standards/ Ratings RoHS, Plenum UL2043

General

Standards/ Ratings System Component to aid in compliance with Title 24, ASHRAE 90.1, IECC