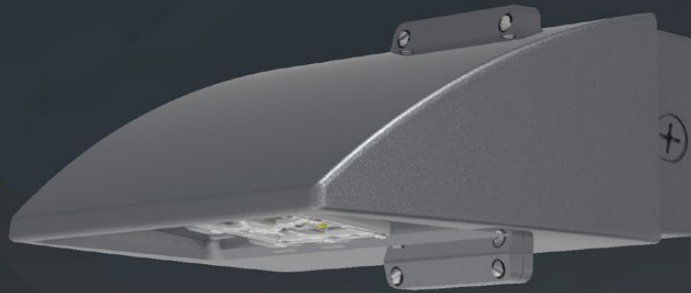


ARCHITECTURAL HIGH PERFORMANCE FULL CUTOFF WALL PACK



LED WATTAGE CHART

	16L	32L
400 milliamps	21w	-
530 milliamps	29w	-
700 milliamps	37w	71w
1000 milliamps	-	100w
1050 milliamps	56w	-

KEY FEATURES

- Ideal for Exterior Walls, Entryways, Pathways, New Construction and Renovation, Warehouse and Receiving Docks, Court Yards, and School Playgrounds
- Sleek Minimalistic Design of the the NV-W (up to 11,000 Lumens, 12"W x 9"D x 5.5"H) Compliments the Design of the NV-W2 (up to 24,000 Lumens, 18"W x 9.38"D x 5"H)
- Amber, 2700K, 3000K, 3500K, 4000K, 5000K CCT Multichip High Power 70 & 80 CRI LEDs
- IP65 Rated Against Dust & Water Ingress, IK10 Rated for Tamper/ Vandalism/Impact Protection
- 20kA Surge Protection (120V - 480V) Cold Weather Integrated Battery Back-Up Safety Options
- Silicone Optics providing 96% Clarity and Heat Resistant up to 150°C
- 9 Standard Finishes, Custom Finish and Marine Grade Finish Available

- Controls Agnostic, Compatible with Most Control Systems and Sensors
- Environmentally Friendly Product Which Reduces Energy Consumption, L70 > 100,000 hours
- IDA qualified for 3000K CCT and Lower for Down-light Application, Reducing Light Pollution and Trespass
- Buy America(n) Option Available, Quick Mount for Easy Installation
- Cost Competitive and Short Shipping Lead Times in Days & Weeks

BUY AMERICAN

To ensure the latest BAA/TAA/BABA Standards are being met, please select BAA, TAA, or BABA in the options section. Please contact the factory before placing an order for any NLS products requesting BAA (Buy American Act), TAA (Trade American Act), or BABA (Build America, Buy America).



PRODUCT SPECIFICATIONS

ELECTRICAL

- 120-277 Volts (UNV) or 347-480 Volts (HV)
- 0-10V dimming driver
- Driver power factor at maximum load is $\geq .95$, THD maximum load is 15%
- LED Drivers Ambient Temp. Min is -40°C and Ambient Temp. Max ranges from 50°C to 55°C and, in some cases, even higher. Consult the factory for revalidation by providing the fixture catalog string before quoting and specifying it.
- All internal wiring UL certified for 600 VAC and 105°C
- All drivers, controls, and sensors housed in enclosed IP66 compartment
- CRI 70, 80, 90
- Color temperatures: 2700K, 3000K, 3500K, 4000K, 5000K

CONSTRUCTION

- Die Cast Aluminum
- Internal cooling fins
- Corrosion resistant external hardware
- One-piece silicone gasket ensures IP65 seal for electronics compartment
- Two-piece silicone Micro Optic system ensures IP67 level seal around each PCB
- Silicone Micro Optics: Recessed, full cutoff, vandal resistant and non-yellowing
- Dark Sky Approved

OPTIONS

- **MARINE GRADE FINISH (MGF)** - A multi-step process creating protective finishing coat against harsh environments. Chemically washed in a 5 stage cleaning system. Prebaked, Powder coated 3-5 mils of Zinc Rich Super Durable Polyester Primer. Oven Baked. Finished Powder Coating of Super Durable Polyester Powder Coat 3-5 mil thickness.
- **VANITY PLATE (VP)** - Optional Vanity Plate was designed to cover the unsightly remains on a wall where a larger HID wallpack was removed. The aluminum Vanity Plate will be painted to match the finish of the NV-W, custom finishes are available, please consult factory. The standard Vanity Plate is 16"W x 16"H.
- **20KA Surge Protector (20KA)** - protects the complete system against nominal surges of up to 20KA. Protection against power surges, storms and lightning strikes.
- **Dual-circuit option (2CT)** - extra driver included and wired to independently operate LED modules.
- **Black Optic Frame (BOF)** - Black optic frame. Standard is white.
- **GLASS LENS (GL)** - Low Iron Glass, fully tempered.
- **High performance amber lens (HAL)**
- **BLACK OPTIC FRAME (BOF)** - Optional black optic frame. (includes black hardware) Standard is white
- **EMERGENCY BATTERY BACK-UP**
 - 100-277 VAC \pm 10%, 50/60 Hz Input Voltage
 - 24-48 Hours Recharge Time
 - Battery Type LiFePO4 9.6VDC
 - 90 Minutes Min. Illumination Time
 - Class 2 Output Classification
 - Bi-Color Wet Location Test Switch
- **EMERGENCY BATTERY (EM4)** - 4W Total Max. LED Powered.
- **EMERGENCY BATTERY (EM8)** - 8W Total Max. LED Powered.
- **EMERGENCY BATTERY BACK-UP (EMCP)**- Emergency cold pack (-20°C minimum) battery system available in 14W output.

CONTROL OPTIONS

- **FSP-211 w/Motion Sensor/Photocell (120/277VAC, 230-240VAC)** (FSP-X) - Passive infrared (PIR) sensor providing multi-level control based on motion/daylight contribution.
- **FSP-221 w/Motion Sensor/Photocell (100-347VAC, 208/230/480VAC)** (FSP-HV-X) - Passive infrared (PIR) sensor providing multi-level control based on motion/daylight contribution.
 - All control parameters adjustable via wireless configuration remote storing and transmitting sensor profiles.
 - FSP-8 Mounting heights 8 feet and below
 - FSP-20 mounting heights 9-20 feet
 - FSP-40 mounting heights 21-40 feet.
 - Includes 5 dimming event cycles, 0-10V dimming with motion sensing, re-programmable in the field. Programmable remote must be purchased separately.
 - FSIR-100 commissioning remote is required to change sensor settings. Please contact factory for ordering.
- **Controls Agnostic:** Please contact factory for your preferred controls option.
- **NEMA 7-PIN RECEPTACLE (PE7)**—An ANSI C136.41-2013 receptacle provides electrical and mechanical interconnection between photo control cell and luminaire. Dimming receptacle available two or four dimming contacts supports 0-10 VDC dimming methods or Digital Addressable Lighting Interface (DALI), providing reliable power interconnect.
- **BUTTON PHOTOCCELL**—Dusk to dawn optional Button Photocell.

FINISH

- 3-5 mils electrostatic powder coat.
- NLS Lighting's standard high-quality finishes prevent corrosion, and protects against extreme environmental conditions.

WARRANTY

Five-year limited warranty for drivers and LEDs.

OPTICS

Silicone optics high thermal stability and light output provide higher powered LEDs with minimized lumen depreciation. UV stability with scratch resistance increases exterior application durability. Silicone optics do not yellow, crack or brittle over time.

LISTINGS

- UL Listed in compliance with UL 1598, the Standard for Safety of Luminaires, including the applicable wet location requirements
- Compliant with UL 8750 LED driver design and test safety standards
- CSA C22.2 No. 250.0
- DesignLights Consortium® (DLC)
- DesignLights Consortium Premium® (DLCP)
- IP65 Rated Fixture / IP67 Rated Optics
- IK10 Rated
- IDA Dark Sky Approved

BUY AMERICAN OPTION

While all of the NLS Lighting products listed in this document qualify for the Buy America(n) Act of 1933, we reserve the right to change our listings without notice.

The information provided above is for general informational purposes only. We encourage you to consult legal professionals for advice particular to your projects concerning BAA, TAA, BABA or Buy America.

Additional NLS Products that meet BAA, TAA standards can be found at the following link:

<https://nslighting.com/buy-american/>



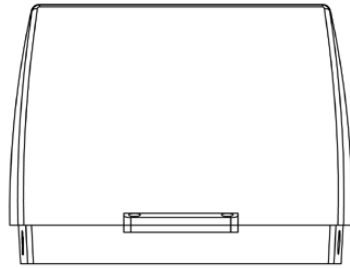
The information and specifications on this document are subject to change without any notification. All values are design, nominal, typical or prorated values when measured under internal and external laboratory conditions.



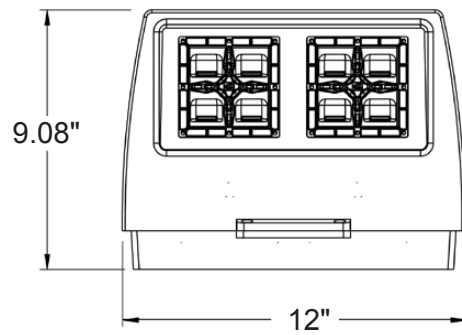
701 Kingshill Place, Carson, CA 90746
Call Us Today (310) 341-2037

nslighting.com

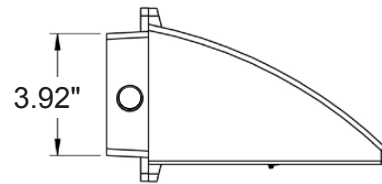
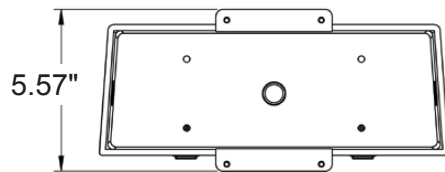
PRODUCT SPECIFICATIONS



TOP VIEW

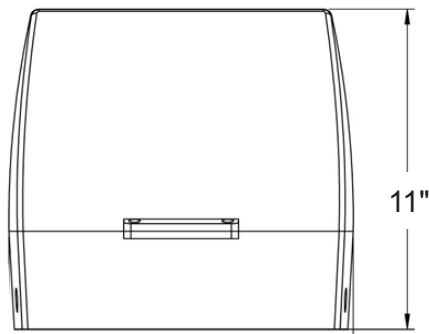


BOTTOM VIEW

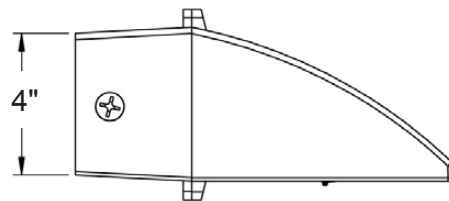


WEIGHT: 9.1 LBS

EMERGENCY BATTERY AND 7-PIN EXTENSION BOX DIMENSIONS



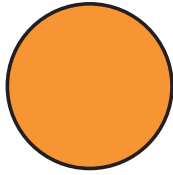
TOP VIEW



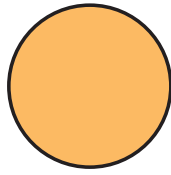
WEIGHT: 13.3 LBS

PRODUCT SPECIFICATIONS

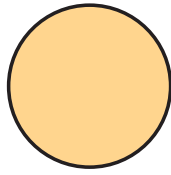
LED KELVIN RANGE



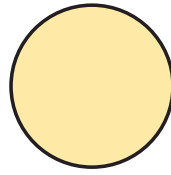
AMBER
585-600 nm



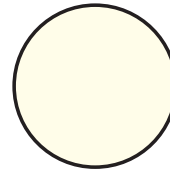
2700K 70 CRI



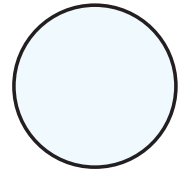
3000K 70 CRI



3500K 80 CRI



4000K 70 CRI



5000K 70 CRI

Color	Dominant or Peak Wavelength Range (nm)	
	Minimum	Maximum
Amber	585	600

Lumen Maintenance Data							
Ambient Temperature	Drive Current	L90 Hours*	L70 Hours**	30,000 Hours*	50,000 Hours*	60,000 Hours*	100,000 Hours**
25°C	Up to 700mA	58,000	173,000	95.7%	91.6%	89.6%	82.1%
	1050mA	48,000	143,000	94.3%	89.5%	87.2%	78.5%

*Reported extrapolations per IESNA TM-21 **Projected extrapolations per IESNA TM-21

MULTIPLIERS FOR NICHIA 144/144-V1 @ 700mA			
CCT	70 CRI	80 CRI	90 CRI
2700K	0.84	0.737	0.609
3000K	0.975	0.776	0.64
3500K	0.89	0.8	0.659
4000K	1	0.815	0.679
5000K	1	0.83	0.71

PRODUCT SPECIFICATIONS

LUMEN CHARTS - STANDARD MICRO OPTICS - NON-SHIELDED

STANDARD SILICONE MICRO OPTICS - NON-SHIELDED - 16 LED

PART NUMBER	T2	LPW	T3	LPW	T4	LPW	Wattage
NV-W-16L-40-27K7	2561	122	2591	123	2561	122	21
NV-W-16L-40-27K8	2398	114	2426	116	2398	114	21
NV-W-16L-40-30K7	2469	118	2801	133	2769	132	21
NV-W-16L-40-30K8	2571	122	2601	124	2571	122	21
NV-W-16L-40-35K8	2571	122	2601	124	2571	122	21
NV-W-16L-40-40K7	2992	142	3027	144	2992	142	21
NV-W-16L-40-40K8	2769	132	2801	133	2769	132	21
NV-W-16L-40-50K7	2992	142	3027	144	2992	142	21
NV-W-16L-40-50K8	2769	132	2801	133	2769	132	21
NV-W-16L-53-30K7	3544	127	3579	128	3544	127	28
NV-W-16L-53-40K7	3756	134	3794	136	3756	134	28
NV-W-16L-53-50K7	3756	134	3794	136	3756	134	28
NV-W-16L-7-30K7	4388	122	4432	123	4388	122	36
NV-W-16L-7-40K7	4651	129	4698	131	4651	129	36
NV-W-16L-7-50K7	4651	129	4698	131	4651	129	36
NV-W-16L-1-30K7	5970	107	6029	108	5970	107	56
NV-W-16L-1-40K7	6328	113	6391	114	6328	113	56
NV-W-16L-1-50K7	6328	113	6391	114	6328	113	56

STANDARD SILICONE MICRO OPTICS - NON-SHIELDED - 32 LED

PART NUMBER	T2	LPW	T3	LPW	T4	LPW	Wattage
NV-W-32L-7-30K7	9010	127	9100	128	9010	127	71
NV-W-32L-7-40K7	9550	135	9646	136	9550	135	71
NV-W-32L-7-50K7	9550	135	9646	136	9550	135	71
NV-W-32L-1A-30K7	10871	109	10983	110	10871	109	100
NV-W-32L-1A-40K7	11426	114	11544	115	11426	114	100
NV-W-32L-1A-50K7	11426	114	11544	115	11426	114	100

PRODUCT SPECIFICATIONS

LUMEN CHARTS - PERFORMANCE MICRO OPTICS - NON-SHIELDED

PERFORMANCE SILICONE MICRO OPTICS - NON-SHIELDED - 16 LED

PART NUMBER	T4FTW	LPW	Wattage
NV-W-16L-40-27K7	2099	100	21
NV-W-16L-40-30K7	2437	116	21
NV-W-16L-40-40K7	2499	119	21
NV-W-16L-40-50K7	2499	119	21
NV-W-16L-53-27K7	2587	92	28
NV-W-16L-53-30K7	3003	107	28
NV-W-16L-53-40K7	3080	110	28
NV-W-16L-53-50K7	3080	110	28
NV-W-16L-7-27K7	3054	85	36
NV-W-16L-7-30K7	3545	98	36
NV-W-16L-7-40K7	3636	101	36
NV-W-16L-7-50K7	3636	101	36
NV-W-16L-1-27K7	4668	83	56
NV-W-16L-1-30K7	5418	96	56
NV-W-16L-1-40K7	5557	99	56
NV-W-16L-1-50K7	5557	99	56

PERFORMANCE SILICONE MICRO OPTICS - NON-SHIELDED - 32 LED

PART NUMBER	T4FTW	LPW	Wattage
NV-W-32L-35-27K7	3901	108	36
NV-W-32L-35-30K7	4528	126	36
NV-W-32L-35-40K7	4644	129	36
NV-W-32L-35-50K7	4644	129	36
NV-W-32L-53-27K7	5443	101	54
NV-W-32L-53-30K7	6318	117	54
NV-W-32L-53-40K7	6480	120	54
NV-W-32L-53-50K7	6480	120	54
NV-W-32L-7-27K7	6620	93	71
NV-W-32L-7-30K7	7684	108	71
NV-W-32L-7-40K7	7881	111	71
NV-W-32L-7-50K7	7881	111	71
NV-W-32L-1A-27K7	9227	91	101
NV-W-32L-1A-30K7	10709	106	101
NV-W-32L-1A-40K7	10984	109	101
NV-W-32L-1A-50K7	10984	109	101

PRODUCT SPECIFICATIONS

BUG RATING CHARTS - STANDARD MICRO OPTICS - NON-SHIELDED

STANDARD SILICONE MICRO OPTICS - NON-SHIELDED - 16 LED			
PART NUMBER	T2	T3	T4
NV-W-16L-40-27K7	B1-U0-G1	B1-U0-G1	B1-U0-G1
NV-W-16L-40-27K8	B1-U0-G1	B1-U0-G1	B1-U0-G1
NV-W-16L-40-30K7	B1-U0-G1	B1-U0-G1	B1-U0-G1
NV-W-16L-40-30K8	B1-U0-G1	B1-U0-G1	B1-U0-G1
NV-W-16L-40-35K8	B1-U0-G1	B1-U0-G1	B1-U0-G1
NV-W-16L-40-40K7	B1-U0-G1	B1-U0-G1	B1-U0-G1
NV-W-16L-40-40K8	B1-U0-G1	B1-U0-G1	B1-U0-G1
NV-W-16L-40-50K7	B1-U0-G1	B1-U0-G1	B1-U0-G1
NV-W-16L-40-50K8	B1-U0-G1	B1-U0-G1	B1-U0-G1
NV-W-16L-53-30K7	B1-U0-G1	B1-U0-G1	B1-U0-G1
NV-W-16L-53-40K7	B1-U0-G1	B1-U0-G1	B1-U0-G1
NV-W-16L-53-50K7	B1-U0-G1	B1-U0-G1	B1-U0-G1
NV-W-16L-7-30K7	B1-U0-G1	B1-U0-G1	B1-U0-G1
NV-W-16L-7-40K7	B1-U0-G1	B1-U0-G1	B1-U0-G1
NV-W-16L-7-50K7	B1-U0-G1	B1-U0-G1	B1-U0-G1
NV-W-16L-1-30K7	B1-U0-G1	B1-U0-G2	B1-U0-G2
NV-W-16L-1-40K7	B1-U0-G1	B1-U0-G2	B1-U0-G2
NV-W-16L-1-50K7	B1-U0-G1	B1-U0-G2	B1-U0-G2

STANDARD SILICONE MICRO OPTICS - NON-SHIELDED - 32 LED			
PART NUMBER	T2	T3	T4
NV-W-32L-7-30K7	B1-U0-G2	B2-U0-G2	B2-U0-G2
NV-W-32L-7-40K7	B1-U0-G2	B2-U0-G2	B2-U0-G2
NV-W-32L-7-50K7	B1-U0-G2	B2-U0-G2	B2-U0-G2
NV-W-32L-1A-30K7	B2-U0-G2	B2-U0-G2	B2-U0-G2
NV-W-32L-1A-40K7	B2-U0-G2	B2-U0-G2	B2-U0-G2
NV-W-32L-1A-50K7	B2-U0-G2	B2-U0-G2	B2-U0-G2

PRODUCT SPECIFICATIONS

BUG RATING CHARTS - PERFORMANCE MICRO OPTICS - NON-SHIELDED

PERFORMANCE SILICONE MICRO OPTICS - NON-SHIELDED - 16 LED

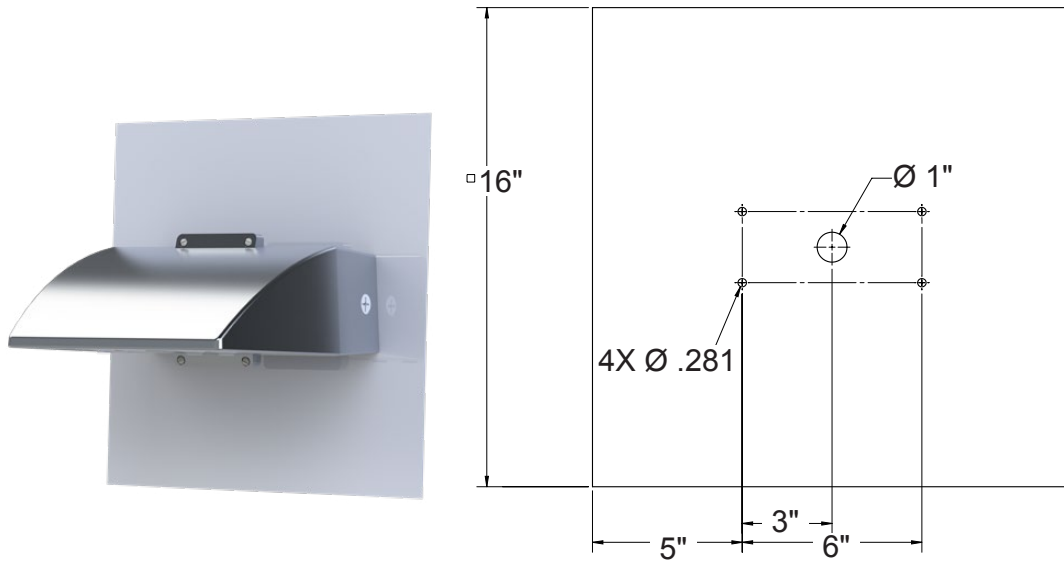
PART NUMBER	T4FTW
NV-W-16L-40-27K7	B1-U0-G2
NV-W-16L-40-30K7	B1-U0-G2
NV-W-16L-40-40K7	B1-U0-G2
NV-W-16L-40-50K7	B1-U0-G2
NV-W-16L-53-27K7	B1-U0-G2
NV-W-16L-53-30K7	B1-U0-G2
NV-W-16L-53-40K7	B1-U0-G2
NV-W-16L-53-50K7	B1-U0-G2
NV-W-16L-7-27K7	B1-U0-G2
NV-W-16L-7-30K7	B1-U0-G3
NV-W-16L-7-40K7	B1-U0-G3
NV-W-16L-7-50K7	B1-U0-G3
NV-W-16L-1-27K7	B1-U0-G3
NV-W-16L-1-30K7	B1-U0-G3
NV-W-16L-1-40K7	B1-U0-G3
NV-W-16L-1-50K7	B1-U0-G3

PERFORMANCE SILICONE MICRO OPTICS - NON-SHIELDED - 32 LED

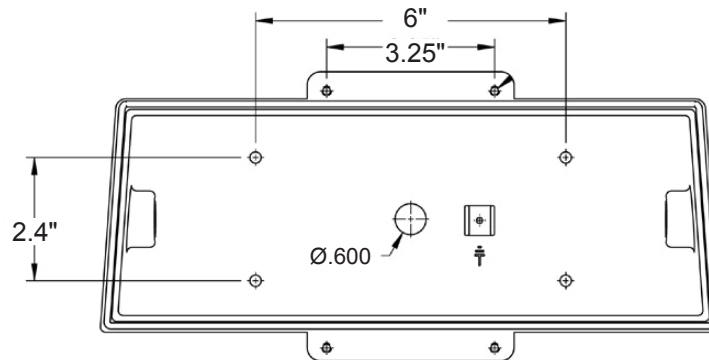
PART NUMBER	T4FTW
NV-W-32L-35-27K7	B1-U0-G1
NV-W-32L-35-30K7	B1-U0-G2
NV-W-32L-35-40K7	B1-U0-G2
NV-W-32L-35-50K7	B1-U0-G2
NV-W-32L-53-27K7	B1-U0-G2
NV-W-32L-53-30K7	B1-U0-G2
NV-W-32L-53-40K7	B1-U0-G2
NV-W-32L-53-50K7	B1-U0-G2
NV-W-32L-7-27K7	B1-U0-G2
NV-W-32L-7-30K7	B1-U0-G2
NV-W-32L-7-40K7	B2-U0-G2
NV-W-32L-7-50K7	B2-U0-G2
NV-W-32L-1A-27K7	B2-U0-G2
NV-W-32L-1A-30K7	B2-U0-G2
NV-W-32L-1A-40K7	B2-U0-G2
NV-W-32L-1A-50K7	B2-U0-G2

PRODUCT SPECIFICATIONS

VANITY PLATE (VP)



MOUNTING HOLE



* 3 Conduit access points on either side or center back.

MOTION SENSOR PLACEMENT



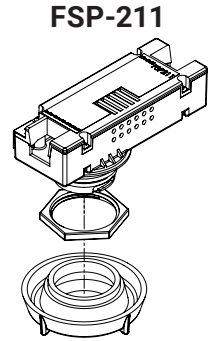
PRODUCT SPECIFICATIONS

CONTROL OPTIONS

- DIMMING CONTROL (FSP)—Passive infrared (PIR) sensor providing multi-level control based on motion/daylight contribution
- All control parameters adjustable via wireless configuration remote storing and transmitting sensor profiles.
- FSP-8 mounting heights 8 feet and below
- FSP-20 mounting heights 9-20 feet.
- FSP-40 mounting heights 21-40 feet.
- Includes 5 dimming event cycles, 0-10V dimming with motion sensing, re-programmable in the field.

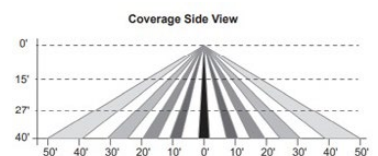
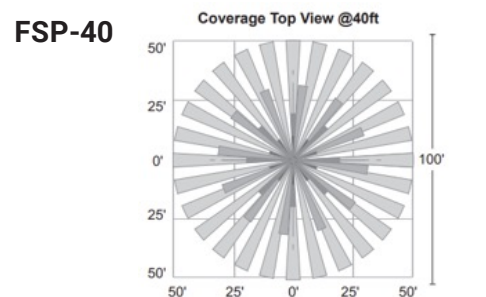
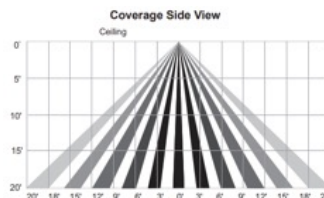
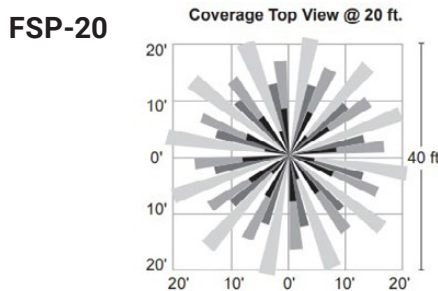
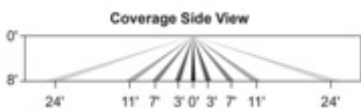
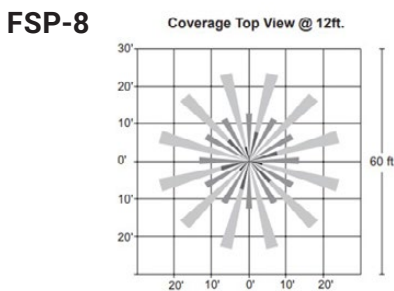
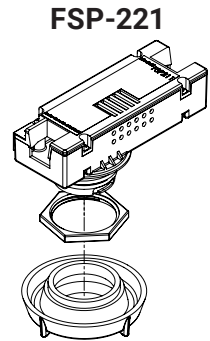
FSP-211 WITH MOTION SENSOR (FSP-XX)

- FSP-211(FSP-X)—Passive infrared (PIR) sensor providing multi-level control based on motion/daylight contribution.
- 120/277VAC, 230-240VAC
- All control parameters adjustable via wireless configuration remote storing and transmitting sensor profiles.
- FSP-8 mounting heights 8 feet and below
- FSP-20 mounting heights 9-20 feet.
- FSP-40 mounting heights 21-40 feet.
- Includes 5 dimming event cycles, 0-10V dimming with motion sensing, re-programmable in the field.



FSP-221 WITH MOTION SENSOR (FSP-HV-XX)

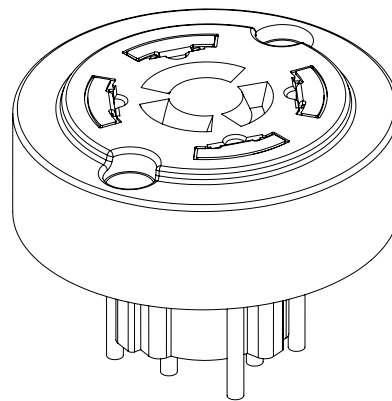
- FSP-221 (FSP-HV-X)—Passive infrared (PIR) sensor providing multi-level control based on motion/daylight contribution.
- 100-347VAC 208/230/480VAC
- All control parameters adjustable via wireless configuration remote storing and transmitting sensor profiles.
- FSP-8 mounting heights 8 feet and below
- FSP-20 mounting heights 9-20 feet.
- FSP-40 mounting heights 21-40 feet.
- Includes 5 dimming event cycles, 0-10V dimming with motion sensing, re-programmable in the field.



PRODUCT SPECIFICATIONS

NEMA 7-PIN RECEPTACLE (PE7)

An ANSI C136.41-2013 receptacle provides electrical and mechanical interconnection between photo control cell and luminaire. Dimming receptacle available two or four dimming contacts supports 0-10 VDC dimming methods or Digital Addressable Lighting Interface (DALI), providing reliable power interconnect.



MARINE GRADE FINISH (MGF)

The **(MGF)** is a multi step process. Chemically washed in a 5 stage cleaning system. Pre-baked. Powder coated 3-5 mils of Zinc Rich Super Durable Polyester Primer. Oven Baked. Finished Powder Coating of Super Durable Polyester Powder Coat 3-5 mil thickness.



Powder Coat Finish

3-5 mil Powder Coat

Primer Layer

3-5 mil Zinc Rich Super Durable Polyester Primer

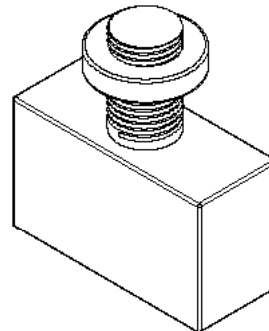
Prepared Casting

Chemically washed in multi Step 5 stage cleaning process

FIXTURE OPTIONS

BUTTON PHOTOCELL

Photo Cell for dusk to dawn operation.



BLACK OPTIC FRAME

Optional Black Optic Frame (includes black hardware) Standard Optic Frame is white.

