

NXRCFX SERIES

FX ROOM CONTROLLER



FEATURES

- Single or dual relay versions for ON/OFF or bi-level control
- Approved for use with controlled receptacles
- Single or dual 0-10V interface for full range dimming control
- FX bus enabled, allows for up to 32 room controllers per NX Zone Segment
- SmartPORT™ auto configuration support for NX Occupancy Sensors, Daylight Sensors and Smart Wall Stations
- Intelligently and automatically responds to sensors and switches in the most efficient manner
- Schedules are held in the devices themselves with integral Time Clock requiring no additional devices for scheduling
- Advanced configuration, power metering, and control through either NX Area Controller or HCS controlHUBB Bluetooth™ mobile application



RELATED PRODUCTS

- [NX Occupancy Sensors](#)
- [NX Specialty Wall Stations](#)
- [NX Smart Wall Stations](#)
- [NX Bluetooth® Controller](#)
- [NX Area Controller](#)
- [NX Bridge](#)

SPECIFICATIONS

CONSTRUCTION

- Housing: GSM UL Rated 94 HB Plastic
- Gray
- 4 oz. (113.4g)
- 5.75" (146.05MM) L x 3.85" (97.79MM) W x 1.30" (33.02MM) H
- Complies with requirements for use in a plenum area
- Plenum rated for external junction box mounting

MOUNTING

- Mounts directly to an external junction box through an extended ½" chase nipple

ELECTRICAL

Input

- 120/277/347VAC, 20A Max, 50/60 Hz
- Single feed connection regardless of one or two relays

Output¹

- 20A, Tungsten, 120VAC only
- 20A, Magnetic Ballast
- 16A, Electronic Ballast
- 1 H.P. Motor @120V, 3/4 H.P. @277V; 1/2 H.P.@347V

Low Voltage Ports

- Class 2

ELECTRICAL (CONTINUED)

Low Voltage Ports (Continued)

- 24VDC, 250mA MAX (all outputs combined)
- RS485 digital communication

Standby Power (W)

- 120VAC: 1.2W
- 277VAC: 1.5W
- 347VAC: 1.5W

Dimming

- Class 2/Class 1
- Installation as Class 1 requires 600 volt insulation on dimming conductors sharing a conduit with line voltage conductors

Power Metering²

- NXRC devices are factory calibrated to provide power metering accuracy of +/- 5% (Rating assumes standard load within specified voltage and temperature rating for NXRC; all values provided in Watts¹)

OPERATING ENVIRONMENT

- Operating temperature: 32° to 104°F (0° to 40°C)
- Relative humidity (non-condensing): 0% to 95%

CERTIFICATIONS

- Conforms with UL916 and Certified to CAN/CSA C22.2 No. 205-M1983

CERTIFICATIONS (CONTINUED)

- IC Approved
- Title 24 compliance

WARRANTY

- 5 year limited warranty
- See [HCS Standard Warranty](#) for additional information

Notes:

- 1 For (2) relay models the maximum combined output of both relays: 20A
- 2 Power metering only available with NXRC2-1RD-UNV and NXRC2-2RD-UNV options)

NXRCFX SERIES

FX ROOM CONTROLLER

DATE: _____ LOCATION: _____

TYPE: _____ PROJECT: _____

CATALOG #: _____

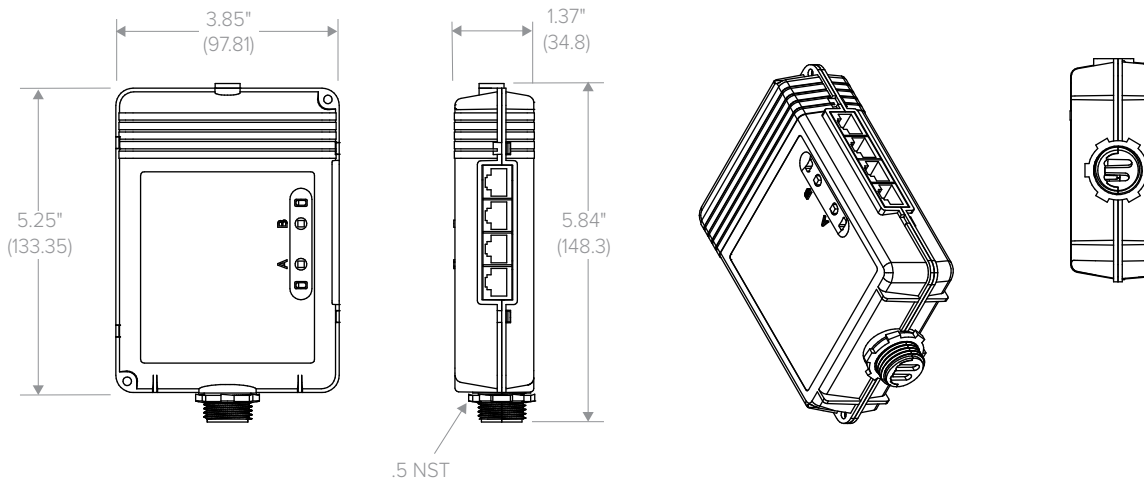
ORDERING GUIDE

Example: NXRCFX2-1RD-UNV

CATALOG #

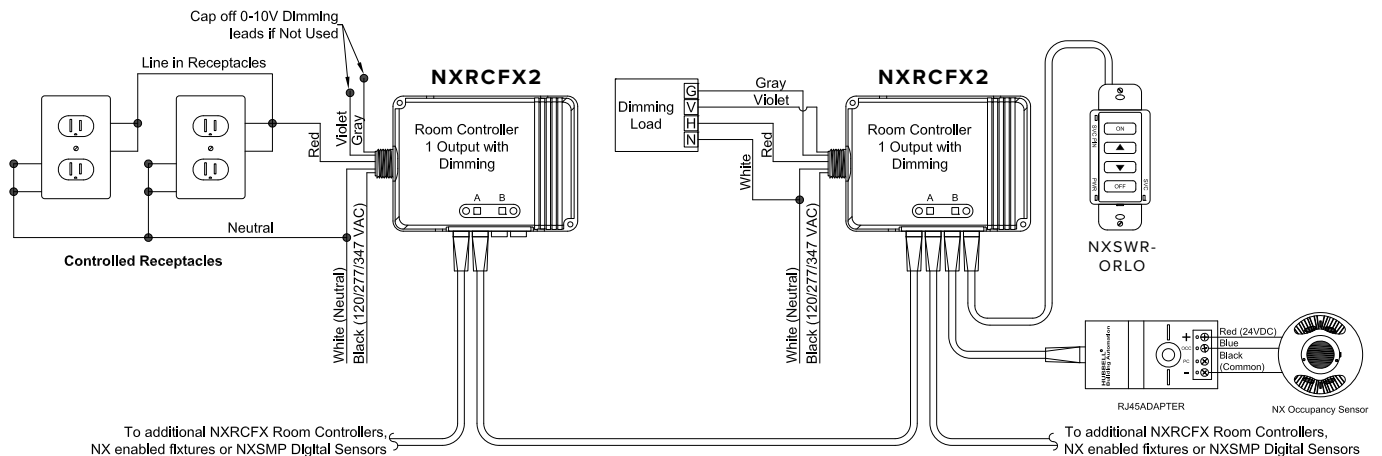
NXRCFX-2RD		UNV
Model		Voltage
NXRCFX2-1RD	NX Room Controller, FX Bus Compatible, 1 SPST Switched, One 0-10VDC Dimming Output	UNV 120/277/347VAC
NXRCFX2-2RD	NX Room Controller, FX Bus Compatible, 2 SPST Switched, Two 0-10VDC Dimming Output	

DIMENSIONS



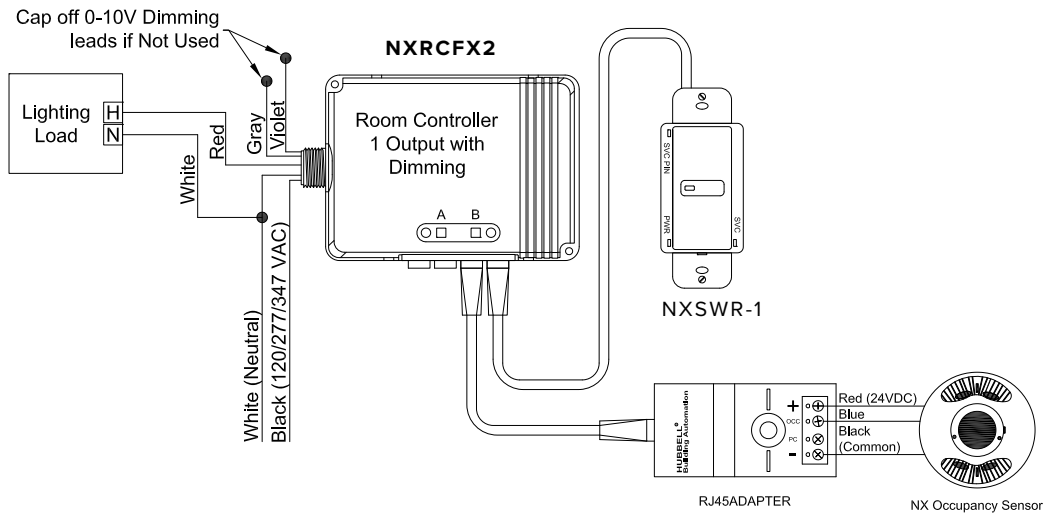
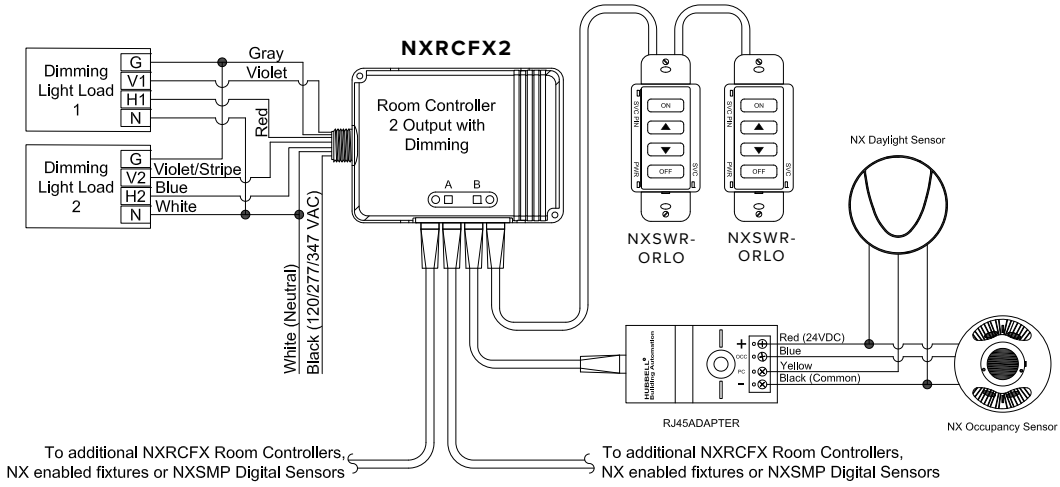
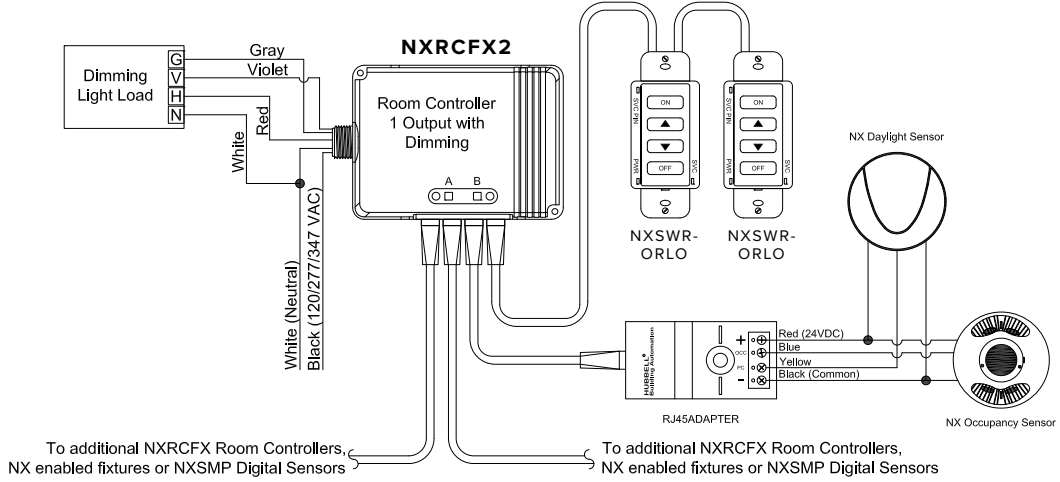
ADDITIONAL INFORMATION

Wiring Diagrams



ADDITIONAL INFORMATION (CONTINUED)

Wiring Diagrams (Continued)



NXRCFX SERIES

FX ROOM CONTROLLER

DATE: _____ LOCATION: _____

TYPE: _____ PROJECT: _____

CATALOG #: _____

ADDITIONAL INFORMATION (CONTINUED)

Wiring Diagrams (Continued)

