

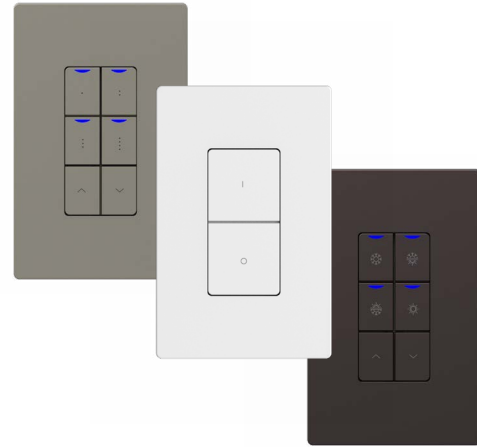
# NXSW2 Series

SPECIALTY WALL STATIONS

DATE:	LOCATION:
TYPE:	PROJECT:
CATALOG #:	

## FEATURES

- Provide out-of-box programming for plug-and-play operation with NX Communication bus
- Device configuration through NX Lighting Controls Mobile APP and NX Area Controller
- Clean, unobtrusive & enduring design
- Gang-able with other decorator type devices
- Digitally addressable
- Available in multiple colors
- Fire-year limited warranty



## SPECIFICATIONS

### CONSTRUCTION

- Housing: Rugged, injection molded plastic, Polyac FR-ABS, (UL-94 5VA) flame class rating
- Fully assembled, stocked Wall Stations sold in White or Gray
- Color packs (sold separately) include Black, Gray, Ivory, Light Almond, Red
- Wall Plates not included
- Weight - 2.4oz (68g)
- Housing Dimensions - 4.12" L (104.65mm) x 1.86" W (47.24mm) x 1.72" D (43.4mm)

### MOUNTING

- Single-gang NEMA-style switch box (standard switch box - max mounting height: 48")
- Decorator-style wall plate sold separately
- For installation with multi-gang Mud Rings please dry fit NXSW2 prior to installation to verify compatibility

### MOUNTING (CONTINUED)

Recommended multi-gang Mud Rings:

Raco 841	Cooper TP496
Raco 8778	Cooper TP488
Raco 780	Steel City 52-C-00
Raco 8781	Orbit 42075
Raco 877	Orbit 42058
Raco 8780SP	Fraser Oaks MR-12E
Cooper TP499	

### ELECTRICAL INPUT

- Input Voltage: 12-24VDC supplied by NX Actuator (not included)
- Power Consumption: 15mA
- NX PBU: 2

### PROGRAMMING INTERFACE

- NX Lighting Controls Mobile App
- NX Area Controller (NXAC2) for Network applications

### OPERATING ENVIRONMENT

- Rated for Indoor Use Only
- Operating temperature: 32° to 104°F (0° to 40°C)
- Relative humidity (non-condensing): 0 to 95%

### CERTIFICATIONS

- cULus Listed
- Complies with FCC Part 15
- This product meets federal procurement law requirements under the Buy American Act (FAR 52.225-9). See Buy America(n) Solutions.

### WARRANTY

- 5 year limited
- See website for additional information

## ORDERING GUIDE

Example: NXSW2-ORLO-WH

CATALOG #

NXSW2	WH	BAA*
Model	Switch Type	Color
NXSW2 NX Specialty Wall Station	<b>OO</b> On/Off <b>ORLO</b> On/Raise/Lower/Off <b>SS</b> Scene Switch <b>CCT</b> Color Control Switch	<b>WH</b> White <b>GY</b> Gray <b>Blank</b> Standard Product * See available Buy American Solutions to below

## COLOR PACK ORDERING GUIDE

Example: NXSW2-CPORLO-BK

CATALOG #

NXSW2	Color
Model	Switch Type
NXSW2	<b>CPOO</b> On/Off Color Pack <b>CPORLO</b> On/Off/Raise/Lower Color Pack <b>CPSS</b> Scene Switch Color Pack <b>CPCCT</b> Color Corrective Temp Color Pack
	<b>BK</b> Black <b>GY</b> Gray <b>IV</b> Ivory <b>LA</b> Light Almond <b>RD</b> Red <b>WH<sup>1</sup></b> White

Buy America Products	
BAA	
FAR 52.225-9	
NXSW2-SS-WH-U	NXSW2-ORLO-WH-U

Notes:

- <sup>1</sup> NXSW2 default is white. White Color Pack available to order as replacement.

# NXSW2 Series

SPECIALTY WALL STATIONS

## ORDERING GUIDE

### Cat5 Cable Ordering Guide

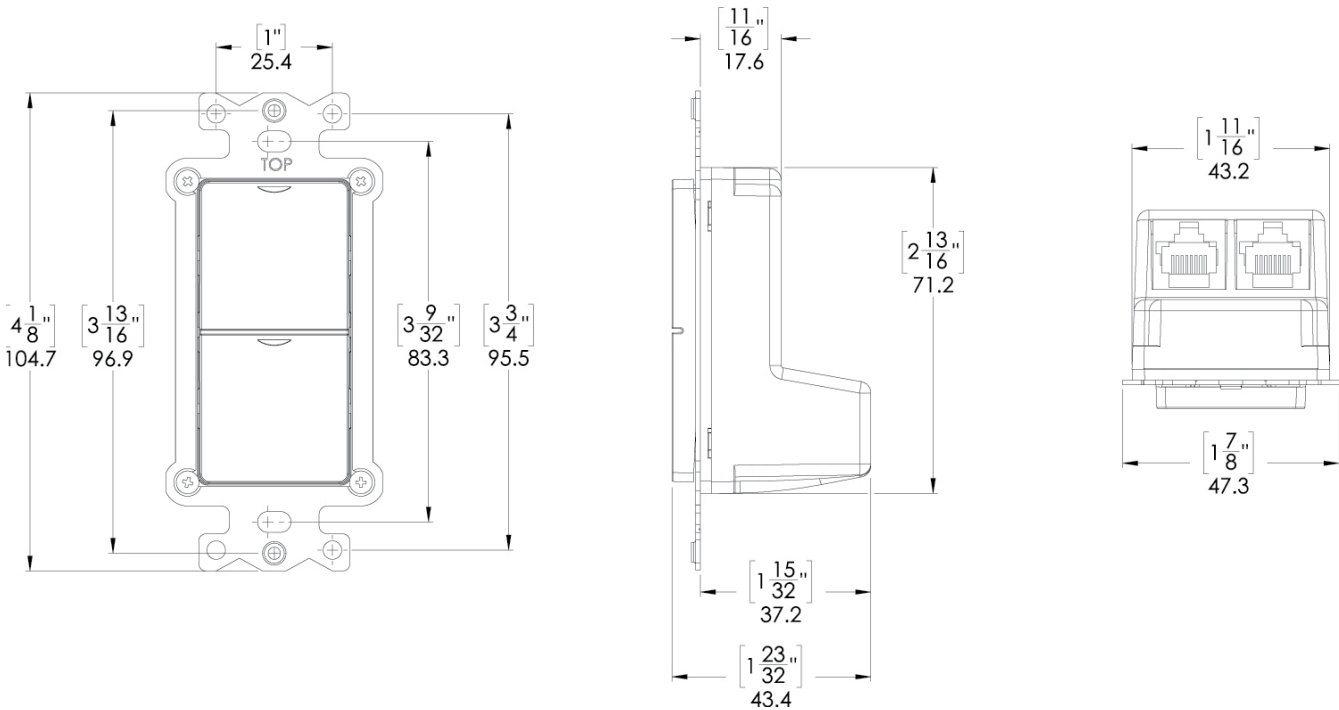
 CATALOG # 

Model/Description	
CAT5-3IN-OR-PLENUM	CAT5 Cable for NX SmartPORT™ Devices, Plenum Rated, 3in, Orange
CAT5-3F-OR-PLENUM	CAT5 Cable for NX SmartPORT Devices, Plenum Rated, 3ft, Orange
CAT5-10F-OR-PLENUM	CAT5 Cable for NX SmartPORT Devices, Plenum Rated, 10ft, Orange
CAT5-25F-OR-PLENUM	CAT5 Cable for NX SmartPORT Devices, Plenum Rated, 25ft, Orange
CAT5-50F-OR-PLENUM	CAT5 Cable for NX SmartPORT Devices, Plenum Rated, 50ft, Orange
CAT5-100F-OR-PLENUM	CAT5 Cable for NX SmartPORT Devices, Plenum Rated, 100ft, Orange



Cat5 Cable

## DIMENSIONS



# NXSW2 Series

SPECIALTY WALL STATIONS



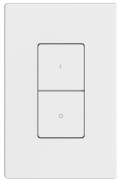
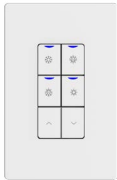
DATE: \_\_\_\_\_ LOCATION: \_\_\_\_\_

TYPE: \_\_\_\_\_ PROJECT: \_\_\_\_\_

CATALOG #: \_\_\_\_\_

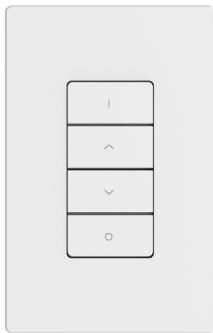
## ADDITIONAL INFORMATION

### Model Descriptions

MODEL	MODEL	MODEL	MODEL
<b>NXSW2-ORLO</b>		ON/Raise/Lower/OFF	Default configuration is to control all 16 groups. Use Manual Configuration or the App to limit the controlled groups. The ON button sends group ON to full dimming level. It can be configured to send a dimming level other than full. The OFF button sends group OFF to minimum dimming level. It can be configured to send a dimming level other than minimum.
<b>NXSW2-SS</b>		Scene Switch	Default configuration is to control all relays and dimmers in the connected room or area. The four preset buttons are factory set from 1 to 4 at 100%, 75%, 50%, and 25% dimming level with a 5 second fade time. All these settings can be changed using the App. The raise/lower buttons will increase or decrease the light level of all dimmed loads that are in the ON state. A single firm press and release of the lower button will turn off all lights controlled by the switch.
<b>NXSW2-OO</b>		ON/OFF Switch	Default configuration is to control relays and dimmers in all 16 groups. The ON button sends group ON to full level and the OFF button sends group OFF to minimum light level. Relay control is optional. These buttons cannot be configured for any other operation. Use Manual Configuration or the App to limit the number of groups controlled.
<b>NXSW2-CCT</b>		Color Control Switch	Default configuration is to control all relays and dimmers in the connected room or area. The four preset buttons are factory set from left to right at 6500K, 5200K, 4000K, and 2700K color temp level with a 5 second fade time. All these settings can be changed using the App. The raise/lower buttons will increase or decrease the color temp level of all dimmed loads that are in the ON state.

## COLOR OPTIONS

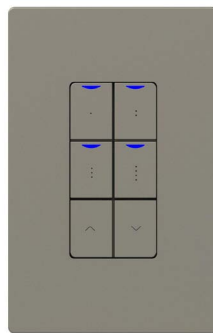
White provided standard. Black, Gray, Ivory, Light Almond,  
Red Supported through field installable Color Packs



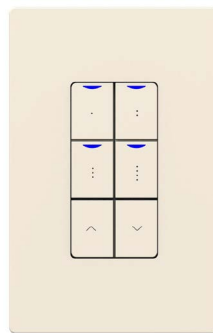
NXSW2-ORLO-WH



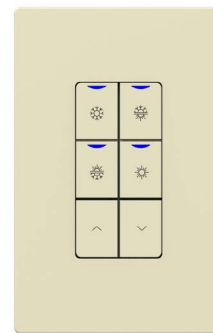
NXSW2-ORLO-WH  
NXSW2-CPORLO-BK



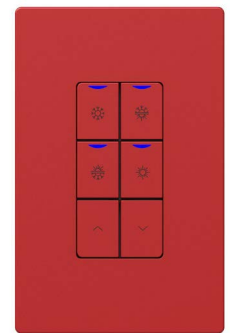
NXSW2-SS-WH  
NXSW2-CPSS-GY



NXSW2-SS-WH  
NXSW2-CPSS-IV



NXSW2-CCT-WH  
NXSW2-CPCCT-LA



NXSW2-CCT-WH  
NXSW2-CPCCT-RD

Fully assembled, stocked Wall Stations sold in White or Gray.  
Colors shown are from using Color Packs (sold separately).  
Wall Plates not included.

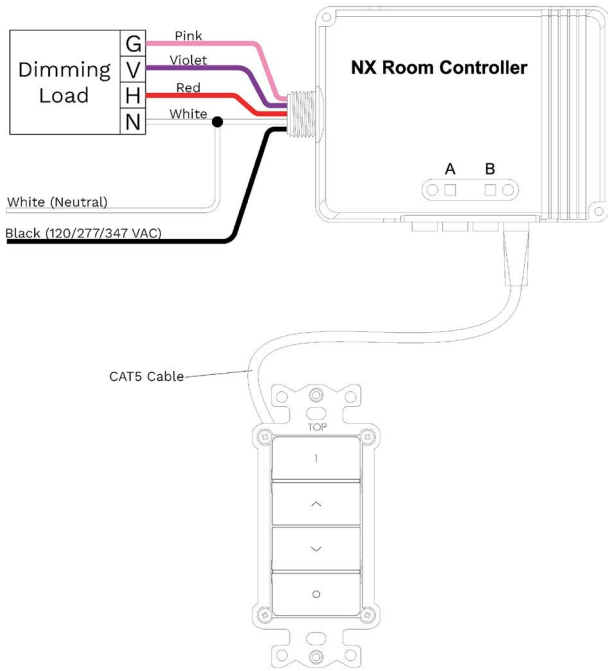
Please visit QR code to view  
Color Pack Installation video:



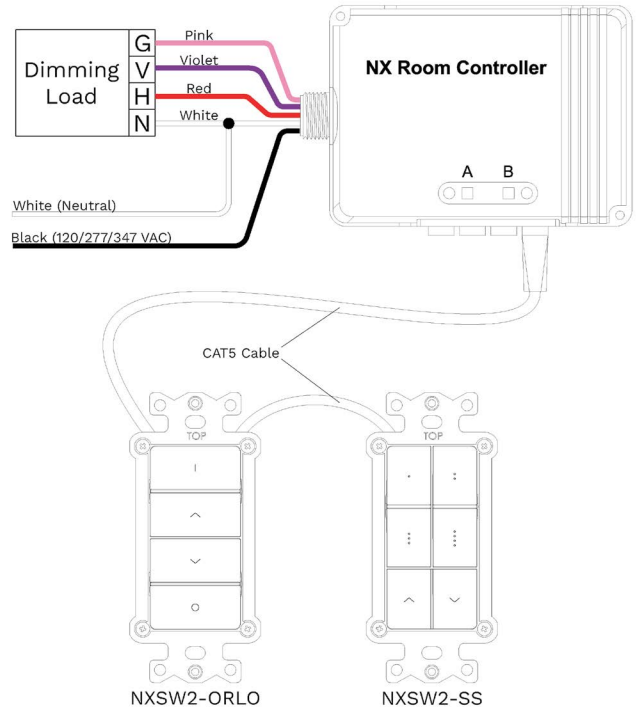
# NXSW2 Series

SPECIALTY WALL STATIONS

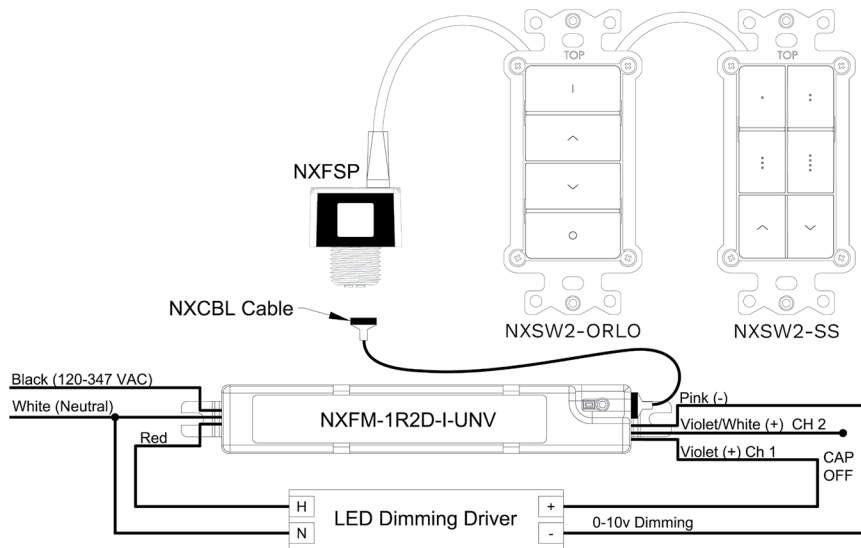
## ADDITIONAL INFORMATION (CONTINUED)



NXSW2 WALL STATION WITH NX ROOM CONTROLLER



MULTIPLE NXSW2 WALL STATIONS DAISY CHAINED WITH NX ROOM CONTROLLER

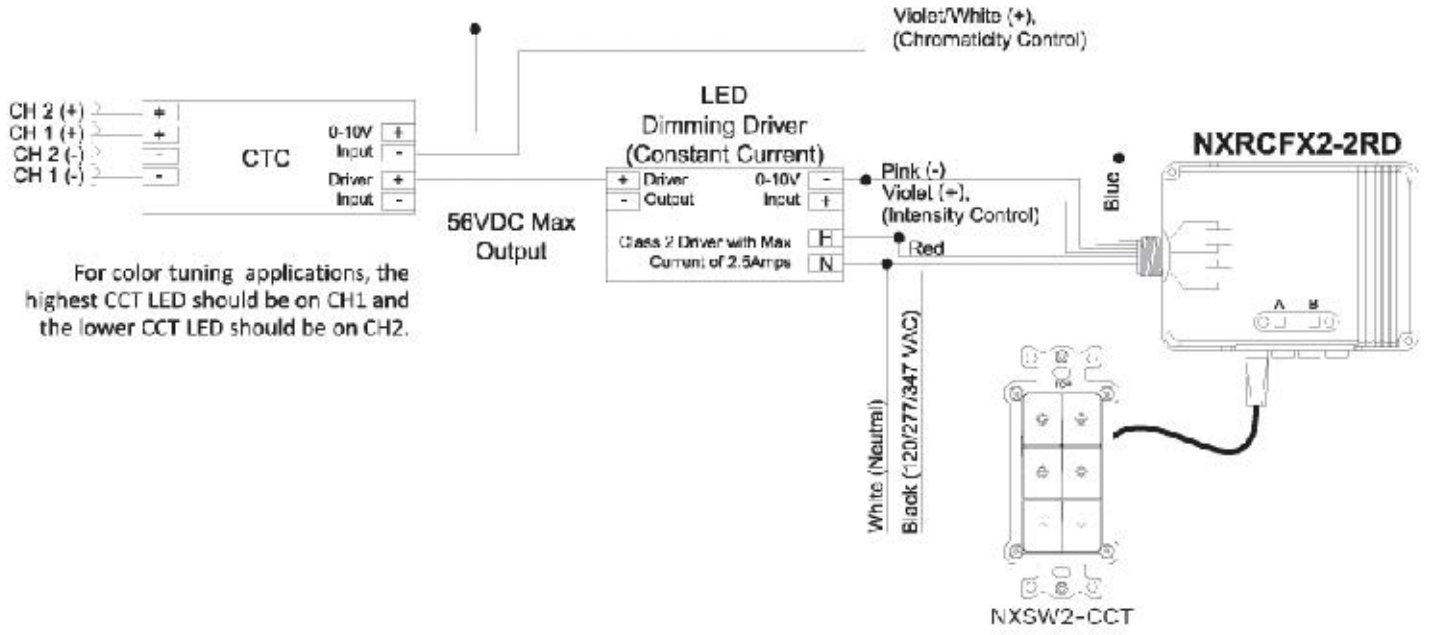


MULTIPLE NXSW2 WALL STATIONS DAISY CHAINED WITH NX ENABLED LUMINAIRE

# NXSW2 Series

SPECIALTY WALL STATIONS

## ADDITIONAL INFORMATION (CONTINUED)



**NXSW2-CCT Wall Station with Room Controller**