

---

# Product datasheet

## HALOSPOT 48 20 W 12 V 8° GY4

HALOSPOT 48 | Halogen spot lamps with 48 mm aluminum reflector

- General illumination Shops Restaurants, hotels and similar prestigious applications Offices, public buildings



- Brilliant accent light Cap for reduced glare and ease of handling Excellent distribution of light thanks to faceted reflector Approved for use in open luminaires (to IEC 60598-1) UV filter Drastically reduced thermal load in luminaire thanks to aluminum-coated reflector Contains no mercury



## Product datasheet

### Technical data

#### Electrical data

Nominal wattage	20.00 W
Nominal voltage	12 V
Rated wattage	20.00 W

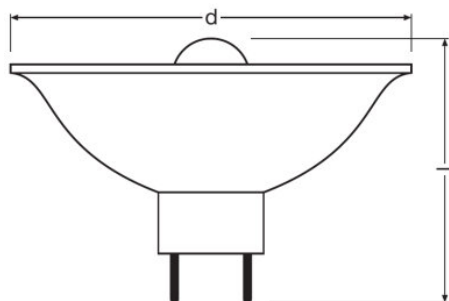
#### Photometrical data

Nominal useful luminous flux 90°	150 lm
Luminous intensity	3100 cd
Rated color temperature	2800 K
Light color (designation)	Warm White
Color rendering index Ra	100
Rated luminous flux	150 lm
Nominal luminous flux	150 lm
Rated useful luminous flux 90°	150 lm
Rated peak intensity	3100 cd
Color temperature	2800 K
Luminous flux	150 lm

#### Light technical data

Beam angle	8 °
Nominal beam angle	8.00 °
Starting time	0.0 s
Rated beam angle (half peak value)	8.00 °

#### Dimensions & weight



Diameter	48.0 mm
Length	38.0 mm

## Product datasheet

Overall length	36.0 mm
Outer bulb	T9
Product weight	10.70 g

### Lifespan

Rated lamp life time	4000 h
Number of switching cycles	100000

### Additional product data

Base (standard designation)	GY4
Mercury-free	Yes

### Capabilities

Burning position	Any
Dimmable	Yes

### Certificates & standards

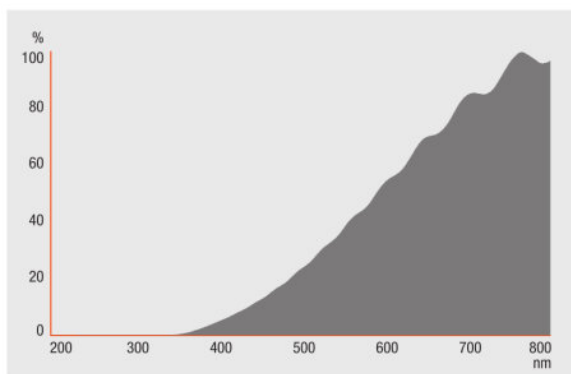
Energy efficiency class	G
Energy consumption	22 kWh/1000h

### Country specific categorizations

ILCOS	HMGS//UB-20-12-GY4-48/8
Order reference	41900 SP 20W 12

### Light Distribution

---



---

HAL\_UVS\_ALU

---

### Logistical Data

Product code	Product description	Packaging unit (Pieces/Unit)	Dimensions (length x width x height)	Volume	Gross weight
4050300003962	HALOSPOT 48 20 W 12 V 8° GY4	Shipping carton box 10 Pieces Folding carton box	231 mm x 69 mm x 96 mm	1.53 dm <sup>3</sup>	253.00 g

The mentioned product code describes the smallest quantity unit which can be ordered. One shipping unit can contain one or more single products. When placing an order, for the quantity please enter single or multiples of a shipping unit.

---

### References / Links

For light distribution curves see

▶ [www.osram.com](http://www.osram.com)

---

### Disclaimer

Subject to change without notice. Errors and omission excepted. Always make sure to use the most recent release.

OSRAM is distribution partner  
of LEDVANCE of LAMPS

**OSRAM**

OSRAM GmbH  
Marcel-Breuer-Strasse 6  
80807 Munich, Germany