

# OPTOTRONIC® Power Supply OT20W/24V/UNV- Technical Specifications



## GENERAL INFORMATION

Item Number	51804
Type	Constant Voltage
Output Power	20W (Max.)
Output Voltage	24V DC
Input	Universal (120-277V)

## ELECTRICAL SPECIFICATIONS

### Input

Input Voltage (VAC)	100V-277V (+/- 10%)
Frequency Range (Hz)	50 – 60 Hz (+/- 10%)
Input Current (A)	0.27 @ 120V 0.17 @ 277V
Input Power (W)	25W @ 120V
THD at Full load	< 10% @ 120V < 25% @ 277V
Power Factor	> 0.9
Inrush Current (A <sub>pk</sub> )	12A, 250µs @120V 27A, 250µs @277V
Stand-by Power (W)	< 1W

### Output

Output Voltage (VDC)	24V
Output Current (A)	0.1 – 0.85A
Output Power (W)	20W (max)
Output Ripple (V)	< 1V
Efficiency at Full load	>80%
Load Regulation	<5%
Line Regulation	< 1%
LED Power-up time	< 1 sec

### Protections

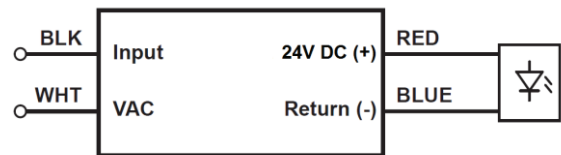
Oversvoltage Protection	Yes
Over current Protection	Yes
Short Circuit Protection	Yes
Over-temperature Protection	Yes, non- latched

## ENVIRONMENTAL SPECIFICATIONS

Ambient Operating Temp	-40 to 60 °C
Case Temperature (T <sub>c</sub> )	75°C* 90°C (max)
Max. Storage Temp.	80 °C
Max. Relative Humidity (%)	85% non-condensing
UL Environmental Rating	Damp
UL File number	E320395
IP Rating	IP54
EMI Compliance	FCC Part 15 Class B

\*- Warranty applicable only at 75°C

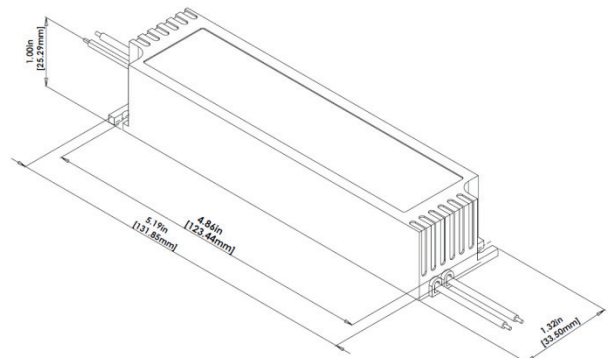
## WIRING DIAGRAM



Note: Mounting distance for 18 AWG wire is 15 feet. For additional information on further distances and EMI compliance reference application note LED126.

## MECHANICAL DIAGRAM

Length	5.19" (131.85mm)
Width	1.32" (33.5mm)
Height	1.00" (25.3mm)
Mounting length	4.86" (123.44mm)
Input and Output leads	300mm (red & blue)



## UL CONDITIONS OF ACCEPTABILITY (E320395)

- The LED driver had been considered ambient 60 degree C. If operated at a higher ambient temperature, it should be determined in end product.
- The suitability of enclosure shall be determined in the end product.
- The LED driver is intended for use in a dry and/or damp location. Other uses shall be considered in end product.
- The driver shall be installed in compliance with the enclosure, mounting, spacing, casualty, and segregation requirements of the end product application.
- The suitability of input and output leads shall be determined in end product.
- The driver is provided with isolated output.
- The necessity of repeated Leakage Current Test shall be determined in each end use application.

## WARRANTY

OPTOTRONIC® products are covered by our LED Module, OPTOTRONIC Power Supply or Control Warranty. For additional details, refer to the latest version of the warranty (LED089) available at [www.osram-america.com/optotronic](http://www.osram-america.com/optotronic).