

## Pulse Start Metal Halide

Catalog Number	Voltage	Wattage	Diagram
P350MLTAC4M500K	120/208/240/277	350	PC2
P350ML5AC4M500K	Multi-5	350	PC2
P350ML5AC4L500K	Multi-5	350	PC2
P35048TAC4L500K	480-120	350	PC2
P400MLTAC4L500K	120/208/240/277	400	PC2
P400ML5AC4M500K	Multi-5	400	PC2
P40048TAC4M500K	480-120	400	PC2
P450MLTAC4L500K	120/208/240/277	450	PC2

Catalog Number	Voltage	Wattage	Diagram
P450ML5AC4M500K	Multi-5	450	PC2
P45048TAC4M500K	480-120	450	PC2
P750MLTAC5M500K	120/208/240/277	750	PC3
P750ML5AC5M500K	Multi-5	750	PC3
P75048TAC5M500K	480-120	750	PC3
P875MLTAC5M500K	120/208/240/277	875	PC3
P1000MLTAC5M500K	120/208/240/277	1000	PC3
P1000ML5AC5M500K	Multi-5	1000	PC3

## High Pressure Sodium

Catalog Number	Voltage	Wattage	Diagram
S50MLTLC3M500K	120/208/240/277	50	PC1
S70MLTLC3M500K	120/208/240/277	70	PC1
S7048TLC3M500K	480-120	70	PC1
S100MLTLC3M500K	120/208/240/277	100	PC1
S10048TLC3M500K	480-120	100	PC1
S150MLTLC3M500K	120/208/240/277	150	PC1
S15048TLC3M500K	480-120	150	PC1
S200MLTAC4M500K	120/208/240/277	200	PC2
S20048TAC4M500K	480-120	200	PC2
S250ML5AC4M500K	Multi-5	250	PC2
S250MLTAC4M500K	120/208/240/277	250	PC2

Catalog Number	Voltage	Wattage	Diagram
S25048TAC4M500K	480-120	250	PC2
S400ML5AC4M500K	Multi-5	400	PC2
S400MLTAC4M500K	120/208/240/277	400	PC2
S400ML5AC5M500K	480-120	400	PC3
S400ML5AC5M500K	Multi-5	400	PC3
S400MLTAC5M500K	120/208/240/277	400	PC3
S40048TAC5M500K	480-120	400	PC3
S600MLTAC5M500K	120/208/240/277	600	PC3
S1000MLTAC5M500K	120/208/240/277	1000	PC3
S1000ML5AC5M500K	Multi-5	1000	PC3
S100048TAC5M500K	480-120	1000	PC3



## F-Can Ballasts

Universal's F-Can ballasts are ideal for indoor applications where quiet operation is essential.

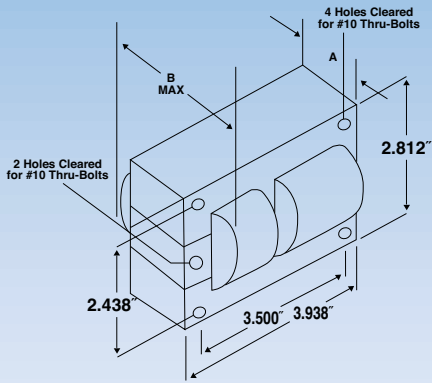
- All components are enclosed in a fluorescent-style ballast and are thermally protected.
- UL and CSA listed.
- Available with 120V/277V taps and 120V/347V taps.

## Metal Halide

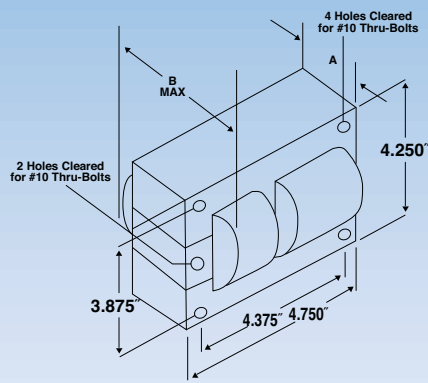
Catalog Number	Voltage	Wattage	Overall Length	Case Length	Mount Dim
1110-245SC-TC	175	120 or 277	14.32	13.19	13.75
1110-564C-TC	175	120 or 347	11.75	10.55	11.10
1110-246C-TC	250	120 or 277	16.75	15.57	16.13
1111-246C-TC	250	120 or 277	11.75	10.55	11.10
1110-566C-TC	250	120 or 347	16.65	15.55	16.10
1110-247SC-TC	400	120 or 277	19.25	18.06	18.63
1111-247SC-TC	400	120 or 277	14.31	13.19	13.75
1110-568C-TC	400	120 or 347	19.25	18.05	18.60

## Reference Diagrams

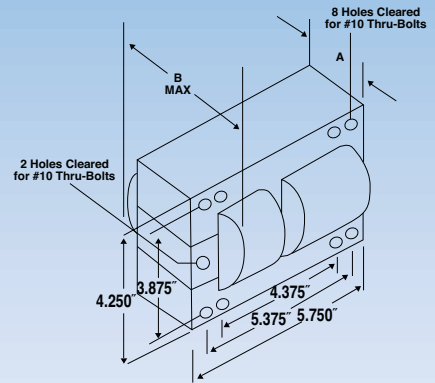
**PC1**



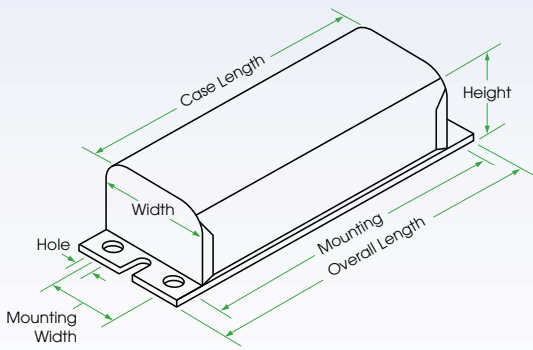
**PC2**



**PC3**



**F-Can**



## Lamp Data for Multi-5 Uni-Pak

Wattage	Description	Bulb	Base	Color	CRI
175W MH	MVR175/U	ED28	Mogul	4000	65
250W MH	MVR250/U	ED28	Mogul	4200	65
400W MH	MVR400/U	ED37	Mogul	4000	65
1000W MH	MVR1000/U	BT56	Mogul	4000	65
250W HPS	LU250	ED18	Mogul	2100	22
400W HPS	LU400	ED18	Mogul	2100	22
1000W HPS	LU1000	E25	Mogul	2100	22

**ED18**

**ED28**

**ED37**

**BT56**

**E25**

