

# LEDVANCE Luminaires

## EDGE-LIT PANEL



### Product Features

The Edge-Lit Panels are environmentally preferable LED alternatives to traditional fluorescent luminaires, offering up to 47% in energy savings. Ideal in place of traditional luminaires, or as new installations, the Edge-Lit Panels are offered in three sizes for illuminating offices, retail or hospitality areas.

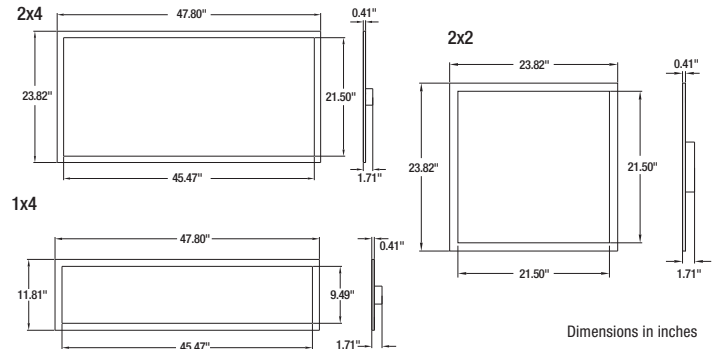
The slim design of these luminaires is beneficial for installation in tight ceilings spaces and they offer low glare and uniform illumination. LEDVANCE luminaires assure optimum light engine performance for extended service and rated life ( $\geq 50,000$  hours  $L_{70}$ ).

### Wattage Comparison Chart

Edge-Lit Panel Size	Traditional Source	Traditional System Wattage	LED System Wattage	Energy Savings
1x4	2x28W T8	49	32	35%
	2x32W T8	56	32	43%
2x2	3x17W T8	48	32	33%
	2U31 T8	56	32	43%
2x4	2x28W T8	49	32	35%
	2x32W T8	56	32	43%
	3x28W T8	58	40	31%
	3x32W T8	75	40	47%

Catalog #	Type
Project	
Notes	
Date	
Prepared by	

### Dimensions



### Specifications

**Weight:** 1x4 & 2x2: 7.96lbs (3.6 kg); 2x4: 14.33lbs (6.5 kg)

**Construction:** Extruded aluminum frame with sheet metal back plate and PMMA diffused flat lens. The standard color is white.

**LED System:** LED system with a life rating of  $\geq 50,000$  hours at  $L_{70}$  @ 25°C. Luminaire efficacy up to 112 LPW.

**Electrical:** Offered in 32 and 40 Watts, the luminaire is designed to operate through the 120-277 VAC universal voltage range. The LED driver is a constant current device. The power factor is  $\geq 90\%$  and THD is  $\leq 20\%$ .

**Dimming:** The driver is 0-10V dimmable (down to 10%). Please reference the dimmer compatibility document (LEDLUM012).

**Color Characteristics:** CRI  $> 80$ ; CCT of 3500K or 4000K.

**Optics:** White flat edge-lit PMMA diffuser lens.

**Installation:** Luminaire lays in standard 15/16" T-grid.

**Operating Temperature:** -4°F to +104°F (-20°C to +40°C);  
EM: +32°F to +104°F (0°C to +40°C).

**Listings:** cETLus listed to UL1598 standards.

**Warranty:** Standard 5-year luminaire warranty (LEDLUM002).

**Note:** Specifications subject to change without notice. IES files available online.



### Ordering Guide

Item Number:

PANELF	1A	/	XXX	XXX	D	8	XX	/	XX	G	/	WH	/	X
Product Name	Generation		Wattage	Voltage	Dimming	CRI	Color Temp (CCT)		Dimension	Mounting		Color/Finish		Option
PANELF	1A		032 = 32 Watts 040 = 40 Watts*	UNV = 120-277V	D = 0-10V	8 = >80	35 = 3500K 40 = 4000K		14 = 1x4 22 = 2x2 24 = 2x4	G = Grid		WH = White		Blank = No Option E = Emergency

\*Only available in 2x4 size



## Photometric Data

Average Illuminance (FC) at 30" AFF and avg/min uniformity  
80/50/20 Reflectances

			8 ft Mounting Height			10 ft Mounting Height			12 ft Mounting Height		
			On Center Fixture Spacing			On Center Fixture Spacing			On Center Fixture Spacing		
			8'x10'	10'x10'	10'x12'	8'x10'	10'x10'	10'x12'	8'x10'	10'x10'	10'x12'
1'x4'	32W	PANELF1A/032UNVD835/14G/WH	44fc / 3.2	36fc / 2.9	32fc / 2.0	43fc / 2.7	35fc / 2.4	31fc / 1.8	42fc / 2.5	34fc / 2.3	31fc / 1.8
		PANELF1A/032UNVD835/14G/WH/E									
		PANELF1A/032UNVD840/14G/WH									
		PANELF1A/032UNVD840/14G/WH/E									
2'x2'	32W	PANELF1A/032UNVD835/22G/WH	47fc / 3.2	39fc / 2.9	35fc / 2.0	46fc / 2.7	38fc / 2.4	33fc / 1.8	44fc / 2.4	37fc / 2.3	33fc / 1.8
		PANELF1A/032UNVD835/22G/WH/E									
		PANELF1A/032UNVD840/22G/WH									
		PANELF1A/032UNVD840/22G/WH/E									
2'x4'	32W	PANELF1A/032UNVD835/24G/WH**	44fc / 3.3	36fc / 2.8	32fc / 2.0	43fc / 2.7	35fc / 2.4	31fc / 1.8	42fc / 2.5	34fc / 2.3	31fc / 1.7
		PANELF1A/032UNVD835/24G/WH/E**									
		PANELF1A/032UNVD840/24G/WH									
		PANELF1A/032UNVD840/24G/WH/E									
	40W	PANELF1A/040UNVD835/24G/WH	62fc / 3.3	51 fc / 2.8	46fc / 2.0	60fc / 2.7	50fc / 2.4	44fc / 1.8	59fc / 2.5	48fc / 2.3	43fc / 1.7
		PANELF1A/040UNVD835/24G/WH/E									
		PANELF1A/040UNVD840/24G/WH									
		PANELF1A/040UNVD840/24G/WH/E									

\*\* derated lumens to obtain fc levels

## Compatibility

PANELF1A fixtures have been tested to perform properly with the following dimmers:

- Leviton DS710
- Leviton IP710-LFZ

## Ordering Information

Item Number	Ordering Abbreviation	Power (W)	Input Voltage	Dimming	CRI	Color Temp (CCT)	Size	Total Fixture Lumens	LPW*	Options
74243	PANELF1A/032UNVD835/14G/WH	32	120-277	0-10V	>80	3500K	1x4	3600	112	
74245	PANELF1A/032UNVD835/14G/WH/E	32	120-277	0-10V	>80	3500K	1x4	3600	112	Emergency
74244	PANELF1A/032UNVD840/14G/WH	32	120-277	0-10V	>80	4000K	1x4	3600	112	
74246	PANELF1A/032UNVD840/14G/WH/E	32	120-277	0-10V	>80	4000K	1x4	3600	112	Emergency
74251	PANELF1A/032UNVD835/22G/WH	32	120-277	0-10V	>80	3500K	2x2	3600	112	
74253	PANELF1A/032UNVD835/22G/WH/E	32	120-277	0-10V	>80	3500K	2x2	3600	112	Emergency
74252	PANELF1A/032UNVD840/22G/WH	32	120-277	0-10V	>80	4000K	2x2	3600	112	
74254	PANELF1A/032UNVD840/22G/WH/E	32	120-277	0-10V	>80	4000K	2x2	3600	112	Emergency
74247	PANELF1A/032UNVD835/24G/WH	32	120-277	0-10V	>80	3500K	2x4	3600	112	
74239	PANELF1A/032UNVD835/24G/WH/E	32	120-277	0-10V	>80	3500K	2x4	3600	112	Emergency
74248	PANELF1A/032UNVD840/24G/WH	32	120-277	0-10V	>80	4000K	2x4	3600	112	
74240	PANELF1A/032UNVD840/24G/WH/E	32	120-277	0-10V	>80	4000K	2x4	3600	112	Emergency
74249	PANELF1A/040UNVD835/24G/WH	40	120-277	0-10V	>80	3500K	2x4	4500	112	
74241	PANELF1A/040UNVD835/24G/WH/E	40	120-277	0-10V	>80	3500K	2x4	4500	112	Emergency
74250	PANELF1A/040UNVD840/24G/WH	40	120-277	0-10V	>80	4000K	2x4	4500	112	
74242	PANELF1A/040UNVD840/24G/WH/E	40	120-277	0-10V	>80	4000K	2x4	4500	112	Emergency