

# SYLVANIA Luminaires

## Edge-Lit Panel



### Product Features

The Edge-Lit Panels are environmentally preferable LED alternatives to traditional fluorescent luminaires, offering up to 47% in energy savings. Ideal in place of traditional luminaires, or as new installations, the Edge-Lit Panels are offered in three sizes for illuminating offices, retail or hospitality areas.

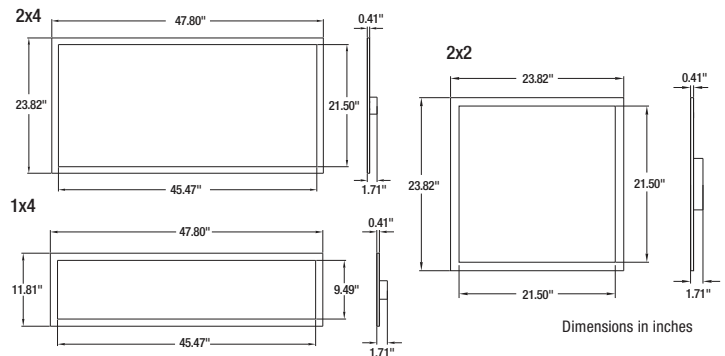
The slim design of these luminaires is beneficial for installation in tight ceilings spaces and they offer low glare and uniform illumination. SYLVANIA luminaires assure optimum light engine performance for extended service and rated life ( $\geq 50,000$  hours  $L_{70}$ ).

### Wattage Comparison Chart

Edge-Lit Panel Size	Traditional Source	Traditional System Wattage	LED System Wattage	Energy Savings
1x4	2x28W T8	49	32	35%
	2x32W T8	56	32	43%
2x2	3x17W T8	48	32	33%
	2U31 T8	56	32	43%
2x4	2x28W T8	49	32	35%
	2x32W T8	56	32	43%
	3x28W T8	58	40	31%
	3x32W T8	75	40	47%

Catalog #	Type
Project	
Notes	
Date	
Prepared by	

### Dimensions



### Specifications

- Weight:** 1x4 & 2x2: 7.96lbs (3.6 kg) Standard    2x4: 14.33lbs (6.5 kg) Standard  
1x4 & 2x2: 10.14lbs (4.6 kg) Emergency    2x4: 16.54lbs (7.5 kg) Emergency
- Construction:** Extruded aluminum frame with sheet metal back plate, earthquake clips and diffused flat lens. The standard color is white.
- LED System:** LED system with a life rating of  $\geq 50,000$  hours at  $L_{70}$  @ 25°C. Luminaire efficacy up to 114 LPW.
- Electrical:** Offered in 32 and 40 Watts, the luminaire is designed to operate through the 120-277 V<sub>AC</sub> universal voltage range. The LED driver has a 0.5kV inherent surge suppression and is a constant current device. The power factor is  $\geq 90\%$  and THD is  $\leq 20\%$ .
- Dimming:** The driver is 0-10V dimmable (down to 10%). Please reference the dimmer compatibility document (LEDLUM012).
- Color Characteristics:** CRI $>80$ ; CCT of 3500K, 4000K or 5000K.
- Optics:** White flat edge-lit PMMA diffuser lens.
- Options Available:** Emergency Battery Backup.
- Installation:** Luminaire lays in standard 15/16" and 9/16" T-grid ceilings.
- Operating Temperature:** -4°F to +104°F (-20°C to +40°C); EM: +32°F to +104°F (0°C to +40°C).
- Listings:** cETLus listed to UL1598 standards, IC and damp rated.
- Note:** Suitable for use in closets, compliant with NFPA 70, NEC section 410.16 (A)(3) and 410.16 (C)(5).
- Warranty:** Standard 5-year luminaire warranty (LEDLUM001).
- Note:** Specifications subject to change without notice. IES files available online.



\*\*DLC not applicable to emergency versions

### Ordering Guide

Item Number:

PANELF	1A	/	XXX	XXX	D	8	XX	/	XX	G	/	WH	/	X
Product Name	Generation		Wattage	Voltage	Dimming	CRI	Color Temp (CCT)		Dimension	Mounting		Color/Finish		Option
PANELF	1A		032 = 32 Watts 040 = 40 Watts*	UNV = 120-277V	D = 0-10V	$8 \geq 80$	35 = 3500K 40 = 4000K 50 = 5000K		14 = 1x4 22 = 2x2 24 = 2x4	G = Grid		WH = White		Blank = No Option E = Emergency

\*Only available in 2x4 size.



## Photometric Data

Average Illuminance (FC) at 30" AFF and avg/min uniformity  
80/50/20 Reflectances

			8 ft Mounting Height			10 ft Mounting Height			12 ft Mounting Height		
			On Center Fixture Spacing			On Center Fixture Spacing			On Center Fixture Spacing		
			8'x10'	10'x10'	10'x12'	8'x10'	10'x10'	10'x12'	8'x10'	10'x10'	10'x12'
1'x4'	32W	PANELF1A/032UNVD835/14G/WH	44fc/3.2	36fc/2.9	32fc/2.0	43fc/2.7	35fc/2.4	31fc/1.8	42fc/2.5	34fc/2.3	31fc/1.8
		PANELF1A/032UNVD840/14G/WH									
2'x2'	32W	PANELF1A/032UNVD835/22G/WH	47fc/3.2	39fc/2.9	35fc/2.0	46fc/2.7	38fc/2.4	33fc/1.8	44fc/2.4	37fc/2.3	33fc/1.8
		PANELF1A/032UNVD840/22G/WH									
2'x4'	32W	PANELF1A/032UNVD835/24G/WH	44fc/3.3	36fc/2.8	32fc/2.0	43fc/2.7	35fc/2.4	31fc/1.8	42fc/2.5	34fc/2.3	31fc/1.7
		PANELF1A/032UNVD840/24G/WH									
	40W	PANELF1A/040UNVD835/24G/WH	62fc/3.3	51 fc /2.8	46fc/2.0	60fc/2.7	50fc/2.4	44fc/1.8	59fc/2.5	48fc/2.3	43fc/1.7
		PANELF1A/040UNVD840/24G/WH									

\*Table also applicable to emergency versions.

## Ordering Information

Item Number	Ordering Abbreviation	Power (W)	Input Voltage	Dimming	CRI	Color Temp (CCT)	Size	Total Fixture Lumens	LPW*	DLC**	Options	Case Qty
74243†	PANELF1A/032UNVD835/14G/WH	32	120-277V	0-10V	>80	3500K	1x4	3200	102	–	–	5
61600	PANELF1A/032UNVD835/14G/WH	32	120-277V	0-10V	>80	3500K	1x4	3200	102	–	–	6
74244†	PANELF1A/032UNVD840/14G/WH	32	120-277V	0-10V	>80	4000K	1x4	3300	104	–	–	5
61601	PANELF1A/032UNVD840/14G/WH	32	120-277V	0-10V	>80	4000K	1x4	3300	104	–	–	6
74938†	PANELF1A/032UNVD850/14G/WH	32	120-277V	0-10V	>80	5000K	1x4	3500	110	Std	–	5
61602	PANELF1A/032UNVD850/14G/WH	32	120-277V	0-10V	>80	5000K	1x4	3500	110	Std	–	6
74251†	PANELF1A/032UNVD835/22G/WH	32	120-277V	0-10V	>80	3500K	2x2	3500	110	Std	–	5
61596	PANELF1A/032UNVD835/22G/WH	32	120-277V	0-10V	>80	3500K	2x2	3500	110	Std	–	6
74252†	PANELF1A/032UNVD840/22G/WH	32	120-277V	0-10V	>80	4000K	2x2	3500	110	Std	–	5
61597	PANELF1A/032UNVD840/22G/WH	32	120-277V	0-10V	>80	4000K	2x2	3500	110	Std	–	6
74797†	PANELF1A/032UNVD850/22G/WH	32	120-277V	0-10V	>80	5000K	2x2	3500	114	Std	–	5
61598	PANELF1A/032UNVD850/22G/WH	32	120-277V	0-10V	>80	5000K	2x2	3500	114	Std	–	6
74247†	PANELF1A/032UNVD835/24G/WH	32	120-277V	0-10V	>80	3500K	2x4	3300	104	–	–	3
61591	PANELF1A/032UNVD835/24G/WH	32	120-277V	0-10V	>80	3500K	2x4	3300	104	–	–	4
74248†	PANELF1A/032UNVD840/24G/WH	32	120-277V	0-10V	>80	4000K	2x4	3300	104	Std	–	3
61592	PANELF1A/032UNVD840/24G/WH	32	120-277V	0-10V	>80	4000K	2x4	3300	104	Std	–	4
74935†	PANELF1A/032UNVD850/24G/WH	32	120-277V	0-10V	>80	5000K	2x4	3500	112	Std	–	3
61593	PANELF1A/032UNVD850/24G/WH	32	120-277V	0-10V	>80	5000K	2x4	3500	112	Std	–	4
74249†	PANELF1A/040UNVD835/24G/WH	40	120-277V	0-10V	>80	3500K	2x4	4200	109	Std	–	3
61594	PANELF1A/040UNVD835/24G/WH	40	120-277V	0-10V	>80	3500K	2x4	4200	109	Std	–	4
74250†	PANELF1A/040UNVD840/24G/WH	40	120-277V	0-10V	>80	4000K	2x4	4200	110	Std	–	3
61599	PANELF1A/040UNVD840/24G/WH	40	120-277V	0-10V	>80	4000K	2x4	4200	110	Std	–	4
74934†	PANELF1A/040UNVD850/24G/WH	40	120-277V	0-10V	>80	5000K	2x4	4300	113	Std	–	3
61595	PANELF1A/040UNVD850/24G/WH	40	120-277V	0-10V	>80	5000K	2x4	4300	113	Std	–	4
74245	PANELF1A/032UNVD835/14G/WH/E	32	120-277V	0-10V	>80	3500K	1x4	3200	102	–	Emergency Battery Backup	5
74246	PANELF1A/032UNVD840/14G/WH/E	32	120-277V	0-10V	>80	4000K	1x4	3300	104	–	Emergency Battery Backup	5
74939	PANELF1A/032UNVD850/14G/WH/E	32	120-277V	0-10V	>80	5000K	1x4	3500	110	–	Emergency Battery Backup	5
74253	PANELF1A/032UNVD835/22G/WH/E	32	120-277V	0-10V	>80	3500K	2x2	3500	110	–	Emergency Battery Backup	5
74254	PANELF1A/032UNVD840/22G/WH/E	32	120-277V	0-10V	>80	4000K	2x2	3500	110	–	Emergency Battery Backup	5
74798	PANELF1A/032UNVD850/22G/WH/E	32	120-277V	0-10V	>80	5000K	2x2	3500	114	–	Emergency Battery Backup	5
74239	PANELF1A/032UNVD835/24G/WH/E	32	120-277V	0-10V	>80	3500K	2x4	3300	104	–	Emergency Battery Backup	3
74240	PANELF1A/032UNVD840/24G/WH/E	32	120-277V	0-10V	>80	4000K	2x4	3300	104	–	Emergency Battery Backup	3
74937	PANELF1A/032UNVD850/24G/WH/E	32	120-277V	0-10V	>80	5000K	2x4	3500	112	–	Emergency Battery Backup	3
74241	PANELF1A/040UNVD835/24G/WH/E	40	120-277V	0-10V	>80	3500K	2x4	4200	109	–	Emergency Battery Backup	3
74242	PANELF1A/040UNVD840/24G/WH/E	40	120-277V	0-10V	>80	4000K	2x4	4200	110	–	Emergency Battery Backup	3
74936	PANELF1A/040UNVD850/24G/WH/E	40	120-277V	0-10V	>80	5000K	2x4	4300	113	–	Emergency Battery Backup	3

\*LPW per LM79 report.

\*\*Std for DLC Standard.

†Indicates that the product is discontinued with inventory.

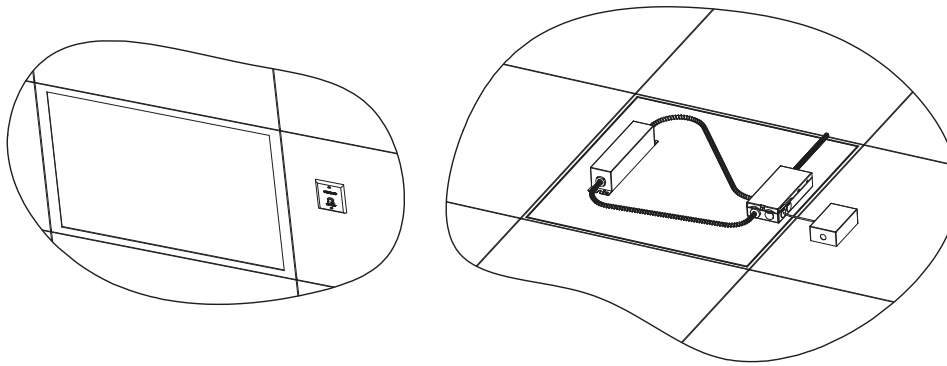
For further information and to learn more about utility rebates, contact your local SYLVANIA sales representative.

## Options Information

### Emergency Battery Backup:

Activates when normal power supply to the fixture fails, providing a minimum of 650 lumens (700 nominal lumens) for at least 90 minutes.

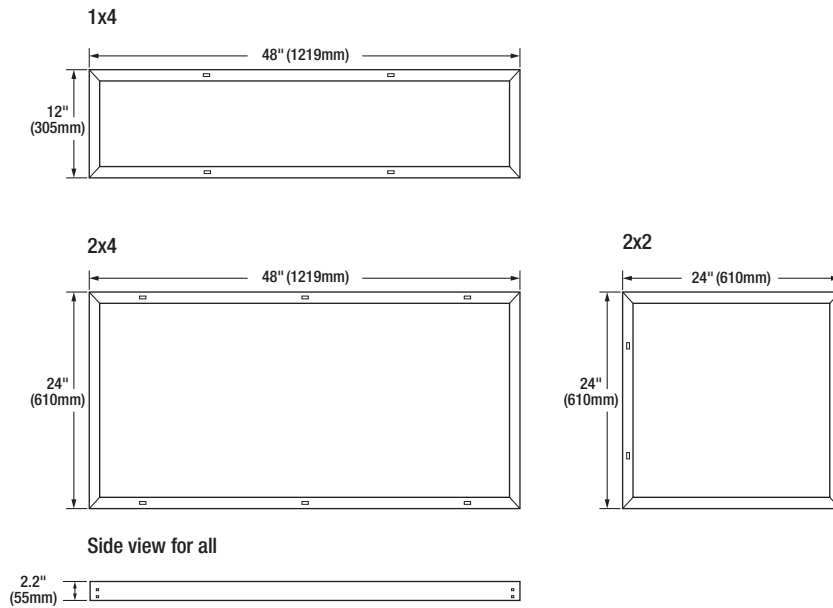
## Location of Emergency Test Switch



## Accessories and Replacement Parts

Item Number	Ordering Abbreviation	Item Description
70132	SMKIT1A/14A/WH	1x4 Surface Mount Kit, White Finish
70380	SMKIT1A/22A/WH	2x2 Surface Mount Kit, White Finish
70381	SMKIT1A/24A/WH	2x4 Surface Mount Kit, White Finish
60457	FK1A14GWH	1x4 Flange Kit, White Finish
60458	FK1A22GWH	2x2 Flange Kit, White Finish
60459	FK1A24GWH	2x4 Flange Kit, White Finish

\*Please see Surface Mount Kit installation manual for instructions (not compatible with emergency battery back-up versions).



LEDVANCE LLC  
200 Ballardvale Street  
Wilmington, MA 01887 USA  
Phone 1-800-LIGHTBULB (1-800-544-4828)  
www.sylvania.com

SYLVANIA and LEDVANCE are registered trademarks.  
All other trademarks are those of their respective owners.  
Product Licensee of Trademark SYLVANIA in General Lighting.  
Specifications subject to change without notice.

/sylvania /sylvania

