

LEDVANCE Luminaires

BACKLIT DUAL SELECTABLE AND LOW WATTAGE PANEL

PERFORMANCE CLASS

Application

The LEDVANCE Backlit Panels are the high efficiency solution for offices, schools, hospitality and retail areas.

Benefits and Features

- Backlit technology that offers even lighting distribution without shadowing
- Color selectability allows for changing between 3500K, 4000K or 5000K
- Wattage/Lumen selectable versions: three different lumen outputs in the same product
- Low wattage versions for energy efficiency projects
- DLC Premium Listed to maximize rebate opportunities
- EM ready – compatible with the SYLVANIA field installable emergency battery back-up unit (see Accessories for further details)
- Up to 125 lumens per watt
- PMMA lenses that do not yellow over time
- CRI >80
- Energy savings up to 68%

Electrical

- 120-277VAC and 120-347VAC
- Power Factor >0.9
- THD <20%
- 0-10V dimmable

Rated Life

- 50,000 hours (L₇₀)

Warranty

- 5-year
- NLB Trusted Warranty Program

Operating Temperature

- -4°F to +122°F (-20°C to +50°C)

Certifications and Listings

- cETLus
- RoHS
- FCC
- TAA
- IC Rated
- DLC Premium
- Damp Rated



Wattage Comparison

| Panel Size | Traditional Source | Traditional System Wattage | LED System Wattage | Energy Savings |
|------------|--------------------|----------------------------|--------------------|----------------|
| 1x4 | 2x28W T8 | 49 | 30 | 39% |
| | 2x32W T8 | 56 | 30 | 46% |
| 2x2 | 3x17W T8 | 48 | 30 | 38% |
| | 2xU31W T8 | 56 | 30 | 46% |
| 2x4 | 2xU31W T8 | 56 | 18 | 68% |
| | 2x28W T8 | 49 | 30 | 39% |
| | 2x32W T8 | 56 | 30 | 46% |
| | 2x32W T8 | 56 | 40 | 29% |
| | 4x28W T8 | 97 | 40 | 59% |
| | 3x32W T8 | 75 | 24 | 68% |
| | 4x32W T8 | 116 | 40 | 66% |

Warranty

- 5-year
- NLB Trusted Warranty Program



Specification Data

| | |
|-------------|------|
| Catalog # | Type |
| Project | |
| Comments | |
| Prepared by | |

Ordering Guide

| PANELF | XB | SXXX | XXX | D | 8 | SC7 | XX | G | WH | / TAA |
|--------------|------------|------------------------|----------|-----------|---------|------------------------|----------------------|----------|----------------|-----------|
| Product Name | Generation | S = Selectable Wattage | Voltage | Dimming | CRI | Color Temp | Dimensions | Mounting | Color / Finish | Other |
| PANELF = | 3B, 4B | 036 = 20/30/36 Watts | UNV = | D = 0-10V | 8 = >80 | SC7 = Selectable | 14 = 1x4 | G = Grid | WH = White | TAA = TAA |
| LED Panel | | 050 = 30/40/50 Watts | 120-277V | dimming | | 3500K, 4000K and 5000K | 22 = 2x2 24 = 2x4 | | | Compliant |
| | | 018 = 18 Watts | UNH = | | | | | | | |
| | | 024 = 24 Watts | 120-347V | | | | | | | |

Ordering Information

| Item Number | Ordering Abbreviation | Power (W) | Total Fixture Lumens | Input Voltage (V) | Dimming | CRI | Color Temp | Efficiency (LPW) | Size | DLC |
|-------------|-------------------------------|-----------|----------------------|-------------------|---------|-----|-----------------|------------------|------|---------|
| 62700 | PANELF3B018UNVD8SC714GWH/TAA | 18 | 2400 | 120-277V | 0-10V | 80 | 3500/4000/5000K | 125 | 1x4 | Premium |
| 62702 | PANELF3B018UNVD8SC722GWH/TAA | 18 | 2400 | 120-277V | 0-10V | 80 | 3500/4000/5000K | 125 | 2x2 | Premium |
| 62701 | PANELF3B024UNVD8SC724GWH/TAA | 24 | 3200 | 120-277V | 0-10V | 80 | 3500/4000/5000K | 125 | 2x4 | Premium |
| 62703 | PANELF4BS036UNHD8SC714GWH/TAA | 20/30/36 | 2500/3750/4500 | 120-347V | 0-10V | 80 | 3500/4000/5000K | 125 | 1x4 | Premium |
| 62704 | PANELF4BS036UNHD8SC722GWH/TAA | 20/30/36 | 2500/3750/4500 | 120-347V | 0-10V | 80 | 3500/4000/5000K | 125 | 2x2 | Premium |
| 62705 | PANELF4BS050UNHD8SC724GWH/TAA | 30/40/50 | 3750/5000/6250 | 120-347V | 0-10V | 80 | 3500/4000/5000K | 125 | 2x4 | Premium |

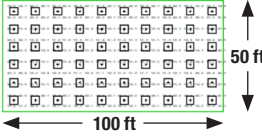
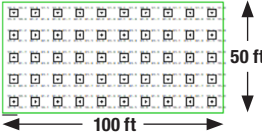
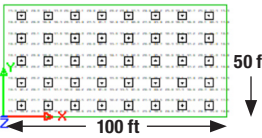
Dimmer Compatibility

| Brand | Type | Model |
|---------|-------|----------|
| Leviton | 0-10V | DS710 |
| Leviton | 0-10V | IP710 |
| Lutron | 0-10V | NTSTV-DV |
| Lutron | 0-10V | NFTV |
| Lutron | 0-10V | DVTV-WH |
| Legrand | 0-10V | H4FBL3PW |

Photometric Data

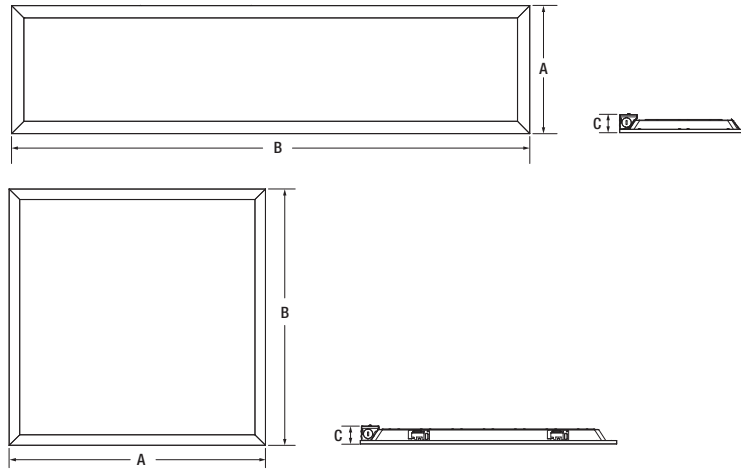
Average Illuminance (FC) at 30" AFF and avg/min uniformity 80/50/20 Reflectances

| | | | 8 ft Mounting Height | | | 10 ft Mounting Height | | | 12 ft Mounting Height | | |
|-------|-----------|---------------------------|---------------------------|----------|----------|-----------------------|----------|----------|-----------------------|----------|----------|
| | | | On Center Fixture Spacing | | | | | | | | |
| | | | 8'x10' | 10'x10' | 10'x12' | 8'x10' | 10'x10' | 10'x12' | 8'x10' | 10'x10' | 10'x12' |
| 1'x4' | 18W | PANELF3B018UNVD8SC714GWH | 30fc/1.5 | 25fc/1.3 | 20fc/2.2 | 29fc/1.6 | 24fc/1.5 | 20fc/2.0 | 28fc/1.7 | 23fc/1.6 | 19fc/1.9 |
| 2'x2' | 18W | PANELF3B018UNVD8SC722GWH | 30fc/1.5 | 25fc/1.3 | 20fc/2.3 | 29fc/1.6 | 24fc/1.5 | 19fc/2.0 | 28fc/1.7 | 23fc/1.6 | 19fc/2.0 |
| 2'x4' | 24W | PANELF3B024UNVD8SC724GWH | 40fc/1.5 | 33fc/1.3 | 27fc/2.2 | 39fc/1.6 | 32fc/1.5 | 26fc/2.0 | 37fc/1.6 | 31fc/1.6 | 25fc/1.9 |
| 1'x4' | 20/30/36W | PANELF4BS036UNHD8SC714GWH | 57fc/1.4 | 47fc/1.2 | 38fc/2.5 | 54fc/1.5 | 45fc/1.3 | 36fc/1.2 | 53fc/1.7 | 43fc/1.6 | 35fc/1.9 |
| 2'x2' | 20/30/36W | PANELF4BS036UNHD8SC722GWH | 55fc/1.4 | 43fc/1.2 | 37fc/2.7 | 53fc/1.5 | 43fc/1.3 | 35fc/2.0 | 51fc/1.6 | 42fc/1.6 | 34fc/1.9 |
| 2'x4' | 30/40/50W | PANELF4BS050UNHD8SC724GWH | 76fc/1.5 | 63fc/1.3 | 51fc/2.3 | 73fc/1.6 | 61fc/1.4 | 50fc/2.0 | 71fc/1.6 | 58fc/1.6 | 48fc/1.9 |

| | | 8 ft Mounting Height | Number of Fixtures |
|------------|---|----------------------|--------------------|
| 8 x 10 OC |  | 60 | |
| 10 x 10 OC |  | 50 | |
| 10 x 12 OC |  | 40 | |

Physical Information

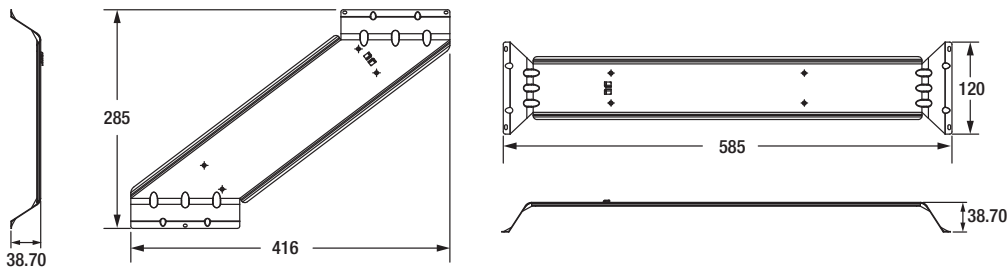
| Lamp Description | (A) Length in (mm) | (B) Width in (mm) | (C) Height in (mm) |
|------------------|--------------------|-------------------|--------------------|
| 1x4 | 12.0 (304) | 47.8 (1214) | 1.8 (45.4) |
| 2x2 | 23.9 (604) | 23.9 (604) | 1.7 (44) |
| 2x4 | 23.9 (604) | 47.8 (1214) | 1.7 (44) |



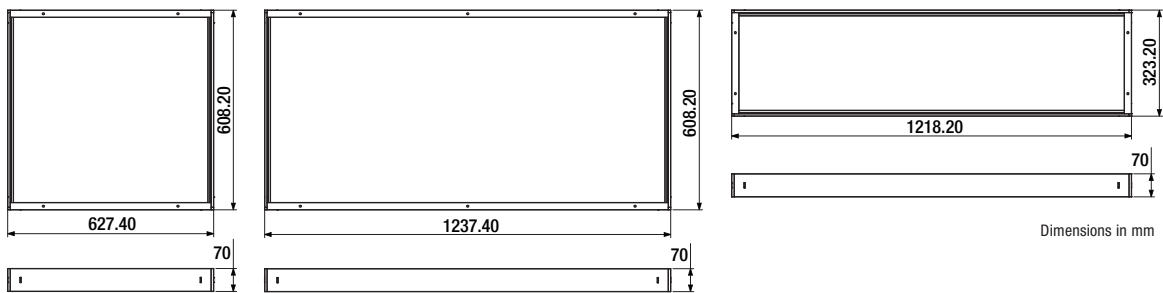
Accessories and Replacement Parts

| Item Number | Ordering Abbreviation | Item Description |
|-------------|-------------------------|--|
| 60888 | EMBB1A8WDC | Field installable emergency battery back-up unit |
| 61682 | ACCPANELF3AEMBB-BRIDGE2 | Metal bridge for installing emergency battery back-up unit to 2x2 and 2x4 panels |
| 61683 | ACCPANELF3AEMBB-BRIDGE1 | Metal bridge for installing emergency battery back-up unit to 1x4 panels |
| 62064 | SMKIT3A/22/WH | Surface Mount Kit for 2x2 Backlit Panel, extruded Aluminum, white finish |
| 62065 | SMKIT3A/24/WH | Surface Mount Kit for 2x4 Backlit Panel, extruded Aluminum, white finish |
| 62066 | SMKIT3A/14/WH | Surface Mount Kit for 1x4 Backlit Panel, extruded Aluminum, white finish |
| 62067 | SPKIT3A | Suspension Kit for Backlit Panels |
| 60457 | FK1A14GWH | Flange Kit for 1x4 Panel |
| 60458 | FK1A22GWH | Flange Kit for 2x2 Panel |
| 60459 | FK1A24GWH | Flange Kit for 2x4 Panel |

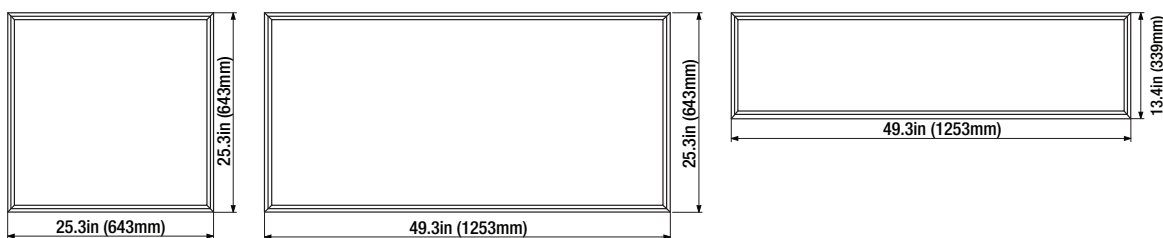
Metal Bridge



Surface Mount Kit



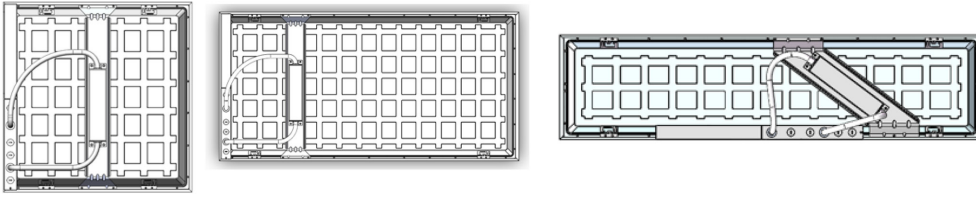
Flange Kit



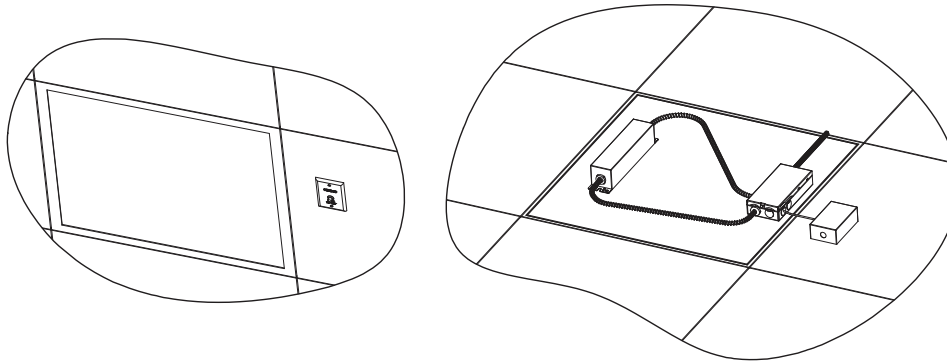
Options Information

Emergency Battery Backup

Emergency Battery Backup: Activates when normal power supply to the fixture fails, providing a minimum of 790 lumens (850 nominal lumens) for at least 90 minutes.



Location of Emergency Test Switch



Additional Specifications

- cETLus listed to UL1598 standards
- IC and damp rated

LEDVANCE LLC
200 Ballardvale Street
Wilmington, MA 01887 USA
Phone 1-800-LIGHTBULB (1-800-544-4828)
www.ledvanceUS.com

SYLVANIA and LEDVANCE are registered trademarks.
All other trademarks are those of their respective owners.
Licensee of product trademark SYLVANIA in general lighting.
Specifications subject to change without notice.

 /sylvania  /sylvania