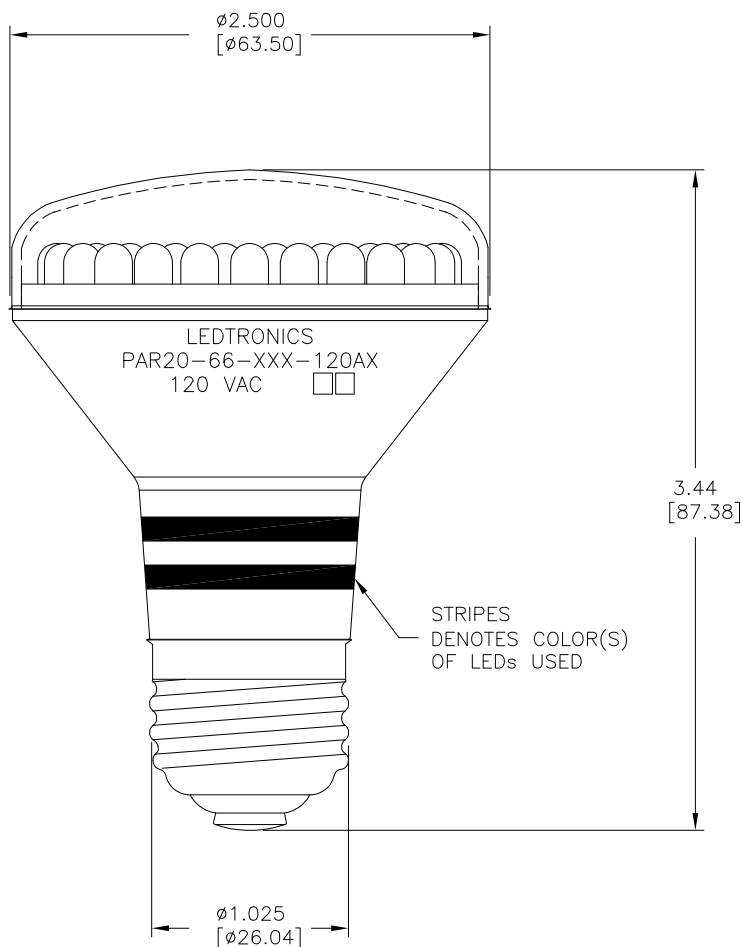


LTR	REVISION	DATE	APPD
-	RELEASED	11-16-10	



NOTES:

1. LENS MATERIAL: POLYCARBONATE LEXAN 141
2. SLEEVE MATERAIL: RYNITE
3. BASE MATERIAL: BRASS, NICKEL PLATED BRASS



PAR20-66-0AG-120AN	AQUA GREEN	120VAC	30-40	525	209	1122	2.5	15° SPOT
PAR20-66-0CW-120AS	COOL WHITE	120VAC	30-40	8000K	-	-	-	-
PAR20-66-0ER-120AS	SUPER RED	120VAC	30-40	633	99	264	2.5	20° SPOT
PAR20-66-2CW-120AN	WHITE	120VAC	30-40	3000K	-	-	-	-
PAR20-66-2IW-120AS	WARM WHITE	120VAC	30-40	3000K	-	-	-	-
PAR20-66-2PB-120AN	SUPER BLUE	120VAC	30-40	470	-	-	-	-
PAR20-66-XCW-120AN	COOL WHITE	120VAC	30-40	8000K	129	517	2.5	20° SPOT
LEDTRONICS PART NO.	COLOR EMITTED	SET VOLTS	READ mA min/max	λP nm	TOTAL LUMENS	MAXIMUM CANDELA	ENERGY USED (WATTS)	FULL VIEWING ANGLE
ELECTRICAL TEST								

LEDTRONICS, INC.
23105 KASHIWA COURT
TORRANCE, CA 90505

-PROPRIETARY-
This document contains Proprietary information of LEDTRONICS, INC. It may not be copied, used or disclosed for any purpose without the prior express written consent of LEDTRONICS, INC.

.XXX ± .010 TOLERANCE PER ANSI-Y14.5
.XX ± .025 (UNLESS OTHERWISE STATED)
ANGLES ± 0°,30'
FRACT. ± 1/32

TITLE PAR20-66-XXX-120AX			
DWG NO	SCALE	SHEET	DATE
PAR0018-CUST	1:1	1 OF 1	11-16-10
CODE IDENT NO.	DWG BY	CHK BY	QA
8Z410	MM 11-16-10		
	MFG	R&D	
		BJ	
			11-16-10