



# Dimmable LED PAR20-Style Spot / Floodlight Bulbs

PAR20-66-xxW-120AxD

Consumes Less than 5 Watts — Up to 90% Power Savings

Direct Drop-In Replacement in PAR20 Fixtures — E26/E27 Base — 20° or 30° Beam

## FEATURES

- **Lamp Warranty:** 3 Years
- **Input Voltage:** 120VAC
- **Solid-State:** Fast Turn-On, No Power Surge
- **Low Energy Consumption:** Less than 5 Watts; Replaces 30-40 Watt Incandescent PAR20 Lamps
- **Long Life:** White LEDs Last up to 50,000 Hours of Continuous Operation
- **Easy Installation:** Using Existing PAR20 Fixtures
- **Sturdily Built:** UV-Stabilized Plastic Lens, Metal Body
- **High Shock / Vibration Resistant,** Both Electrical and Mechanical
- **Optimally Designed** for Linear and Switching "Clean" Power Supplies



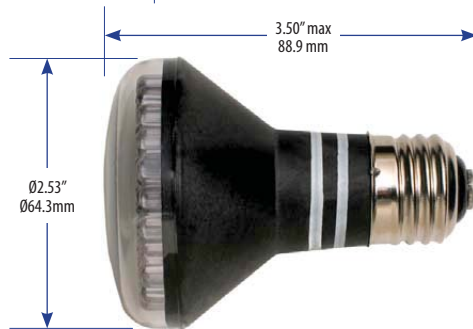
## APPLICATIONS

- Reading Light
- Task Light
- Track Lighting
- Spot Lighting
- Display / Cabinet Lighting
- Architectural Lighting
- Art Gallery and Museum Lighting

## BENEFITS

- **Major Power Savings:** Up to 90% over Incandescents
- **Major Reduction in Heat Generation:** Stays Cooler than Comparable PAR20 Bulbs
- **Clean Light:** Constant Light Output, No Halation
- **Emissions-Free:** No Ultraviolet, No Infrared
- **Reduces Light Pollution:** "Dark Skies" Initiative-Compatible

Ideal for use with Alternate & Renewable Energy Resources: Solar & Wind Power



## CUSTOM OPTIONS For qualified applications & large-quantity OEM orders

- **Other Voltages than Standard 120VAC:** 12/14VDC – 24/28VDC – 240VAC
- **Other LED Beam Angles** for Different Effects
- **Ultraviolet (UV) LEDs** in 395nm or 405 nm
- **Other Colors** Available: Choice of 4 Colors, Infrared (IR) and

(\*Full Beam Width @ 50% Intensity)

## SPECIFICATIONS

SPECIFICATIONS SUBJECT TO CHANGE WITHOUT NOTICE

PART NUMBER	INPUT VOLTAGE	INPUT CURRENT	ENERGY USED	POWER FACTOR	TOTAL LUMENS	MAX. CANDELA	EFFICACY	COLOR TEMP.	EMITTED COLOR	VIEWING ANGLE*
<b>WARM WHITE</b>										
PAR20-66-SIW-120AND	120VAC	36 mA	4.1 Watts	0.953	102 lm	312 cd	25 lm/W	2800K~3200K	Warm White	20°
PAR20-66-SIW-120AMD	120VAC	36 mA	4.1 Watts	1.000	114 lm	263 cd	28 lm/W	2800K~3200K	Warm White	30°
<b>PURE WHITE</b>										
PAR20-66-TPW-120AND	120VAC	36 mA	4.2 Watts	0.954	127 lm	374 cd	30 lm/W	4800K~5200K	Pure White	20°
PAR20-66-TPW-120AMD	120VAC	35 mA	4.1 Watts	1.000	124 lm	271 cd	30 lm/W	4800K~5200K	Pure White	30°

**PAR20-66-SIW-120AND**

**Luminaire Photometric Report**

Filename: PAR20-66-SIW-120AND  
 Manufacturer: LEDTRONICS -  
 Luminaire: WITH CLEAR LENS, 120VAC, 4.1W  
 Luminaire Cat: PAR20-66-SIW-120AND  
 Lamp: LUMEN RATING: 102.0Lms.  
 Lamp Output: 1 lamp(s), rated lamp lumens: 102  
 Max Candela: 312.0 at Horizontal: 0, Vertical: 0  
 Luminous Opening: Point  
 Test: 10-29-09

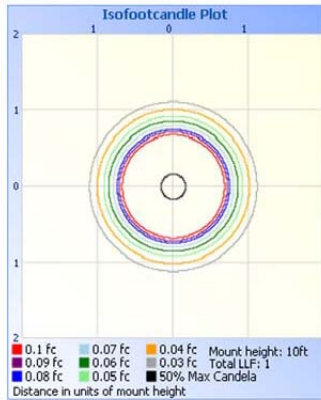
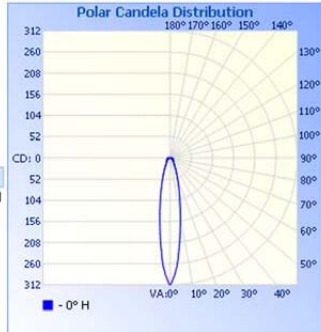
**Flood Summary**

	Efficiency	Lumens	Horizontal Spread	Vertical Spread
Field (10%):	53.4%	54.4	52.4	52.4
Beam (50%):	17.4%	17.7	18.7	18.7
Total:	100%	102.0		

**Illuminance at a Distance**

Center Beam FC	Beam Width
1.7R: 112.32 fc	0.5ft
3.3R: 28.08 fc	1.1ft
5.0R: 12.48 fc	1.6ft
6.7R: 7.02 fc	2.2ft
8.3R: 4.49 fc	2.7ft
10.0R: 3.12 fc	3.3ft

■ Beam Spread: 18.7°



**PAR20-66-SIW-120AMD**

**Luminaire Photometric Report**

Filename: PAR20-66-SIW-120AMD  
 Manufacturer: LEDTRONICS -  
 Luminaire: WITH CLEAR LENS, 120VAC, 4.1W  
 Luminaire Cat: PAR20-66-SIW-120AMD  
 Lamp: LUMEN RATING: 114.0Lms.  
 Lamp Output: 1 lamp(s), rated lamp lumens: 114  
 Max Candela: 263.0 at Horizontal: 0, Vertical: 0  
 Luminous Opening: Point  
 Test: 11-3-09

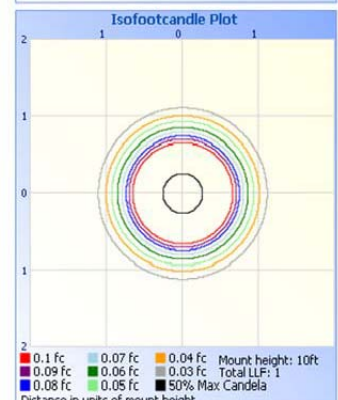
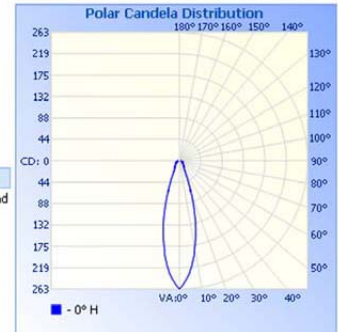
**Flood Summary**

	Efficiency	Lumens	Horizontal Spread	Vertical Spread
Field (10%):	60.6%	69.1	55.7	55.7
Beam (50%):	32.5%	37.0	28.9	28.9
Total:	100%	114.0		

**Illuminance at a Distance**

Center Beam FC	Beam Width
1.7R: 94.68 fc	0.9ft
3.3R: 23.67 fc	1.7ft
5.0R: 10.52 fc	2.6ft
6.7R: 5.92 fc	3.4ft
8.3R: 3.79 fc	4.3ft
10.0R: 2.63 fc	5.1ft

■ Beam Spread: 28.9°



**PAR20-66-TPW-120AND**

**Luminaire Photometric Report**

Filename: PAR20-66-TPW-120AND  
 Manufacturer: LEDTRONICS -  
 Luminaire: WITH CLEAR LENS, 120VAC, 4.2W  
 Luminaire Cat: PAR20-66-TPW-120AND  
 Lamp: LUMEN RATING: 126.9Lms.  
 Lamp Output: 1 lamp(s), rated lamp lumens: 126.9  
 Max Candela: 374.0 at Horizontal: 0, Vertical: 0  
 Luminous Opening: Point  
 Test: 10-28-09

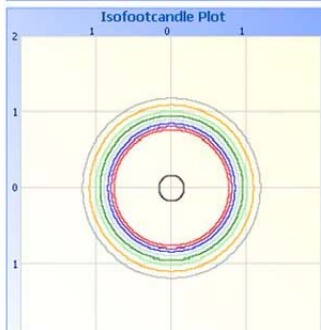
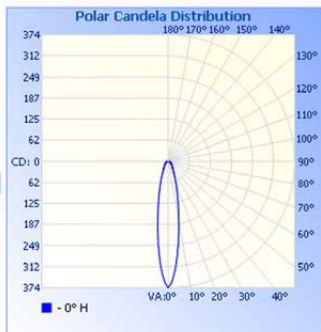
**Flood Summary**

	Efficiency	Lumens	Horizontal Spread	Vertical Spread
Field (10%):	52.9%	67.1	52.2	52.2
Beam (50%):	17.1%	21.7	19.3	19.3
Total:	100%	126.9		

**Illuminance at a Distance**

Center Beam FC	Beam Width
1.7R: 134.64 fc	0.6ft
3.3R: 33.66 fc	1.1ft
5.0R: 14.96 fc	1.7ft
6.7R: 8.42 fc	2.3ft
8.3R: 5.39 fc	2.8ft
10.0R: 3.74 fc	3.4ft

■ Beam Spread: 19.3°



**PAR20-66-TPW-120AMD**

**Luminaire Photometric Report**

Filename: PAR20-66-TPW-120AMD  
 Manufacturer: LEDTRONICS -  
 Luminaire: WITH CLEAR LENS, 120VAC, 4.1W  
 Luminaire Cat: PAR20-66-TPW-120AMD  
 Lamp: LUMEN RATING: 124.4Lms.  
 Lamp Output: 1 lamp(s), rated lamp lumens: 124.4  
 Max Candela: 271.0 at Horizontal: 0, Vertical: 0  
 Luminous Opening: Point  
 Test: 10-28-09

**Flood Summary**

	Efficiency	Lumens	Horizontal Spread	Vertical Spread
Field (10%):	59.9%	74.5	56.8	56.8
Beam (50%):	32%	39.8	29.5	29.5
Total:	100%	124.4		

**Illuminance at a Distance**

Center Beam FC	Beam Width
1.7R: 97.56 fc	0.9ft
3.3R: 24.39 fc	1.8ft
5.0R: 10.84 fc	2.6ft
6.7R: 6.10 fc	3.5ft
8.3R: 3.90 fc	4.4ft
10.0R: 2.71 fc	5.3ft

■ Beam Spread: 29.5°

