



# InfraRed Industrial Heat Incandescent

PAR38 IR 175W E27 240V CL 1CT/12

The Philips infrared incandescent reflector lamps are designed to work in the toughest environment such as farm, bathroom or kitchen and their nearest surrounding. They have a reinforced construction thanks to hard glass use. Their compact form and universal cap base allow them to be used with any suitable equipment. A very good method of generating warmth is by using heat lamps. The Philips infrared lamps provide direct, draught-free warmth to the animals, people, but also food. These benefits have made farmers, consumers and cooks around the world choose Philips infrared lamps, because they are the sturdiest, most efficient lamps available for these applications.

## Product data

### • General Information

Cap-Base	E27 [ E27]
Operating Position	UNIVERSAL [ Any or Universal (U)]
Main Application	Infrared Industrial
Nominal Lifetime (Nom)	5000 h

### • Light Technical

Color Designation	C
-------------------	---

### • Operating and Electrical

Power (Rated) (Nom)	175 W
Voltage (Nom)	240 V

### • Controls and Dimming

Dimmable	Yes
----------	-----

### • Mechanical and Housing

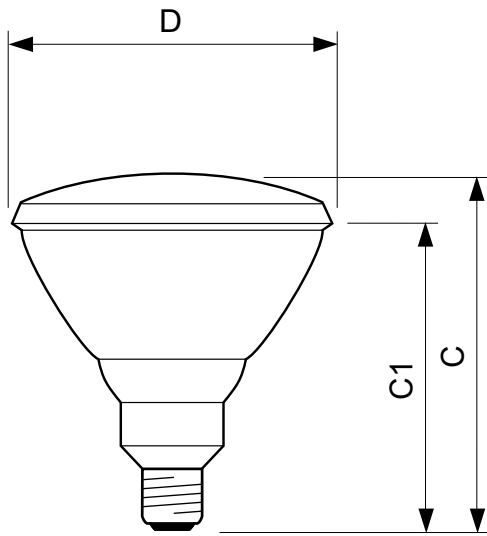
Bulb Finish	Clear (CL)
Bulb Material	Hard Glass

### • Product Data

Full product code	871150012895915
Order product name	PAR38 IR 175W E27 240V CL 1CT/12
EAN/UPC - Product	8711500128959
Order code	923801345506
Numerator - Quantity Per Pack	1
Numerator - Packs per outer box	12
Material Nr. (12NC)	923801345506
Net Weight (Piece)	308.000 g

**PHILIPS**

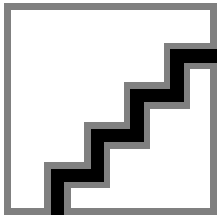
Dimensional drawing



E26/E27, PAR38

PAR38 IR 175W E27 240V CL

Product	D	C	C1
PAR38 IR 175W E27 240V CL 1CT/12	121 mm	136 mm	124 mm



© 2015 Philips Lighting Holding B.V.  
All rights reserved.

Specifications are subject to change without notice. Trademarks are the property of Koninklijke Philips N.V. (Royal Philips) or their respective owners.

[www.philips.com/lighting](http://www.philips.com/lighting)

2015, December 6  
data subject to change