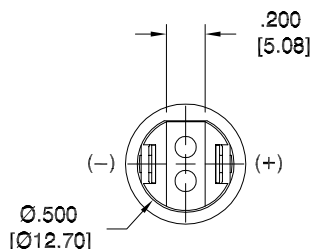
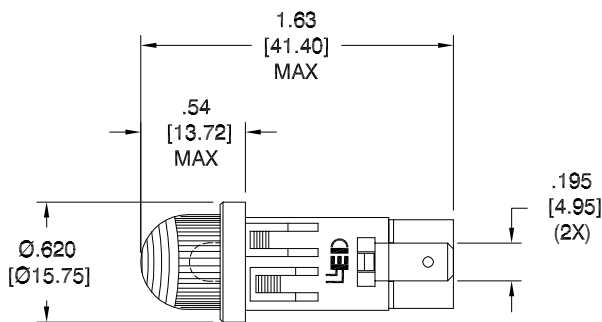
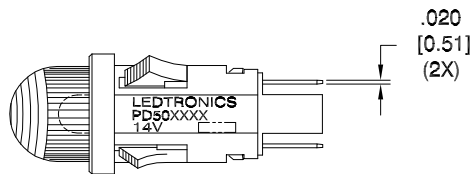


LTR	REVISION	DATE	APPD
A	050418-GP01: REMOVED P/N's	05-14-18	GP



NOTES:

1. ALL DIMENSIONS ARE IN INCHES [MILLIMETERS].
2. MOUNTING DIAMETER: Ø1/2" (12.7mm)
3. LENS MATERIAL: GE LEXAN 101-112 (UL 94V-2)
4. SLEEVE MATERIAL / COLOR: NYLON 66 (UL94V-1 MIN / UL94V-0 PREF) / BLACK
5. HEADER MATERIAL / COLOR: NYLON 66 (UL94V-1 MIN / UL94V-0 PREF) / BLACK
6. TERMINAL MATERIAL: BRASS S.A.E. CA 360, FEDERAL QQ-B-626 ALLOY 360
FINISH: TIN PLATE MIL-T-10727 TYPE I, DULL FINISH, .0001-.00025 THICK.

REVISION NOTIFICATION	
<input type="checkbox"/>	DLC
<input type="checkbox"/>	UL/ETL
<input type="checkbox"/>	MADE IN USA
<input type="checkbox"/>	CUSTOMER _____
<input type="checkbox"/>	OTHER
REDLINE CHECKLIST	
<input type="checkbox"/>	REDLINE(YES)
<input type="checkbox"/>	DATE: _____
<input type="checkbox"/>	INITIATED BY: _____
<input type="checkbox"/>	ECR REQUIRED YES <input type="checkbox"/> NO <input type="checkbox"/>
<input type="checkbox"/>	WORK ORDER# _____

ELECTRICAL-OPTICAL CHARACTERISTICS (Ta = 25°C)

PD50-OAG-014V-T	AQUA GREEN	12/14Vdc(@14Vdc)	0.015 A	5.000cd	520	180°
PD50-OPB-014V-T	SUPER BLUE	12/14Vdc(@14Vdc)	0.015 A	-	463	180°
PD50-OUR-014V-T	ULTRA RED	12/14Vdc(@14Vdc)	0.020 A	0.900cd	652	180°
PD50-1AG-014V-T	AQUA GREEN	12/14Vdc(@14Vdc)	0.015 A	-	520	180°
PD50CR6-14V-T	ULTRA RED	12/14Vdc(@14Vdc)	0.020 A	0.225cd	654	180°
LEDTRONICS PART NO.	COLOR EMITTED	INPUT VOLTAGE, V	CURRENT (A)	MAXIMUM CANDELA	λP nm	VIEWING ANGLE (FULL BEAM WIDTH @ 50% INTENSITY)

LED[®]
LEDTRONICS,™ INC.
 23105 KASHIWA COURT
 TORRANCE, CA 90505

-PROPRIETARY-
 This document contains Proprietary information of LEDTRONICS,™ INC. It may not be copied, used or disclosed for any purpose without the prior express written consent of LEDTRONICS,™ INC.

.XXX ± .010 TOLERANCE PER ANSI-Y14.5
 .XX ± .025 (UNLESS OTHERWISE STATED)
 ANGLES ± 0°.30'
 FRACT. ± 1/32

TITLE						
PD50-XXX-014V-T						
DWG NO	SCALE	SHEET	DATE			
PD50-14VDC-T	1:1	1 OF 1	06-10-10			
CODE IDENT NO.	DWG BY	CHK BY	QA	MFG	R&D	
8Z410	06-10-10		EE	LD	KS	
			05-17-18	05-16-18	05-16-18	