

PDS-60ca 24 V

Date: _____
Type: _____
Firm Name: _____
Project: _____

DMX/Ethernet

POWER/DATA SUPPLY

Power/data supply for indoor and outdoor applications

PDS-60ca 24 V DMX/Ethernet is a versatile power/data supply designed for indoor and outdoor LED lighting luminaires employing Chromasic technology from Color Kinetics.



- PDS-60ca 24 V works with DMX or Ethernet controllers from Color Kinetics or compatible third-party controllers.
- PDS-60ca 24 V delivers 60 watts of power and automatically accommodates input voltages ranging from 100 VAC to 240 VAC. Short-circuit protection prevents device failure due to incorrectly wired luminaires.
- Featuring a NEMA 4 (IP66) enclosure, PDS-60ca 24V installs in dry, damp, and wet locations.
- PDS-60ca 24 V offers multiple standard-size conduit entries to accommodate 1/2 in (13 mm) and 3/4 in (19 mm) trade-sized conduit.

For more information, please refer to
www.colorkinetics.com/ls/pds/pds60ca24/

Specifications

Due to continuous improvements and innovations, specifications may change without notice.

Electrical

Input Voltage	100 to 240 VAC, auto-ranging, 50/60 Hz*
Maximum Input Current	1.7 A at 100 VAC, 1.5 A at 120 VAC, 0.75 A at 240 VAC
Fuse Rating	(2) 4 A, 5 x 20 fast blow fuses
Power Output	24 VDC, 62 W maximum

Connections

Data Input Source	Color Kinetics full range of Ethernet controllers, or KiNET-compatible* third-party Ethernet controllers
Power Input	Line-neutral-ground cable, flying leads
Power Output	(2) 4-pin output receptacles
Data Input	RJ-45 input and output connectors

Compatible Luminaires

eW Flex Micro	120 Nodes
eW Flex Compact	60 Nodes
iColor Flex LMX	60 Nodes

* KiNET is the Ethernet lighting protocol from Color Kinetics.

Physical

Dimensions	91 x 140 x 224 mm (3.6 x 5.5 x 8.8 in)
	<i>(Height x Width x Depth)</i>
Weight	2 kg (4.5 lb)
Housing	Cast aluminium enclosure
Mounting	Slots for surface mounting
Finish	Powder-coated gray matte
Operating Temperature	-10 to 40 °C (14 to 104 °F)
Startup Temperature	-10 to 50 °C (14 to 122 °F)
Storage Temperature	-40 to 80 °C (-40 to 176 °F)
Humidity	0 to 95%, non-condensing
Cooling	Convection
Heat Dissipation	25% of total power input at maximum load

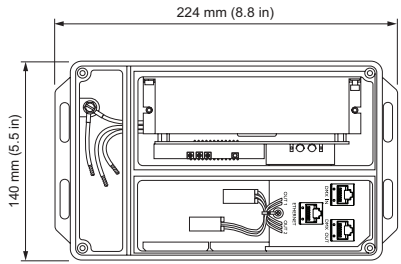
Certification and Safety

Certification	UL/cUL, CE, PSE
Classification	UL Class 2 power supply
Environment	Dry/Damp/Wet Location, IP66

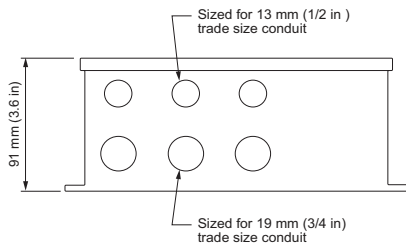
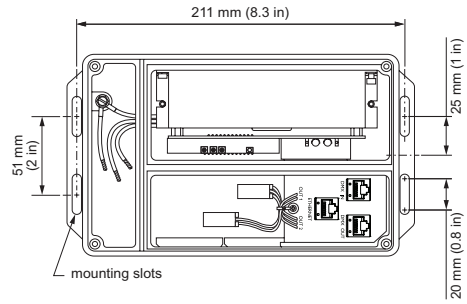


Dimensions

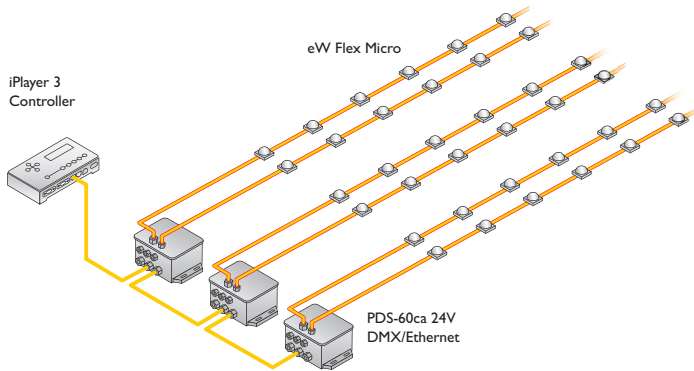
Overall Dimensions



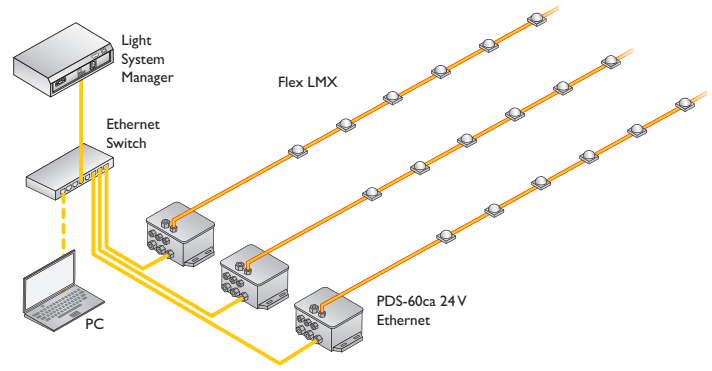
Mounting Dimensions



DMX Configuration



Ethernet Configuration



Part Numbers

Use Item Number when ordering in North America.

Power/Data Supply

	Item Number	Item 12NC
PDS-60ca 24 V DMX/Ethernet	109-000016-04	912400133526
<i>Power/Data Supply, (3) EMI suppression cores, (2) spare fuses, and (8) NPT threaded seal plugs</i>		



© 2019 Signify Holding. All rights reserved. Specifications are subject to change without notice. No representation or warranty as to the accuracy or completeness of the information included herein is given and any liability for any action in reliance thereon is disclaimed.

Color Kinetics
www.colorkinetics.com