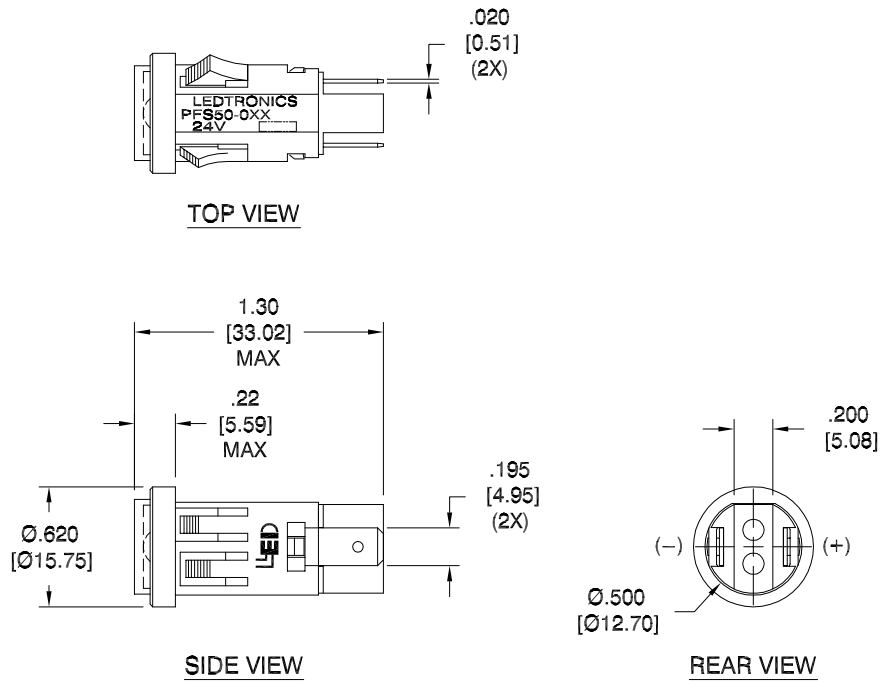


LTR	REVISION	DATE	APPD
A	050418-GP01: REMOVED P/N's	05-10-18	GP



NOTES:

1. ALL DIMENSIONS ARE IN INCHES [MILLIMETERS].
2. MOUNTING DIAMETER: Ø1/2" (12.7mm)
3. LENS MATERIAL: GE LEXAN 101-112
4. SLEEVE MATERIAL / COLOR: NYLON 66 (UL94V-1 MIN / UL94V-0 PREF) / BLACK
5. HEADER MATERIAL / COLOR: NYLON 66 (UL94V-1 MIN / UL94V-0 PREF) / BLACK
6. TERMINAL MATERIAL: BRASS S.A.E. CA 360, FEDERAL QQ-B-626 ALLOY 360
FINISH: TIN PLATE MIL-T-10727 TYPE I, DULL FINISH, .0001-.00025 THICK.

REVISION NOTIFICATION	
<input type="checkbox"/>	DLC
<input type="checkbox"/>	UL/ETL
<input type="checkbox"/>	MADE IN USA
<input type="checkbox"/>	CUSTOMER _____
<input type="checkbox"/>	OTHER
REDLINE CHECKLIST	
<input type="checkbox"/>	REDLINE(YES)
<input type="checkbox"/>	DATE: _____
<input type="checkbox"/>	INITIATED BY: _____
<input type="checkbox"/>	ECR REQUIRED YES <input type="checkbox"/> NO <input type="checkbox"/>
<input type="checkbox"/>	WORK ORDER# _____

ELECTRICAL-OPTICAL CHARACTERISTICS (Ta = 25°C)

PFS50-0AG-024V-T	AQUA GREEN	24Vdc	0.015 A	-	520	180°
PFS50-0CW-024V-T	COOL WHITE	24Vdc	0.015 A	-	8000K	180°
PFS50-0UO-024V-T	SUPER ORANGE	24Vdc	0.020 A	-	613	180°
PFS50-0UR-024V-T	ULTRA RED	24Vdc	0.020 A	-	652	180°
PFS50-0UY-024V-T	SUPER YELLOW	24Vdc	0.020 A	-	595	180°
LEDTRONICS PART NO.	COLOR EMITTED	INPUT VOLTAGE, V	CURRENT (A)	MAXIMUM CANDELA	λP nm COLOR TEMP. (K)	VIEWING ANGLE (FULL BEAM WIDTH @ 50% INTENSITY)

<p>LEDTRONICS,™ INC. 23105 KASHIWA COURT TORRANCE, CA 90505</p>	<p>-PROPRIETARY- This document contains Proprietary information of LEDTRONICS,™ INC. It may not be copied, used or disclosed for any purpose without the prior express written consent of LEDTRONICS,™ INC.</p> <p>.XXX ± .010 TOLERANCE PER ANSI-Y14.5 .XX ± .025 (UNLESS OTHERWISE STATED) ANGLES ± 0°,30' FRACT. ± 1/32</p>	<p>TITLE PFS50-0XX-024V-T</p>					
		DWG NO	SCALE	SHEET	DATE		
		PFS50-24VDC-T	1:1	1 OF 1	11-05-09		
CODE IDENT NO.	DWG BY	CHK BY	QA	MFG	R&D		
8Z410	GP 11-05-09		EE 05-17-18	LD 05-16-18	KS 05-16-18		